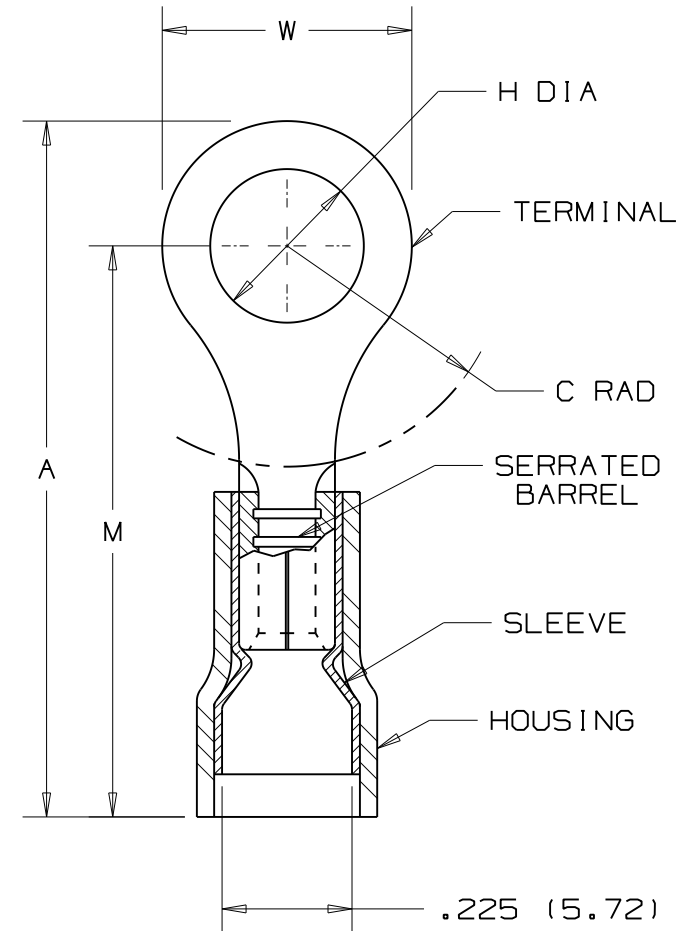


| PANDUIT PART NUMBER | MILITARY PART NO. AND CLASS | STUD SIZE | DIMENSIONS in. | | | | |
|---------------------|-----------------------------|-----------|-----------------|----------------|----------------|-----------------|----------------|
| | | | A ±.04 | W ±.01 | C MIN | M ±.04 | H ±.01 |
| PNF10-6R | MS25036-111 CLASS 1 & 2 | #6 | 1.06 (26.92) | .37 (9.40) | .31 (7.87) | .88 (22.35) | .15 (3.81) |
| PNF10-8R | MS25036-156 CLASS 1 & 2 | #8 | 1.06 (26.92) | .37 (9.40) | .31 (7.87) | .88 (22.35) | .17 (4.32) |
| PNF10-10R | MS25036-112 CLASS 1 & 2 | #10 | 1.06 (26.92) | .37 (9.40) | .31 (7.87) | .88 (22.35) | .20 (5.08) |
| PNF10-14R | MS25036-157 CLASS 1 & 2 | 1/4" | 1.21 (30.73) | .52 (13.21) | .38 (9.65) | .95 (24.13) | .27 (6.86) |
| PNF10-56R | MS25036-113 CLASS 1 & 2 | 5/16" | 1.21 (30.73) | .52 (13.21) | .38 (9.65) | .95 (24.13) | .34 (8.64) |
| PNF10-38R | MS25036-114 CLASS 1 & 2 | 3/8" | 1.29 (32.77) | .58 (14.73) | .43 (10.92) | 1.00 (25.40) | .40 (10.16) |

NOTES:

- UL LISTED AND CSA CERTIFIED FOR:
 - 600V. MAX. BLDG. WIRE (1000V. MAX. IN SIGNS, FIXTURES & LUMINARIES)
 - 221°F. (105°C) MAX. TEMP. RATING
 - #12-10 AWG SOLID OR STRANDED COPPER WIRE WITH THE CT-550 INSTALLATION TOOL
 - #12-10 AWG STRANDED AND #12 AWG SOLID COPPER WIRE WITH THE CT-1550 AND CT-1551 INST. TOOLS
 - #12-10 AWG SOLID OR STRANDED COPPER WIRE WITH THE CT-100 INSTALLATION TOOL.
 - MIL CLASS 2 WITH THE CT-460 INSTALLATION TOOL
- MATERIAL:
 - STAMPING- .04" (1.02) THK. COPPER, TIN PLATED
 - HOUSING- NYLON, YELLOW
 - SLEEVE- BRASS, TIN PLATED
- WIRE STRIP LENGTH- 9/32" +1/32, -0 (7.1, +.8, -0)
- SEE www.panduit.com FOR PART NUMBER SUFFIX DESIGNATION FOR PACKAGE SIZE.
- DIMENSIONS IN PARENTHESIS ARE IN MILLIMETERS

Panduit part numbers shown on this drawing meet the material requirements of RoHS (EUROPEAN DIRECTIVES 2002/95/EC) as proposed by the Technical Adaptation Committee



LISTED
587H
E52164



CERTIFIED
LR31212

| | | | | | | | | |
|-----|------|-----|-----|---------------|-------|------|----|--|
| | | | | | | | | |
| 07 | 5/11 | SRB | | ADDED note #4 | | | | |
| REV | DATE | BY | CHK | DESCRIPTION | ECN # | CUST | PM | |

PANDUIT

CORP.

TINLEY PARK, ILLINOIS

#12-10 NYLON INSULATED FUNNELED WIRE ENTRY RING TONGUE, .225 (5.72) MAX. WIRE INSULATION DIAMETER

| | | | |
|----------|-------|-------|-------------|
| DRAWN BY | CHK'D | SCALE | DRAWING NO. |
| DAW | RLS | NONE | A41277 |