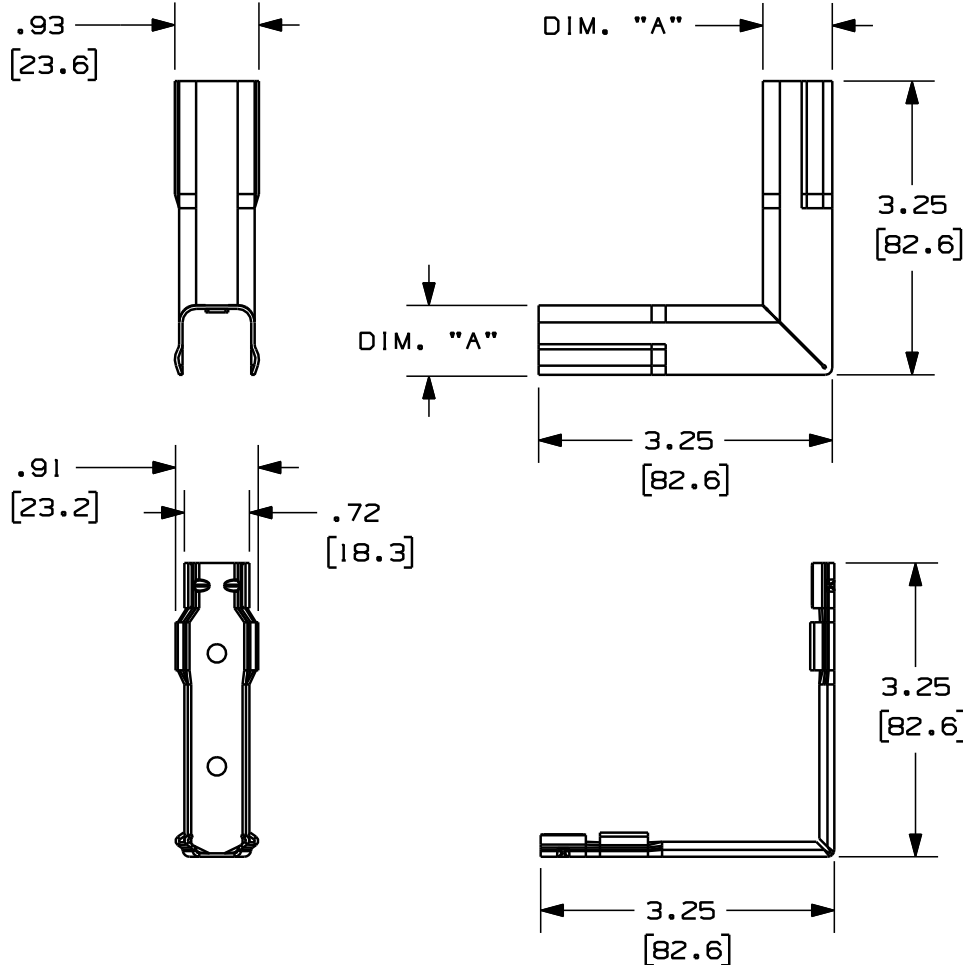


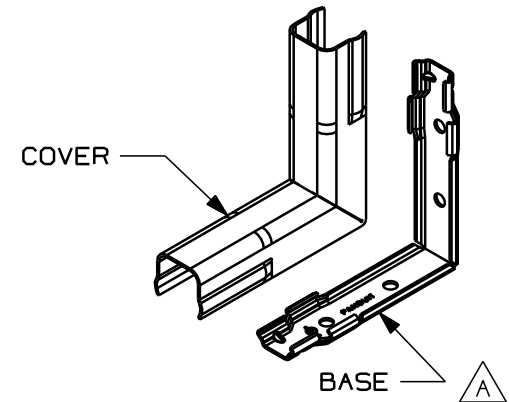
THIS COPY IS PROVIDED ON A RESTRICTED BASIS AND IS NOT TO BE USED IN ANY WAY DETRIMENTAL TO THE INTERESTS OF PANDUIT CORP.



PANDUIT PART NO.	DIM. "A"	WEIGHT
PMR51C**	.65 (16.5)	.18 lbs / EACH (81.6 g / EACH)
PMR71C**	.77 (19.6)	.20 lbs / EACH (90.7 g / EACH)

NOTES:

1. SEE CURRENT CATALOG FOR ADDITIONAL PART NUMBER SUFFIXES TO INDICATE COLOR AND/OR PACKAGE QUANTITY.
2. DIMENSIONS IN PARENTHESIS ARE METRIC.
3. THIS PRODUCT IS INTENDED TO BE USED WITH PANDUIT PMR5 AND PMR7.
4. MINIMAL WALL THICKNESS .036 (.91).



CAD FILENAME/LAYERS D39271BC\_DC\_INSIDE\_CORNER/01B.PRT

**PANDUIT** CORP. TINLEY PARK, ILLINOIS  
 SINGLE CHANNEL METAL  
 INSIDE CORNER FITTING (PMR51C & PMR71C)  
 CUSTOMER DRAWING

UNLESS OTHERWISE SPECIFIED, DIMENSIONAL TOLERANCES ARE:  
 (.X1) ± (.XXX) ±  
 (.XX) ± .03 (|.8) ANGLES ±

UNLESS OTHERWISE SPECIFIED, ALL DIMENSIONS ARE GIVEN IN INCHES, THIRD ANGLE PROJECTION.

2	05-25-07	BDK	JBN	RELEASED TO PRODUCTION	39271-03	RTF	RTF													
1	03-27-07	JH	JBN	A. REVISED BASE PART GEOMETRY.																
R	09-06-06	JH	JBN	DRAWING RELEASED																
REV	DATE	BY	CHK	DESCRIPTION	ECN	CHK	CUST	SUP	CHK'D	JBN	MAT'L:	STEEL	SCALE	NONE	DRAWING NO.	39271-03	DWG	A	SIZE	