



Features

- Formerly **J. W. Miller**® model
- Available in E12 series
- Unit height of 5.2 mm
- Current up to 4.5 A
- RoHS compliant*

Applications

- Input/output of DC/DC converters
- Power supplies for:
 - Portable communication equipment
 - Camcorders
 - LCD TVs

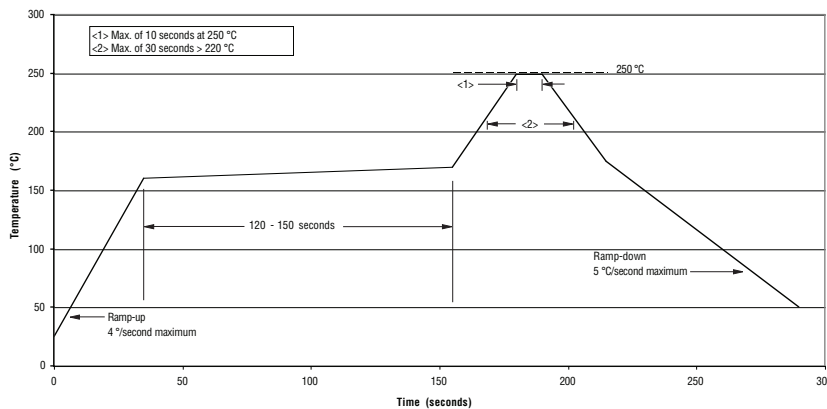
BOURNS®

PM3316S Series - Shielded Power Inductors

Electrical Specifications

Bourns Part No.	Inductance 1 kHz		Q Ref.	Test Frequency (MHz)	SRF Min. (MHz)	RDC (Ω)	Irms Max. (A)	Isat Typ. (A)
	(μH)	Tol. %						
PM3316S-1R0M-RC	1.0	± 20	25	7.96M	120	0.017	4.50	8.00
PM3316S-1R5M-RC	1.5	± 20	25	7.96M	100	0.020	3.60	7.00
PM3316S-2R2M-RC	2.2	± 20	25	7.96M	90.0	0.027	3.10	6.10
PM3316S-3R3M-RC	3.3	± 20	25	7.96M	75.0	0.039	3.30	3.90
PM3316S-4R7M-RC	4.7	± 20	25	7.96M	50.0	0.040	2.50	3.80
PM3316S-6R8M-RC	6.8	± 20	22	7.96M	35.0	0.075	2.20	2.80
PM3316S-100M-RC	10	± 20	48	2.52M	30.0	0.065	2.00	3.00
PM3316S-150M-RC	15	± 20	40	2.52M	20.0	0.085	1.70	2.10
PM3316S-220M-RC	22	± 20	42	2.52M	18.0	0.100	1.40	1.90
PM3316S-330M-RC	33	± 20	40	2.52M	15.0	0.160	1.20	1.56
PM3316S-470M-RC	47	± 20	35	2.52M	12.0	0.190	1.00	1.30

Soldering Profile



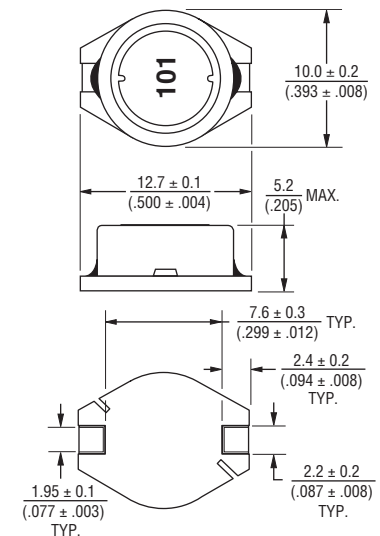
General Specifications

Test Voltage 1 V
 Reflow soldering 250 °C; 10 sec max.
 (In compliance with JEDEC, J-STD-020C, Table 4-2)
 Operating Temperature -40 °C to +125 °C
 (Temperature rise included)
 Storage Temperature .. -40 °C to +125 °C
 Resistance to Soldering Heat 250 °C, 10 sec. max.
 Moisture Sensitivity Level 2
 ESD Classification (HBM) N/A

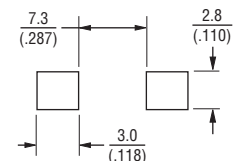
Materials

Core Ferrite DR and RI core
 Wire Enameled copper
 Base DAP
 Terminal Cu/Ni/Sn
 Rated Current Ind. drop 10 % typ. at Isat
 Temp. Rise 40 °C max. at rated Irms
 Packaging 500 pcs. per reel

Product Dimensions



Recommended Layout



DIMENSIONS: $\frac{\text{MM}}{\text{(INCHES)}}$

*RoHS Directive 2002/95/EC Jan. 27, 2003 including annex and RoHS Recast 2011/65/EU June 8, 2011.

Specifications are subject to change without notice.

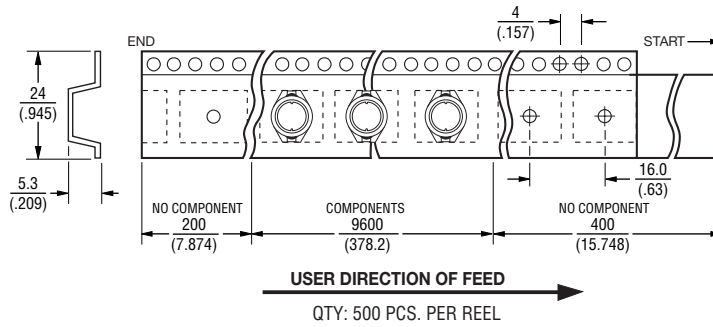
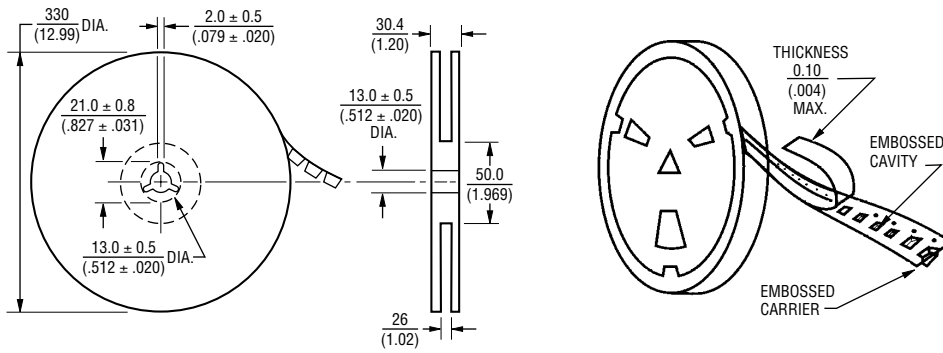
The device characteristics and parameters in this data sheet can and do vary in different applications and actual device performance may vary over time.

Users should verify actual device performance in their specific applications.

PM3316S Series - Shielded Power Inductors

BOURNS®

Packaging Specifications



DIMENSIONS: $\frac{\text{MM}}{\text{(INCHES)}}$

REV. 03/18

Specifications are subject to change without notice.

The device characteristics and parameters in this data sheet can and do vary in different applications and actual device performance may vary over time.

Users should verify actual device performance in their specific applications.