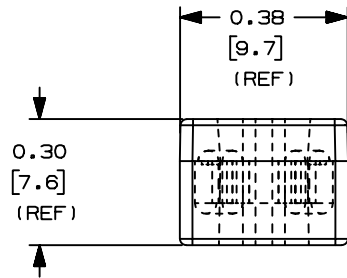


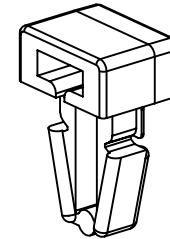
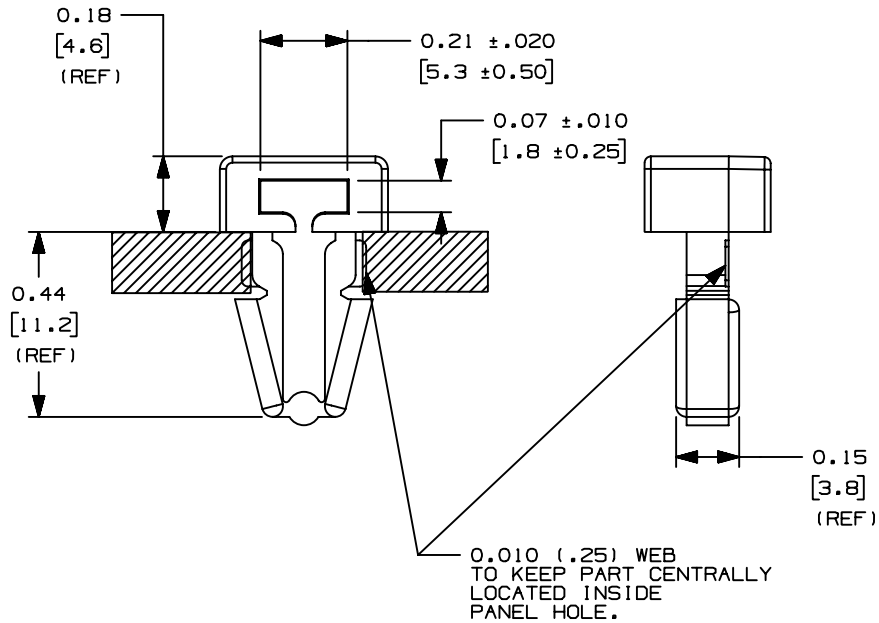
THIS COPY IS PROVIDED ON A RESTRICTED BASIS AND IS NOT TO BE USED IN ANY WAY DETRIMENTAL TO THE INTERESTS OF PANDUIT CORP.



PANDUIT PART NO.	USE WITH THESE CABLE TIE CROSS-SECTIONS	PANEL DIMENSIONS		WEIGHT (g) lbs/100pcs.
		THICKNESS In (mm)	HOLE SIZE In (mm)	
PM2H25	MINIATURE INTERMEDIATE STANDARD	.125 (3.2)	.250±.005 (6.4±.131)	.10 (45)

NOTES:

- SEE CURRENT PRICE SHEET FOR PART NUMBER SUFFIX DESIGNATION FOR PACKAGE SIZE.



DIMENSIONS IN BRACKETS ARE METRIC [mm]			
CAD FILENAME/LAYERS G002391J_PB_PM2H25_00.PRT			
PANDUIT CORP.		TINLEY PARK, ILLINOIS	
PUSH MOUNT		PM2H25	
UNLESS OTHERWISE SPECIFIED, DIMENSIONAL TOLERANCES ARE: (.X) ±0.05 (1.3) (.XXX) ±0.010 (0.25) (.XX) ±0.02 (0.5) ANGLES ± 5°		UNLESS OTHERWISE SPECIFIED, ALL DIMENSIONS ARE GIVEN IN INCHES, THIRD ANGLE PROJECTION.	
DRAWN BY LGG	MAT'L:	SCALE 2X	
DATE 01/10/02	NYLON 6/6	DRAWING NO.	DWG SIZE
CHK'D		G002391J	A

REV	DATE	BY	CHK	DESCRIPTION	ECN	R	CUST	SUP
R	01/10/02	LGG		INITIAL RELEASE REPLACED SS-888	G002391J	R		