

# PM1 Series



## Features:

- RFI Filter Module Combines IEC Connector, Fusing, Optional Voltage Select and On/Off Switch into a Single, Space-Efficient Assembly
- Enhanced Low Frequency Response with No Resonant Peaks
- Fully Shielded for Radiative Noise Control
- Accepts Either U.S. or European Standard Fuse Sizes. Dual or Single Power Line Fusing
- Meets IEC 60601 Standard and Meets UL 544 Specification for Medical and Dental Applications

## Specifications:

**Rated Voltage:** 250VAC Maximum - 50/60 Hz

**Rated Current:** 115VAC 250VAC  
10A 10A

**Current Overload:** 6X for 8 seconds

### Hi-Pot Test (1 min):

Line to Ground 1500VAC  
Line to Line 2250VDC

**Insulation Resistance:**  $9 \times 10^9 \Omega$  at 100VDC

**Ambient Temperature:** 40°C Max at rated current

**Humidity Range:** 0% to 95% R.H.

### Termination:

- QC – Quick Connect
- IEC Receptacle

### Maximum Leakage Current:

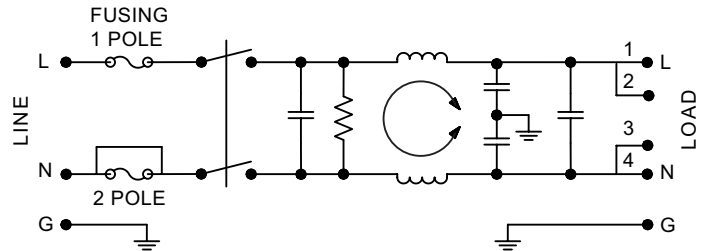
Each Line to Ground	PM1	PM1-PO
115VAC, 60Hz:	0.002mA	0.015mA
250VAC, 50Hz:	0.005mA	0.025mA

**Voltage Select Card:** Installed in 120VAC position unless otherwise specified

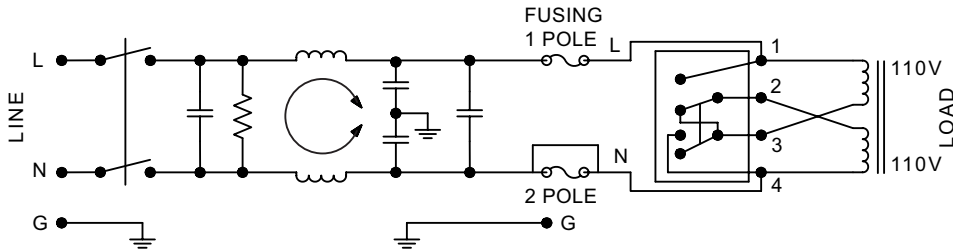
### Agency Approvals:



**PM1 Series Simplified Schematic without Voltage Selector**



**PM1 Series Simplified Schematic with Voltage Selector**



Nominal Current Rating	Part Number	Termination Line/Load	MINIMUM INSERTION LOSS - dB (50 ohm Circuit)								
			MODE	Frequency - MHz						10	30
				.05	.15	.50	.10	5.0			
10A	PM1XXX10	IEC/QC	Common	10	20	30	33	25	20	15	
	Differential	10	20	30	35	55	60	55			
10A	PM1XXXP0	IEC/QC	Common	123	234	30	35	25	25	30	
	Differential	10	20	30	35	65	65	55			

NOTE: Other combinations of terminals may be specified on special order.

Combination

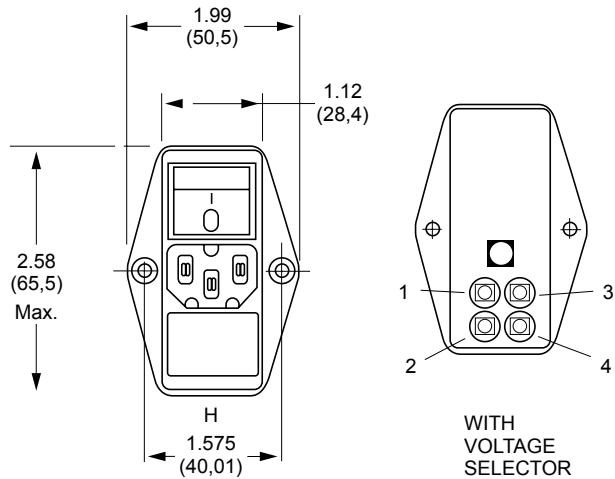
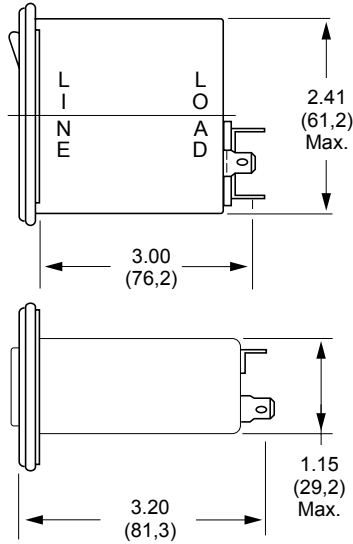
MEDICAL FILTERS



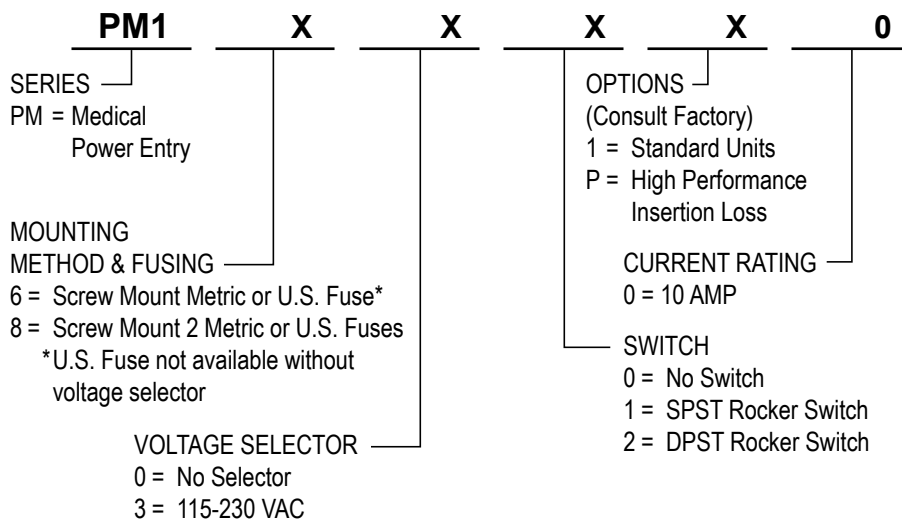


## PM1 (10Amp) Dimensions

Refer to Page 82  
for Standard  
Mounting Cutouts



## How to Order



## INSTALLATION INSTRUCTION IMPORTANT – CHANGING FUSE/VOLTAGE

### PM1

To change fuse, remove power cord. Remove voltage selector and replace fuse. Reinsert fuse holder. To change the operating voltage on the PM1 Series, remove the power cord and rotate fuse holder block until desired voltage aligns with the mark on the module housing.

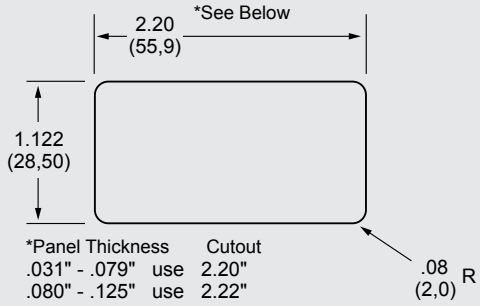
- **Filter shipped without fuse.**

**Always use caution when selecting and changing fuses and voltage requirements. Curtis Industries is not responsible for malfunction due to improper installation/selection of fuse and/or voltage select.**

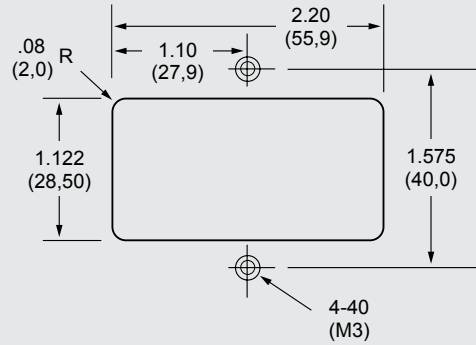


# Standard Mounting Cutouts

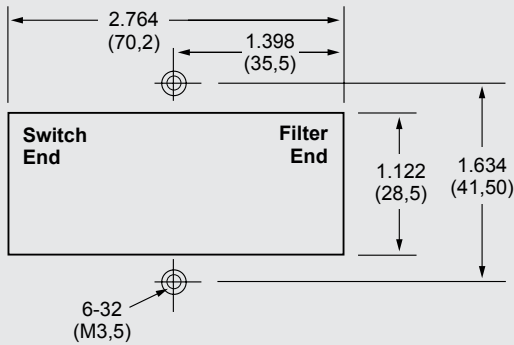
## PM7/PM8 Snap-Mount Series



## PM7/PM8 Screw Mount Series



## PM9 Screw Mount Series



## PM1 Screw Mount Series

