

# PM OPEN STYLE POWER RELAYS

CLASS  
PM

UP TO 35 AMPS AC, UP TO 20 AMPS DC

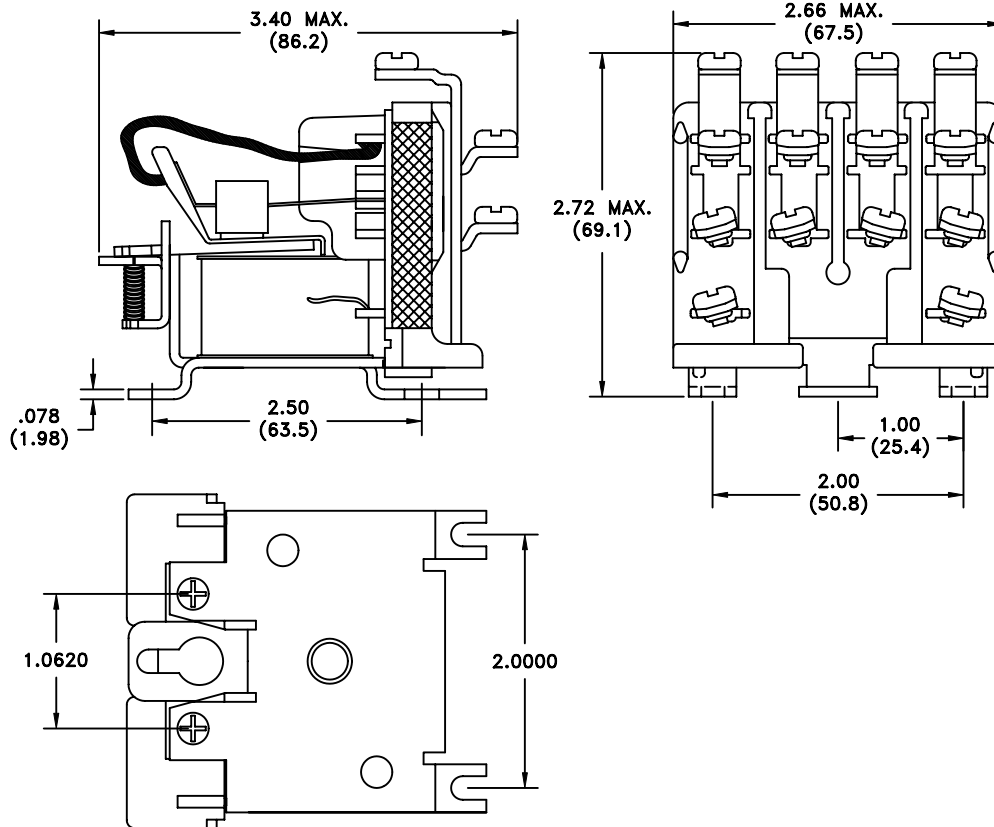
**UL** US  
UL Recognized  
File No. E43641

**UL** US  
LISTED 367G  
IND. CONT. EQ.

\*4PDT POWER RELAY  
RATING TO 35 AMPS

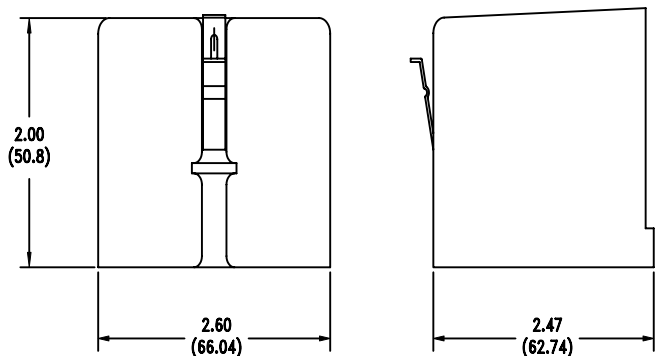
\*QC TERMINATIONS  
8-32 SCREW OR 0.250

\*PLASTIC COVER AVAILABLE



## STRUTHERS-DUNN

|                      |  |  |     |   |   |      |
|----------------------|--|--|-----|---|---|------|
| CLASS:               | PM   |  | -17 | A | Y | -120 |
| TYPE:                | LEAVE BLANK=OPEN RELAY WITH SCREW TERMINAL<br>T = OPEN RELAY WITH 0.250" (6.35mm) QUICK CONNECT TERMINALS.<br>C = PLASTIC DUST COVER |  |     |   |   |      |
| CONTACT ARRANGEMENT: | 17=4 FORM C (4PDT)   |  |     |   |   |      |
| CONTACT INPUT:       | A = AC, D = DC   |  |     |   |   |      |
| CONTACT MATERIAL:    | Y = SILVER ALLOY   |  |     |   |   |      |
| COIL VOLTAGE:        | UP TO 240 ADD "A" FOR AC COILS<br>UP TO 125 ADD "D" FOR DC COILS   |  |     |   |   |      |



(OPTIONAL) PLASTIC DUST COVER  
PART NUMBER 35D203

# PM OPEN STYLE POWER RELAYS

CLASS  
PM

## UP TO 35 AMPS AC, UP TO 20 AMPS DC

 **UL** US  
UL Recognized  
File No. E43641

 **UL** US  
LISTED 367G  
IND. CONT. EQ.

### CONTACT LOAD RATINGS TABLE

|                             |                       |
|-----------------------------|-----------------------|
| UP TO 277 VAC 50/60Hz       | 35 A, RESISTIVE (AC1) |
| 28 VDC                      | 20 A, RESISTIVE (DC1) |
| MOTOR LOAD, 240 VAC 50/60Hz | 1 1/2 HP              |
| MOTOR LOAD, 480 VAC 50/60Hz | 2 HP                  |
| TUNGSTEN, 240 VAC 50/60Hz   | 10 A                  |

### GENERAL SPECIFICATIONS (@ 25<sup>0</sup> C)

#### COIL

|                         |   |
|-------------------------|---|
| Pull-in Voltage:        | Coil voltage Minimum operate<br>AC: 85%<br>DC: 80%      |
| Pull-in Voltage:        | DC: 80% of Nominal measured at 25 <sup>0</sup> C        |
| Dropout Voltage:        | AC: 10% of Nominal voltage or more at 25 <sup>0</sup> C |
| Dropout Voltage:        | DC: 10% of Nominal voltage or more at 25 <sup>0</sup> C |
| Maximum Voltage:        | ± 110%  |
| Resistance Tolerance:   | ± 10% at 25 <sup>0</sup> C                              |
| Coil Power (50/60Hz):   | AC: 14 Va   |
| Coil Power:             | DC: 4.4 W   |
| Insulation System       |   |
| Per UL S standard 1446: | Class B (130 <sup>0</sup> C)                            |
| Duty:                   | Continuous  |

#### CONTACTS

|                           |                     |
|---------------------------|---------------------|
| Material:                 | Silver Alloy        |
| Minimum Recommended Load: | 1 amp @ 5 VDC or 5w |

#### TIMING

|               |                         |
|---------------|-------------------------|
| Operate Time: | 40 ms @ Nominal Voltage |
| Release Time: | 30 ms @ Nominal Voltage |

#### DIELECTRIC STRENGTH

|                        |                                |
|------------------------|--------------------------------|
| Coil to Contacts:      | 2000 V rms                     |
| Across Open Contacts:  | 1500 V rms                     |
| Pole to Pole:          | 1500 V rms                     |
| Cotacts to Frame:      | 2000 V rms                     |
| Insulation Resistance: | 1000 megohms @ 500 VDC Minimum |

#### TEMPERATURE

|                   |  |
|-------------------|--|
| Rated Operations: | -40 <sup>0</sup> C to +50 <sup>0</sup> C (AC)<br>-40 <sup>0</sup> C to +55 <sup>0</sup> C (DC) |
| Storage:          | -55 <sup>0</sup> C to +100 <sup>0</sup> C  |

#### LIFE EXPECTANCY

|             |                                  |
|-------------|----------------------------------|
| Electrical: | 100,000 Operations @ Rated Loads |
| Mechanical: | 10,000,000 Operations @ No Load  |

#### MISCELLANEOUS

|                     |                          |
|---------------------|--------------------------|
| Operating Position: | Any                      |
| Terminal PM:        | #8-32 Comb. Head S screw |
| Terminal PMT:       | .250 Q.C. Terminals      |
| Weight:             | 397 Grams                |

| DC COILS              |                             | AC COILS              |                             |
|-----------------------|-----------------------------|-----------------------|-----------------------------|
| NOMINAL INPUT VOLTAGE | DC RESISTANCE IN OHMS ± 10% | NOMINAL INPUT VOLTAGE | DC RESISTANCE IN OHMS ± 10% |
| 6                     | 8.2                         |                       |                             |
| 12                    | 33                          | 12 VAC 50/60Hz        | 1.4                         |
| 24                    | 132                         | 24 VAC 50/60Hz        | 5.0                         |
| 48                    | 526                         | 120 VAC 50/60Hz       | 120                         |
| 110                   | 2760                        | 240 VAC 50/60Hz       | 587                         |
| 125                   | 3570                        |                       |                             |

# STRUTHERS-DUNN