

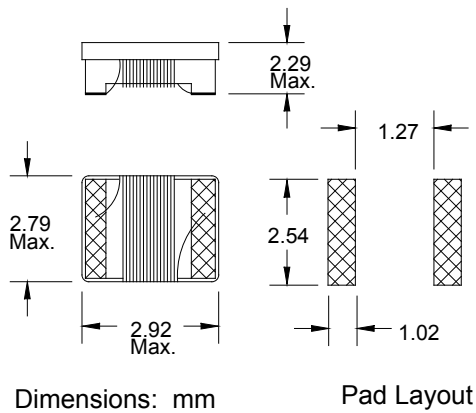
Chip Inductors

Special Features

- Ceramic core
- Wire wound for superior reliability
- High self-resonant frequency
- Very stable electrical characteristic on ceramic core
- Flat top surface for automated pick & place
- Operating temperature -55 to +125°C
- Tape & reel packaged 2000/reel

Notes

- * Current to cause 15°C maximum temperature rise
- ** Crosses to the following Bourns Series
@ www.Bourns.com
PM1008 link to Bourns [CW252016](#)



| PM1008 Series | | | | | | | |
|---------------|----------------|-------------|--------|-------------|--------|------------|----------|
| Part Number | L (nH) ±20% | L Test | | Q Test | | SRF | DCR |
| | | Freq. (MHz) | Q Min. | Freq. (MHz) | Q Min. | (MHz) Min. | (Ω) Max. |
| PM1008-10NM | 10 | 50 | 50 | 500 | 4100 | 0.08 | 1000 |
| PM1008-12NM | 12 | 50 | 50 | 500 | 3300 | 0.09 | 1000 |
| PM1008-15NM | 15 | 50 | 50 | 500 | 2500 | 0.10 | 1000 |
| PM1008-18NM | 18 | 50 | 50 | 350 | 2500 | 0.11 | 1000 |
| PM1008-22NM | 22 | 50 | 55 | 350 | 2400 | 0.12 | 1000 |
| PM1008-27NM | 27 | 50 | 55 | 350 | 1600 | 0.13 | 1000 |
| PM1008-33NM | 33 | 50 | 60 | 350 | 1600 | 0.14 | 1000 |
| PM1008-39NM | 39 | 50 | 60 | 350 | 1500 | 0.15 | 1000 |
| PM1008-47NM | 47 | 50 | 65 | 350 | 1500 | 0.16 | 1000 |
| ±10% | | | | | | | |
| PM1008-56NK | 56 | 50 | 65 | 350 | 1300 | 0.18 | 1000 |
| PM1008-68NK | 68 | 50 | 65 | 350 | 1300 | 0.20 | 1000 |
| PM1008-82NK | 82 | 50 | 60 | 350 | 1000 | 0.22 | 1000 |
| (uH) ±10% | | | | | | | |
| PM1008-R10K | 0.10 | 25 | 60 | 350 | 1000 | 0.56 | 650 |
| PM1008-R12K | 0.12 | 25 | 60 | 350 | 950 | 0.68 | 650 |
| PM1008-R15K | 0.15 | 25 | 45 | 100 | 850 | 0.70 | 580 |
| PM1008-R18K | 0.18 | 25 | 45 | 100 | 750 | 0.77 | 620 |
| PM1008-R22K | 0.22 | 25 | 45 | 100 | 700 | 0.84 | 500 |
| PM1008-R27K | 0.27 | 25 | 45 | 100 | 600 | 0.91 | 500 |
| PM1008-R33K | 0.33 | 25 | 45 | 100 | 570 | 1.05 | 450 |
| PM1008-R39K | 0.39 | 25 | 45 | 100 | 500 | 1.12 | 470 |
| PM1008-R47K | 0.47 | 25 | 45 | 100 | 450 | 1.19 | 470 |
| PM1008-R56K | 0.56 | 25 | 45 | 100 | 415 | 1.33 | 400 |
| PM1008-R68K | 0.68 | 25 | 45 | 100 | 375 | 1.47 | 400 |
| PM1008-R82K | 0.82 | 25 | 45 | 100 | 350 | 1.61 | 400 |
| PM1008-1R0K | 1.0 | 25 | 35 | 50 | 290 | 1.75 | 370 |
| PM1008-1R2K | 1.2 | 7.9 | 35 | 50 | 250 | 2.00 | 340 |
| PM1008-1R5K | 1.5 | 7.9 | 28 | 50 | 200 | 2.30 | 330 |
| PM1008-1R8K | 1.8 | 7.9 | 28 | 50 | 160 | 2.60 | 300 |
| PM1008-2R2K | 2.2 | 7.9 | 28 | 50 | 160 | 2.80 | 290 |
| PM1008-2R7K | 2.7 | 7.9 | 22 | 25 | 140 | 3.20 | 290 |
| PM1008-3R3K | 3.3 | 7.9 | 22 | 25 | 110 | 3.40 | 290 |
| PM1008-3R9K | 3.9 | 7.9 | 20 | 25 | 100 | 3.60 | 260 |
| PM1008-4R7K | 4.7 | 7.9 | 20 | 25 | 90 | 4.00 | 260 |
| PM1008-5R6K | 5.6 | 7.9 | 20 | 25 | 55 | 7.00 | 200 |
| PM1008-6R8K | 6.8 | 7.9 | 20 | 25 | 45 | 8.00 | 180 |
| PM1008-8R2K | 8.2 | 7.9 | 20 | 25 | 35 | 9.50 | 150 |
| PM1008-100K | 10 | 7.9 | 20 | 25 | 25 | 12.0 | 100 |

Also available as RoHS compliant.