

Panel feed-through terminal block - PLW 16-6/ 3-10 - 1821067

Please be informed that the data shown in this PDF Document is generated from our Online Catalog. Please find the complete data in the user's documentation. Our General Terms of Use for Downloads are valid (<http://phoenixcontact.com/download>)



Panel feed-through terminal block, connection method: Push-lock spring connection, Push-in connection, number of positions: 3, load current: 41 A, cross section: 2.5 mm² - 16 mm², AWG 14 - 4, connection direction of the conductor to plug-in direction: 0 °, width: 54.4 mm, color: gray

Your advantages

- ✓ Tool-free lever principle enables time-saving connection and release of conductors with/without ferrules
- ✓ Defined contact force ensures that contact remains stable over the long term
- ✓ Time-saving push-in connection when lever is closed
- ✓ Quick, tool-free mounting on the housing wall using a fixing wedge



Key Commercial Data

Packing unit	1 pc
Minimum order quantity	15 pc
GTIN	 4 046356 788199
GTIN	4046356788199
Weight per Piece (excluding packing)	86.670 g
Custom tariff number	85369010
Country of origin	Slovakia

Technical data

General

Number of levels	1
Number of connections	6
Nominal cross section	16 mm ²
Color	gray
Insulating material	PA

Panel feed-through terminal block - PLW 16-6/ 3-10 - 1821067

Technical data

General

Flammability rating according to UL 94	V0
Maximum load current	41 A
Degree of pollution	3
Overvoltage category	III
Insulating material group	I
Connection in acc. with standard	IEC 60947-7-1
Nominal current I_N	41 A
Maximum load current	41 A
Nominal voltage U_N	1000 V
Open side panel	No
Number of positions	3

Dimensions

Width	54.4 mm
Pitch	10 mm
Plate thickness	19.26 mm

Connection data

Connection side	outside
Connection method	Push-lock spring connection
Conductor cross section solid min.	2.5 mm ²
Conductor cross section solid max.	16 mm ²
Conductor cross section flexible min.	2.5 mm ²
Conductor cross section flexible max.	25 mm ²
Conductor cross section AWG min.	14
Conductor cross section AWG max.	4
Conductor cross section flexible, with ferrule without plastic sleeve min.	2.5 mm ²
Conductor cross section flexible, with ferrule without plastic sleeve max.	16 mm ²
Conductor cross section flexible, with ferrule with plastic sleeve min.	2.5 mm ²
Conductor cross section flexible, with ferrule with plastic sleeve max.	16 mm ²
Stripping length	18 mm
Connection side	inside
Connection method	Push-in connection
Conductor cross section flexible min.	1.5 mm ²
Conductor cross section flexible max.	6 mm ²
Conductor cross section flexible, with ferrule without plastic sleeve min.	1.5 mm ²
Conductor cross section flexible, with ferrule without plastic sleeve max.	6 mm ²
Conductor cross section flexible, with ferrule with plastic sleeve min.	1.5 mm ²

Panel feed-through terminal block - PLW 16-6/ 3-10 - 1821067

Technical data

Connection data

Conductor cross section flexible, with ferrule with plastic sleeve max.	6 mm ²
Stripping length	15 mm

Standards and Regulations

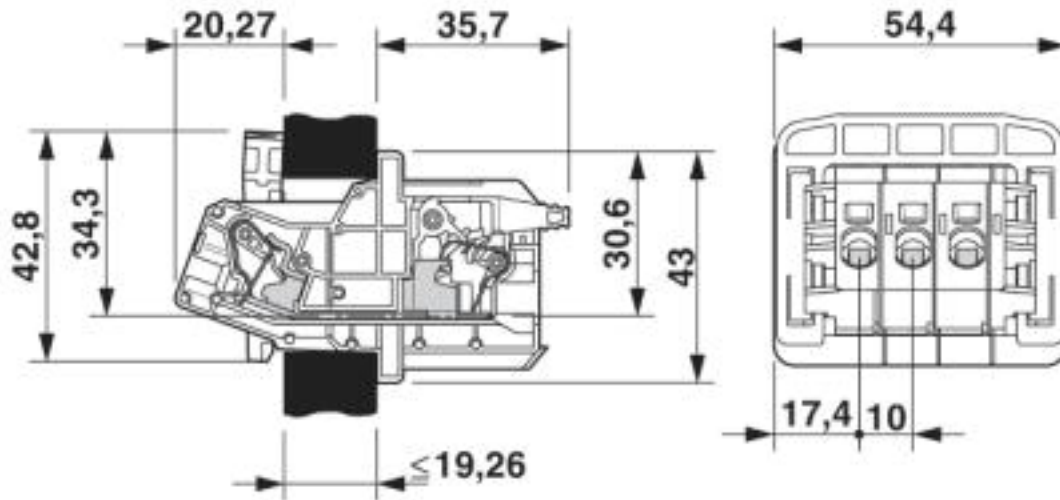
Connection in acc. with standard	IEC 60947-7-1
Flammability rating according to UL 94	V0

Environmental Product Compliance

China RoHS	Environmentally friendly use period: unlimited = EFUP-e
	No hazardous substances above threshold values

Drawings

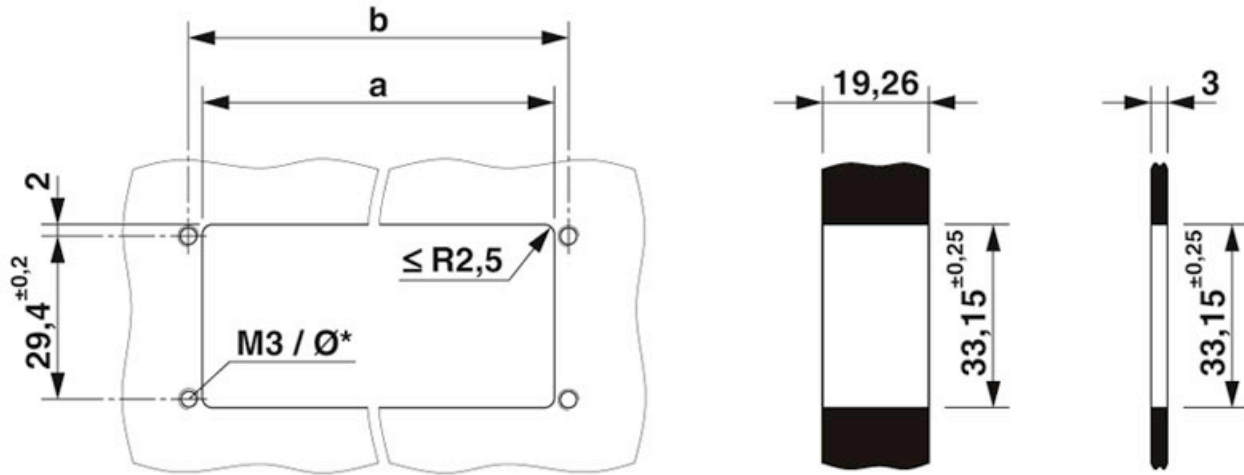
Dimensional drawing



Dimension 54.4 mm for 3-pos. version;
4-pos.: 64.4 mm
5-pos.: 74.4 mm

Panel feed-through terminal block - PLW 16-6/ 3-10 - 1821067

Dimensional drawing



Dimension a = 43.9 mm ±0.25
 Dimension b = 49 mm ±0.2

Classifications

eCl@ss

eCl@ss 4.0	27141100
eCl@ss 4.1	27141100
eCl@ss 5.0	27141100
eCl@ss 5.1	27141100
eCl@ss 6.0	27141100
eCl@ss 7.0	27141134
eCl@ss 8.0	27141134
eCl@ss 9.0	27141134

Panel feed-through terminal block - PLW 16-6/ 3-10 - 1821067

Classifications

ETIM

ETIM 3.0	EC001283
ETIM 4.0	EC001283
ETIM 5.0	EC001283
ETIM 6.0	EC001283
ETIM 7.0	EC001283

UNSPSC

UNSPSC 6.01	30211811
UNSPSC 7.0901	39121410
UNSPSC 11	39121410
UNSPSC 12.01	39121410
UNSPSC 13.2	39121410

Approvals

Approvals


Approvals

EAC / cULus Recognized

Ex Approvals

Approval details

EAC		B.01742
-----	---	---------

cULus Recognized		http://database.ul.com/cgi-bin/XYV/template/LISEXT/1FRAME/index.htm	E60425-20150120
Nominal voltage UN	600 V		
Nominal current IN	40 A		
mm ² /AWG/kcmil	16-6		

Panel feed-through terminal block - PLW 16-6/ 3-10 - 1821067

Accessories

Accessories

Crimping tool

Crimping pliers - CRIMPFOX 6 - 1212034



Crimping pliers, for ferrules without insulating collar according to DIN 46228 Part 1 and ferrules with insulating collar according to DIN 46228 Part 4, 0.25 mm² ... 6.0 mm², lateral entry, trapezoidal crimp

Crimping pliers - CRIMPFOX 25R - 1212039



Crimping pliers, for ferrules without insulating collar according to DIN 46228 Part 1 and ferrules with insulating collar according to DIN 46228 Part 4, 10 mm² ... 25 mm², lateral entry, WM crimp

Spacer plate - DP-PLW 16-6/3 3MM - 1705937



Spacer plate for PLW 16-6/3 feed-through terminal block