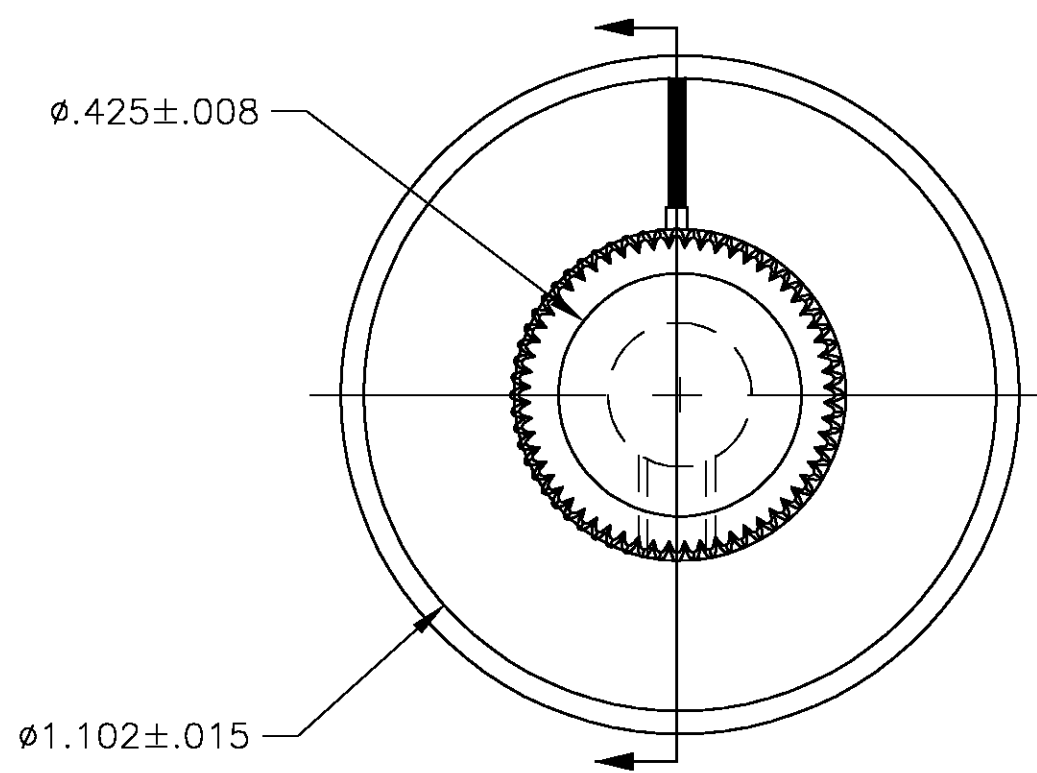
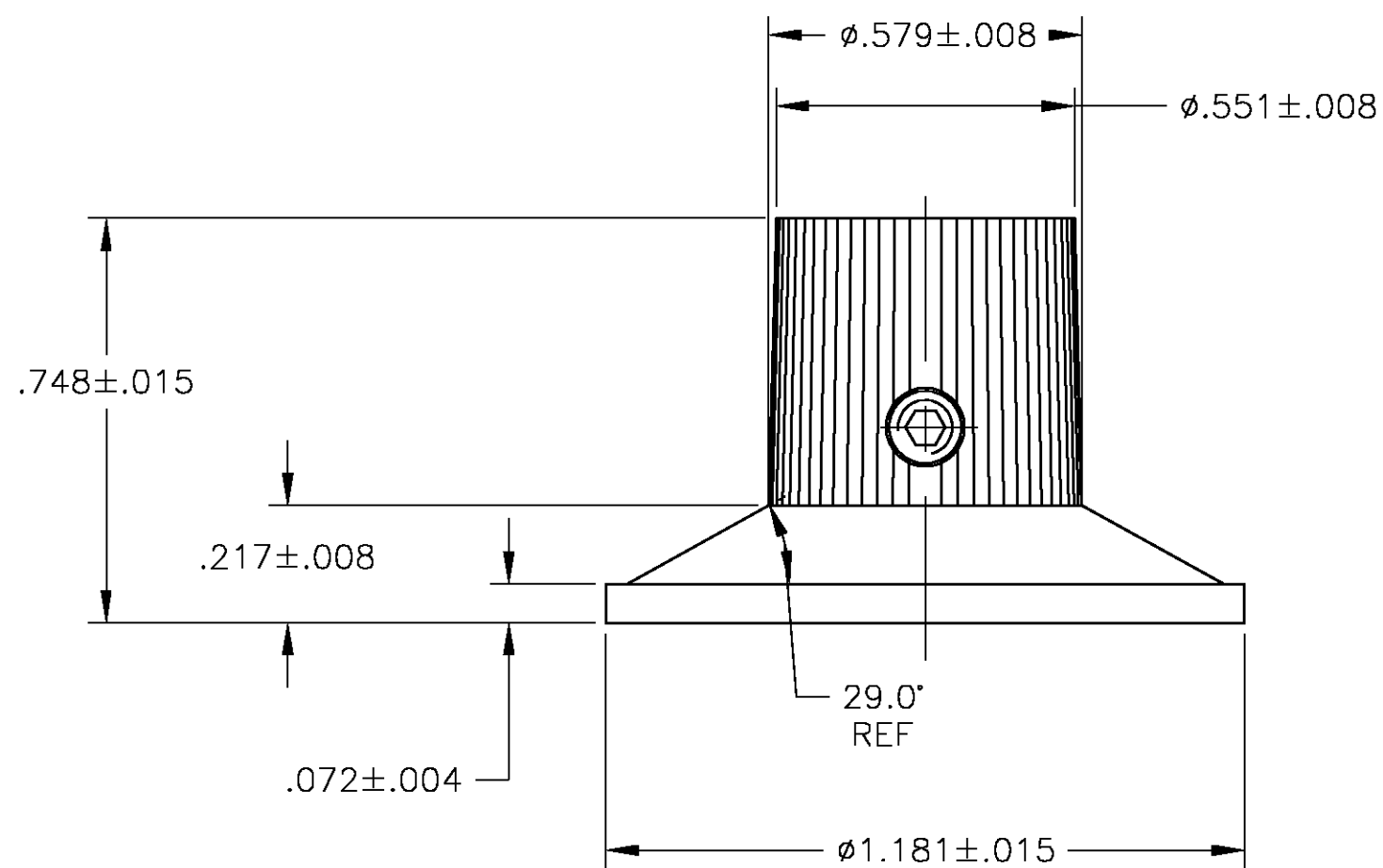
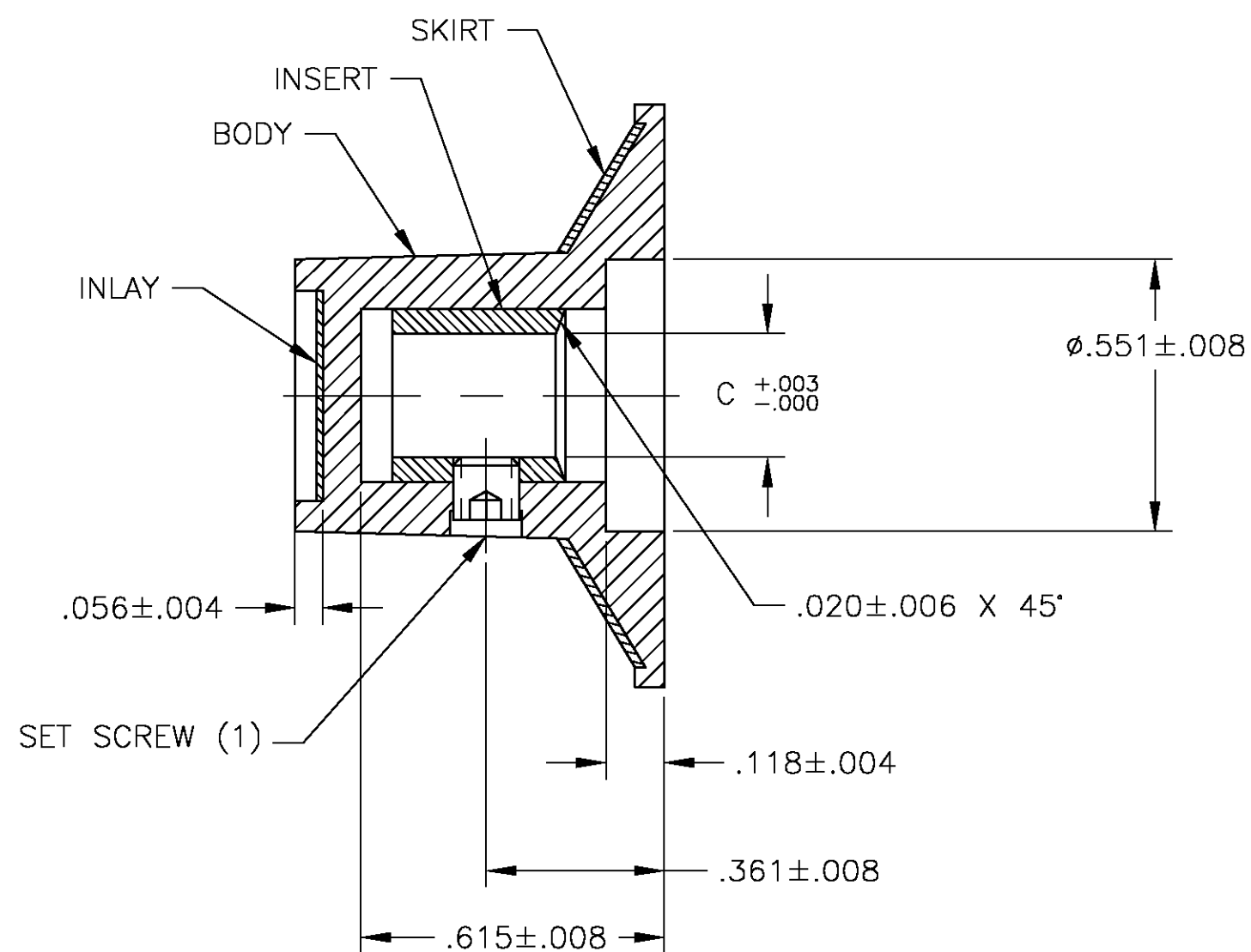


THIS DRAWING IS UNPUBLISHED. RELEASED FOR PUBLICATION
 © COPYRIGHT BY TYCO ELECTRONICS CORPORATION. ALL RIGHTS RESERVED.

LOC		DIST		REVISIONS			
P	LTR	DESCRIPTION	DATE	DWN	APVD		
AD	0						
B		REV PER EC 0G3C-0050-04	31MAR04	MB	MZ		



9-1437624-8
 [PKS1132B1/4]



- MATERIAL AND FINISH:
 SKIRT AND INLAY: ALUMINUM .016 THK., CLEAR ACRYLIC COATED
 BODY: PHENOLIC, BLACK, HIGH GLOSS FINISH (SPE/SPI#A2)
 SET SCREW: 303 STAINLESS STEEL, BLACK ANODIZED
 INSERT: BRASS

- SET SCREW ARE UNC-2A, CUP POINT, HEX SOCKET TYPE. LENGTH TOLERANCE ON ALL SET SCREWS TO BE ±.010.
- INDICATOR LINE AND NUMBER COLOR: BLACK
- RETENTION FORCE OF INSERT IN KNOB BODY: 50 LBS MIN.

#6-32 X .125	.251	PKS1132B91/4	1437625-2
#6-32 X .125	.251	PKS1132B51/4	1437625-1
#6-32 X .125	.251	PKS1132B101/4	9-1437624-9
#6-32 X .125	.251	PKS1132B1/4	9-1437624-8

SET SCREW	C SHAFT HOLE	MODEL NUMBER	PART NUMBER
2			

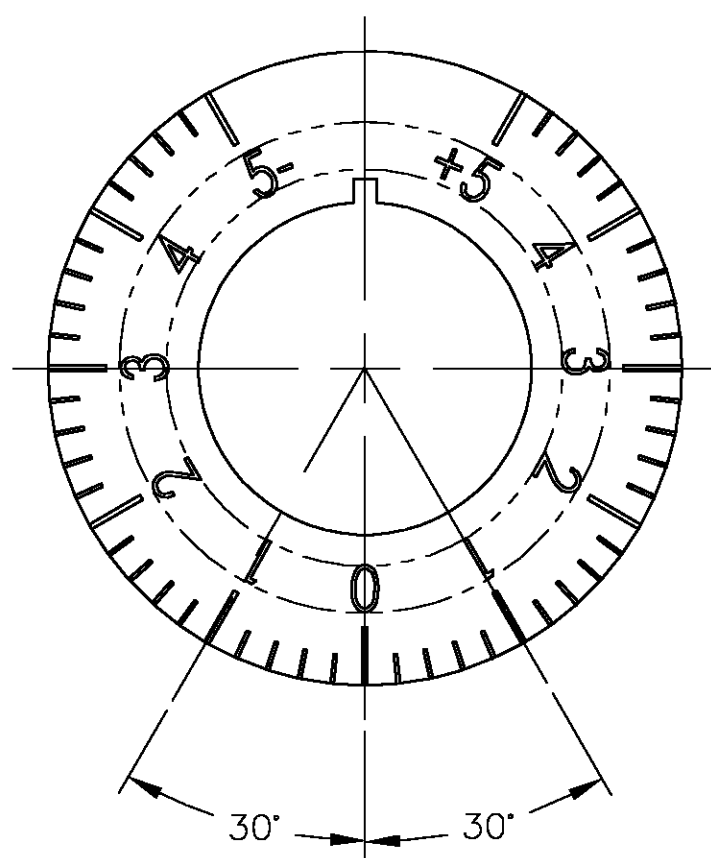
DIMENSIONS:		TOLERANCES UNLESS OTHERWISE SPECIFIED:		DWN		CHK		APVD		PRODUCT SPEC		APPLICATION SPEC		WEIGHT		CUSTOMER DRAWING	
INCHES		0 PLC	± -	M.BINNER		-		-		-		-		-		-	
		1 PLC	± -	-		-		-		-		-		-		-	
		2 PLC	± -	-		-		-		-		-		-		-	
		3 PLC	± .004	-		-		-		-		-		-		-	
		4 PLC	± -	-		-		-		-		-		-		-	
		ANGLES	± 2°	-		-		-		-		-		-		-	
		FINISH	-	-		-		-		-		-		-		-	

Tyco Electronics Corporation		Harrisburg, Pa 17105-3608	
PKS SERIES KNOB			
SIZE	CAGE CODE	DRAWING NO	RESTRICTED TO
A2	00779	C-1437625-1	-
SCALE	1:1	SHEET	1 OF 2
REV	B		

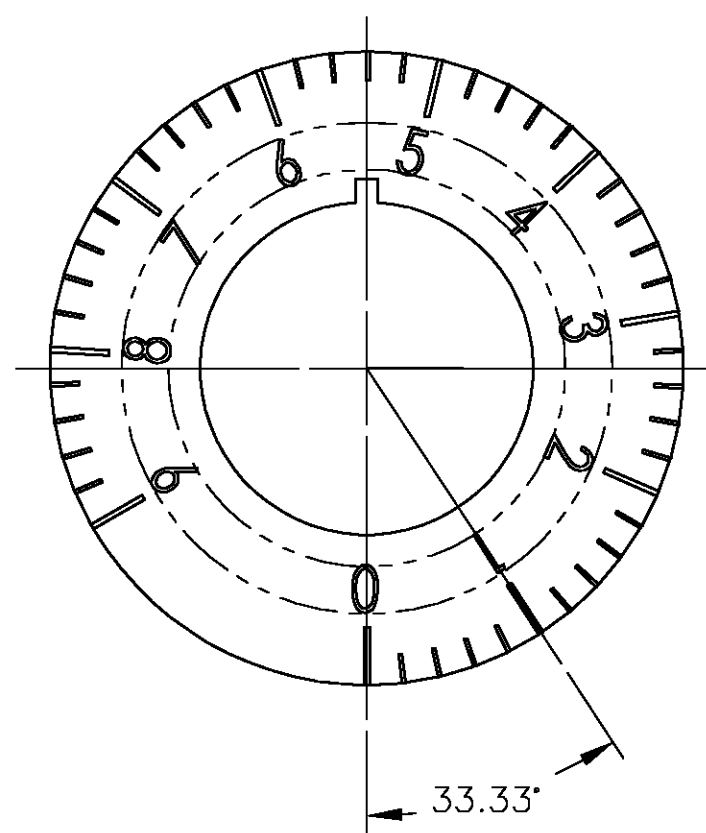
1437625-1

THIS DRAWING IS UNPUBLISHED. RELEASED FOR PUBLICATION
 © COPYRIGHT BY TYCO ELECTRONICS CORPORATION. ALL RIGHTS RESERVED.

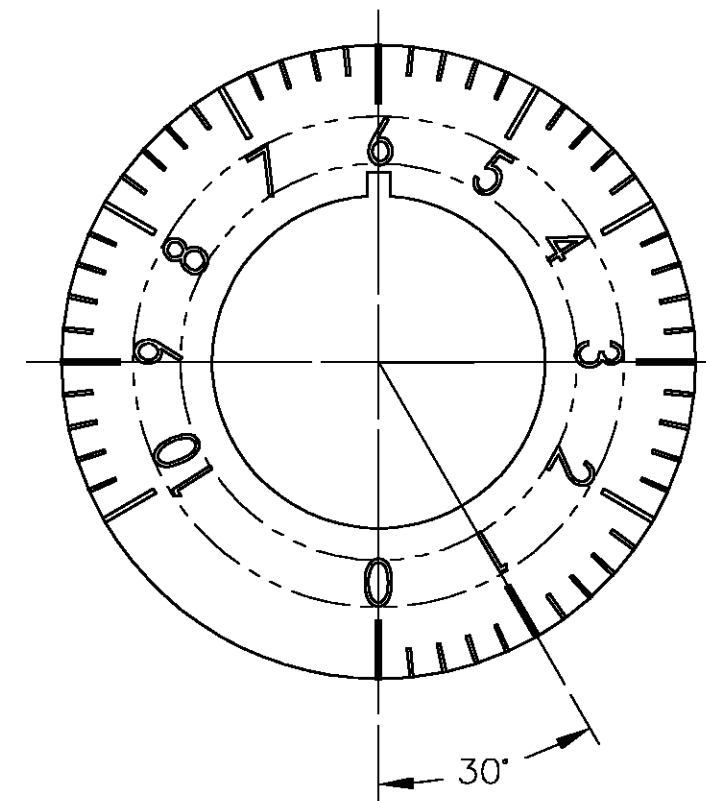
LOC	DIST	REVISIONS			
P	LTR	DESCRIPTION	DATE	DWN	APVD
AD	0	SEE SHEET 1	-	-	-



1437625-1
[PKS1132B51/4]



1437625-2
[PKS1132B91/4]



9-1437624-9
[PKS1132B101/4]

THIS DRAWING IS A CONTROLLED DOCUMENT.		DWN M.BINNER	O2APR03	Tyco Electronics Corporation Harrisburg, Pa 17105-3608	
DIMENSIONS: INCHES		CHK -	APVD -	NAME PKS SERIES KNOB	
		TOLERANCES UNLESS OTHERWISE SPECIFIED: 0 PLC ± - 1 PLC ± - 2 PLC ± - 3 PLC ± .004 4 PLC ± - ANGLES ± 2°		PRODUCT SPEC -	
MATERIAL -		FINISH -		WEIGHT -	RESTRICTED TO -
		CUSTOMER DRAWING		SIZE A2	CAGE CODE 00779
				DRAWING NO 1437625-1	REV B
				SCALE 1:1	SHEET 2 OF 2

1437625-1