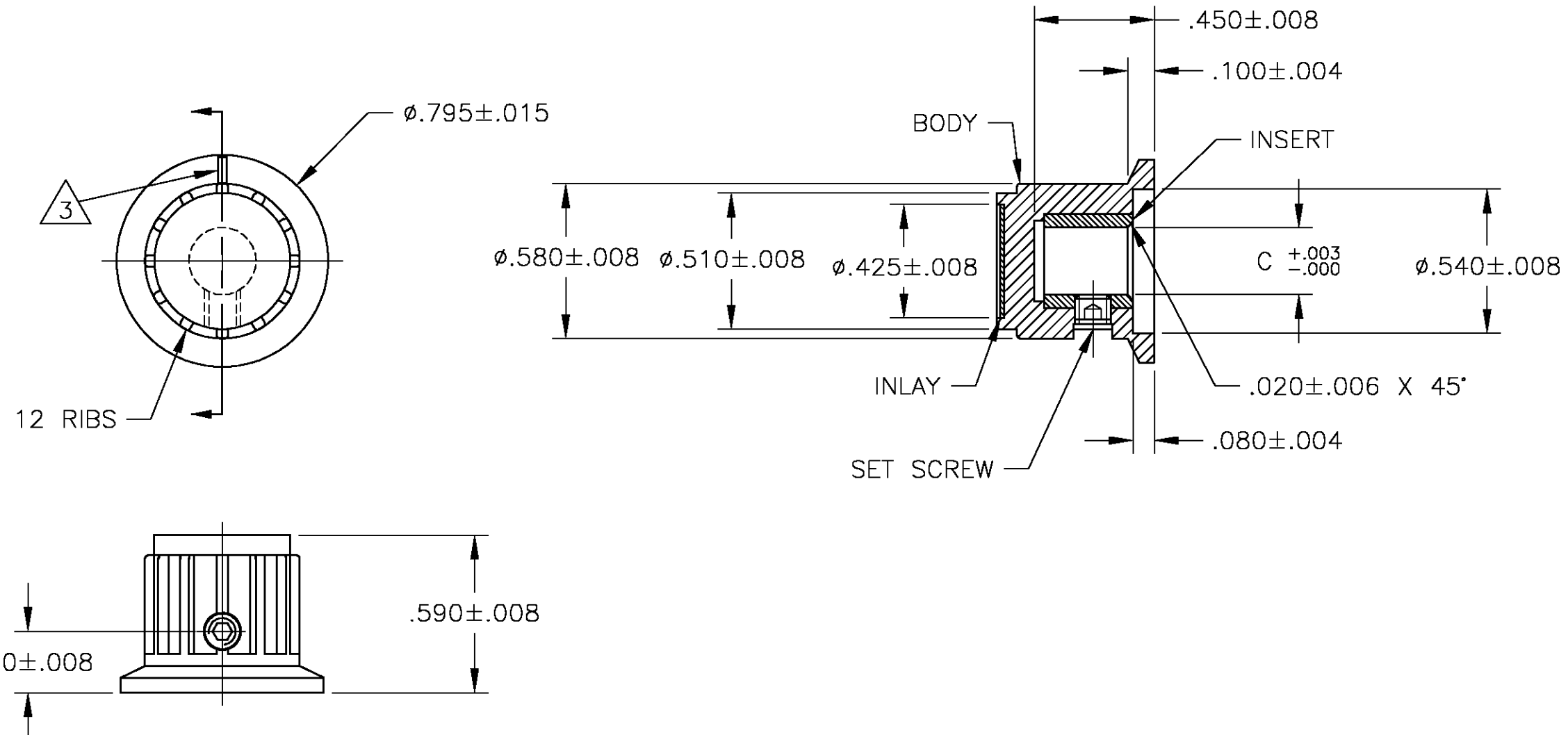


THIS DRAWING IS UNPUBLISHED. RELEASED FOR PUBLICATION
 © COPYRIGHT BY TYCO ELECTRONICS CORPORATION. ALL RIGHTS RESERVED.

| LOC | DIST | REVISIONS | | | | | |
|-----|------|-----------|-----|----------------------|---------|-----|------|
| AD | 0 | P | LTR | DESCRIPTION | DATE | DWN | APVD |
| | | | D | REV PER 0G3C-0667-03 | 02MAR04 | RB | MZ |



- MATERIAL AND FINISH:
 SKIRT AND INLAY: ALUMINUM .016 THK., CLEAR ACRYLIC COATED
 BODY: PHENOLIC, BLACK, HIGH GLOSS FINISH (SPE/SP1#A2)
 SET SCREW: 303 STAINLESS STEEL, BLACK ANODIZED
 INSERT: BRASS

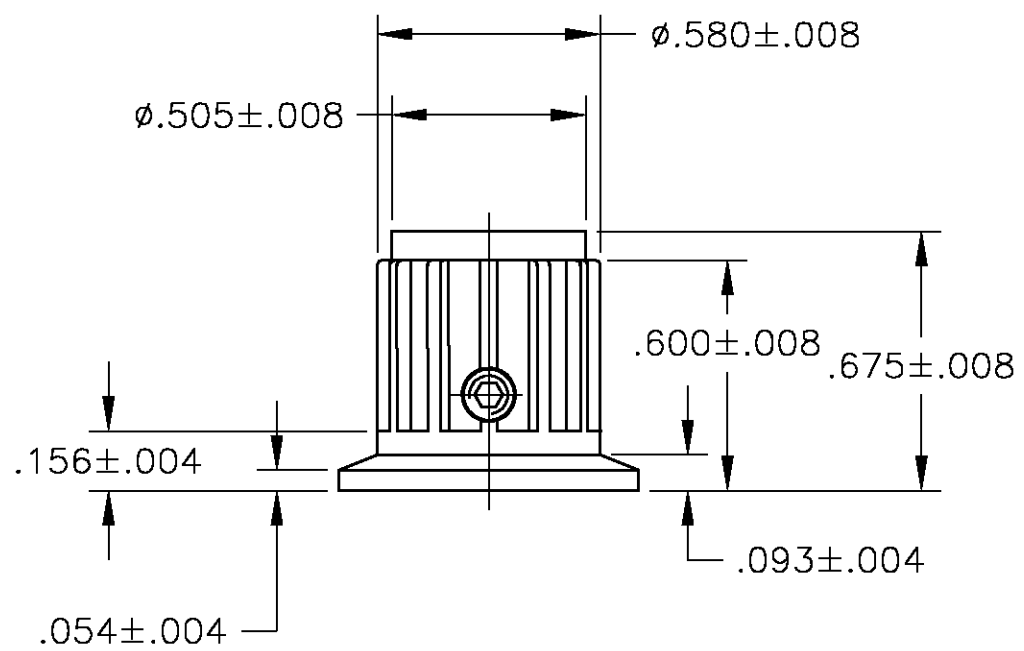
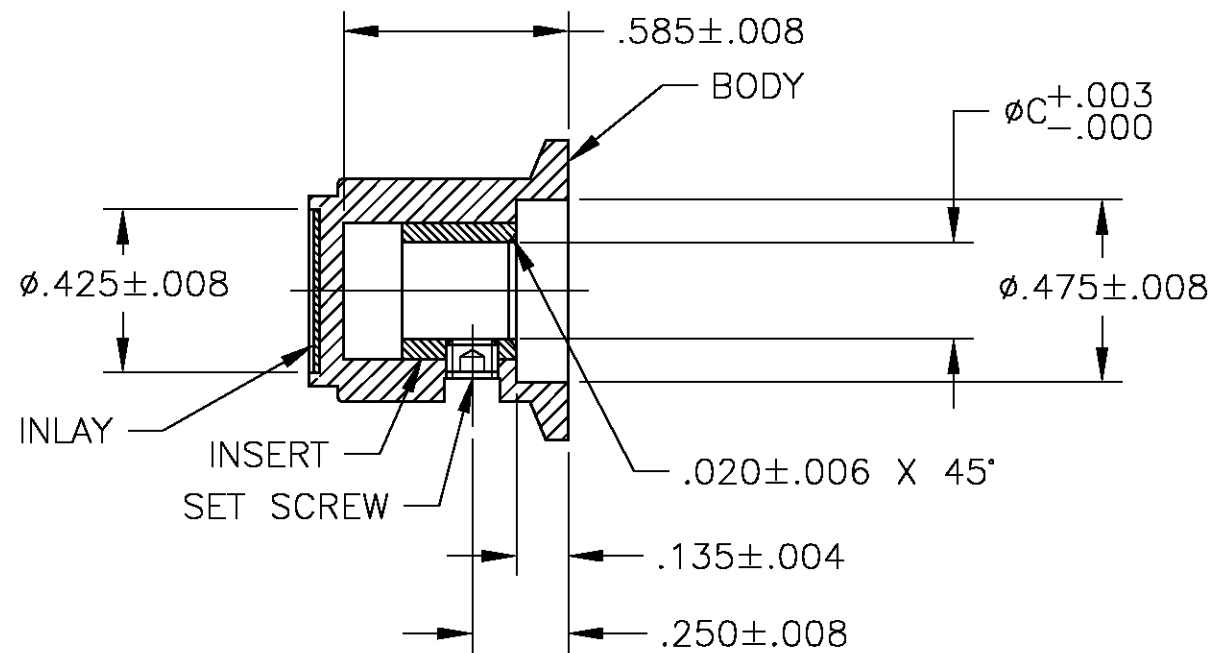
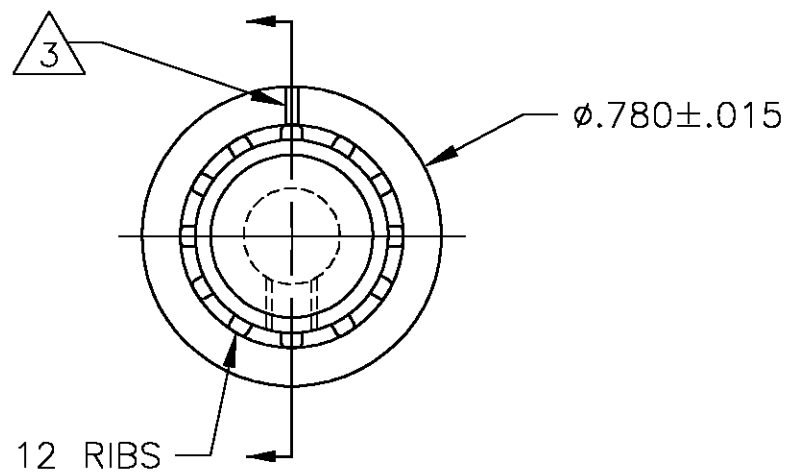
- SET SCREW ARE UNC-2A, CUP POINT, HEX SOCKET TYPE.
- INDICATOR, PAINTED FULL, COLOR: WHITE; .02 ± 0.01 DEEP
- RETENTION FORCE OF INSERT IN KNOB BODY: 2 LBS MIN.

| | | | |
|--------------|------------|--------------|-------------|
| #6-32 X .188 | .126 | PKA50B1/8 | 1-1437624-1 |
| #6-32 X .125 | .251 | PKA50B1/4 | 1-1437624-0 |
| SET SCREW | C | MODEL NUMBER | PART NUMBER |
| | SHAFT HOLE | | |

| | | | | | | |
|--|--|------------------|-----------|---------------|--|-----|
| THIS DRAWING IS A CONTROLLED DOCUMENT. | | DWN | 25MAR03 | | Tyco Electronics Corporation Harrisburg, PA 17105 | |
| DIMENSIONS: INCHES | | CHK | - | | PKA KNOB SERIES STANDARD | |
| TOLERANCES UNLESS OTHERWISE SPECIFIED: | | APVD | - | | - | |
| 0 PLC ± - | | PRODUCT SPEC | - | | - | |
| 1 PLC ± - | | APPLICATION SPEC | - | | - | |
| 2 PLC ± - | | WEIGHT | - | | - | |
| 3 PLC ± - | | SIZE | CAGE CODE | DRAWING NO | RESTRICTED TO | |
| 4 PLC ± - | | A3 | 00779 | C-1-1437624-0 | - | |
| ANGLES ± - | | CUSTOMER DRAWING | | SCALE | SHEET | REV |
| FINISH | | - | | 2:1 | 1 OF 4 | D |

THIS DRAWING IS UNPUBLISHED. RELEASED FOR PUBLICATION
 © COPYRIGHT BY TYCO ELECTRONICS CORPORATION. ALL RIGHTS RESERVED.

| LOC | DIST | REVISIONS | | | |
|-----|------|-------------|------|-----|------|
| P | LTR | DESCRIPTION | DATE | DWN | APVD |
| AD | 0 | SEE SHEET 1 | - | - | - |

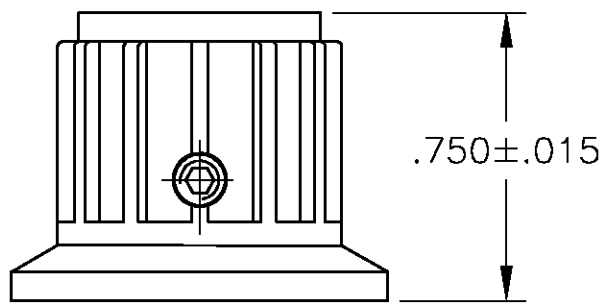
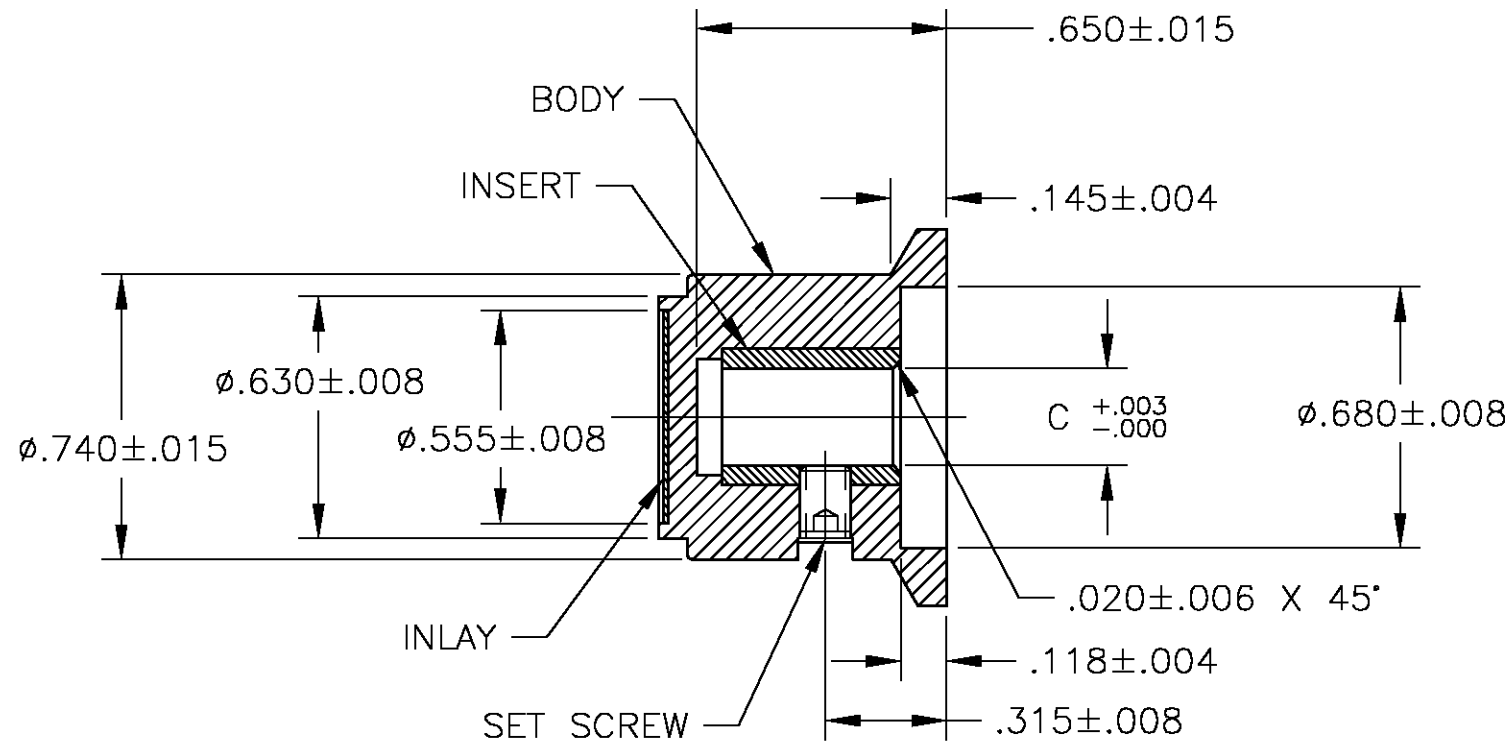
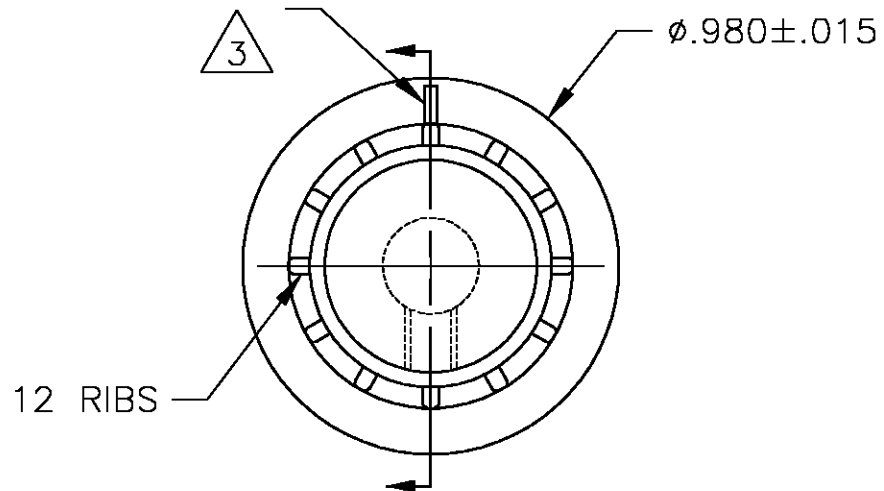


| | | | |
|--------------|------------|--------------|-------------|
| #6-32 X .188 | .126 | PKA55B1/8 | 1-1437624-4 |
| #6-32 X .125 | .251 | PKA55B1/4 | 1-1437624-3 |
| SET SCREW | C | MODEL NUMBER | PART NUMBER |
| 2 | SHAFT HOLE | | |

| | | | | | | | |
|--|--|------------------|----------|---------|--|-----------|---------------|
| THIS DRAWING IS A CONTROLLED DOCUMENT. | | DWN | M.BINNER | 25MAR03 | Tyco Electronics Corporation Harrisburg, PA 17105 | | |
| DIMENSIONS: INCHES | | CHK | - | - | NAME | | |
| | | APVD | - | - | PKA KNOB SERIES STANDARD | | |
| TOLERANCES UNLESS OTHERWISE SPECIFIED: | | PRODUCT SPEC | - | - | - | | |
| 0 PLC ± - | | APPLICATION SPEC | - | - | SIZE | CAGE CODE | DRAWING NO |
| 1 PLC ± - | | | - | - | A3 | 00779 | C-1-1437624-0 |
| 2 PLC ± - | | WEIGHT | - | - | RESTRICTED TO | | |
| 3 PLC ± - | | CUSTOMER DRAWING | | SCALE | 1:1 | SHEET | 2 OF 4 |
| 4 PLC ± - | | | | REV | D | | |
| ANGLES ± - | | | | | | | |
| FINISH | | | | | | | |
| MATERIAL | | | | | | | |

THIS DRAWING IS UNPUBLISHED. RELEASED FOR PUBLICATION
 © COPYRIGHT BY TYCO ELECTRONICS CORPORATION. ALL RIGHTS RESERVED.

| LOC | DIST | REVISIONS | | | |
|-----|------|-------------|------|-----|------|
| P | LTR | DESCRIPTION | DATE | DWN | APVD |
| AD | 0 | SEE SHEET 1 | - | - | - |

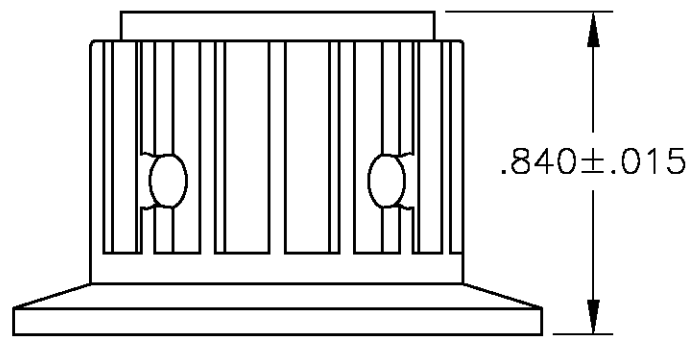
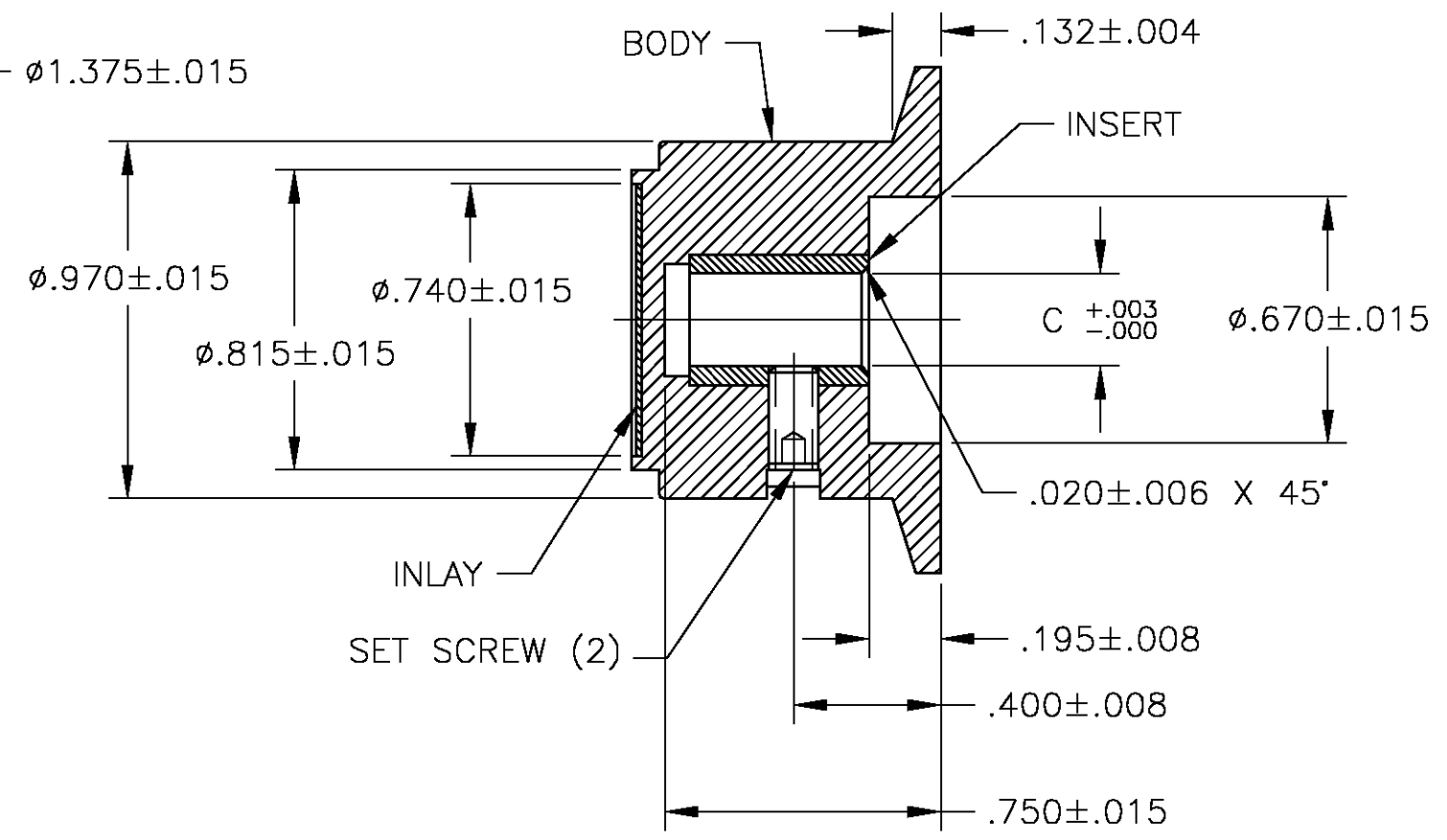
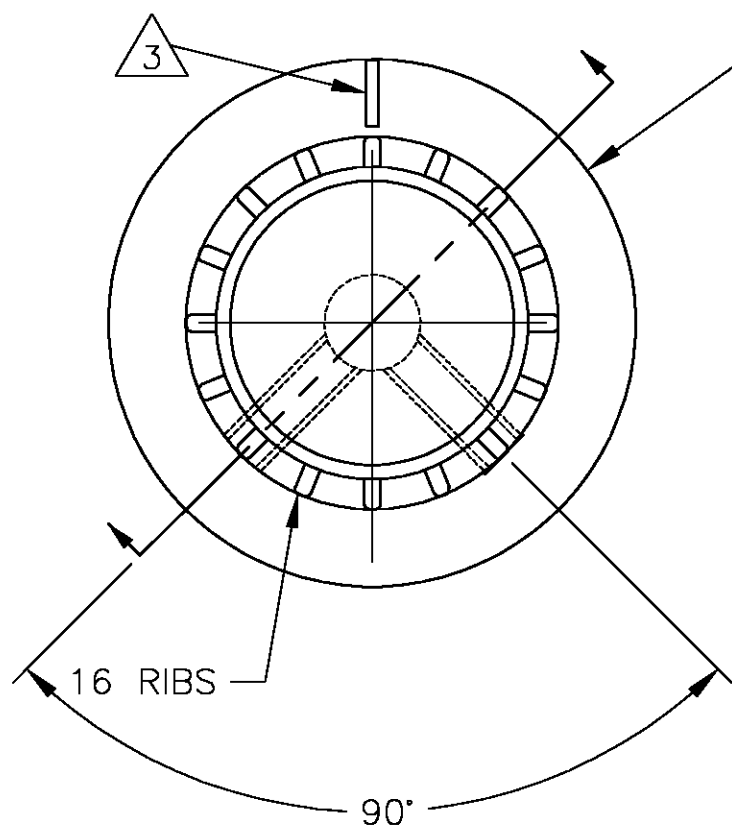


| | | | |
|--------------|------|--------------|-------------|
| #6-32 X .188 | .251 | PKA70B1/4 | 1-1437624-5 |
| SET SCREW | C | MODEL NUMBER | PART NUMBER |

| | | | | | |
|--|--|------------------|---------|--|---------------|
| THIS DRAWING IS A CONTROLLED DOCUMENT. | | DWN M.BINNER | 25MAR03 | Tyco Electronics Corporation Harrisburg, PA 17105 | |
| DIMENSIONS: INCHES | | CHK | - | NAME PKA KNOB SERIES STANDARD | |
| TOLERANCES UNLESS OTHERWISE SPECIFIED: | | APVD | - | PRODUCT SPEC | |
| 0 PLC ± - | | PRODUCT SPEC | - | APPLICATION SPEC | |
| 1 PLC ± - | | APVD | - | SIZE | CAGE CODE |
| 2 PLC ± - | | PRODUCT SPEC | - | A3 | 00779 |
| 3 PLC ± - | | APPLICATION SPEC | - | DRAWING NO | C-1-1437624-0 |
| 4 PLC ± - | | APVD | - | RESTRICTED TO | - |
| ANGLES ± - | | WEIGHT | - | SCALE | 1:1 |
| FINISH | | CUSTOMER DRAWING | | SHEET | 3 OF 4 |
| MATERIAL | | CUSTOMER DRAWING | | REV | D |

THIS DRAWING IS UNPUBLISHED. RELEASED FOR PUBLICATION
 © COPYRIGHT BY TYCO ELECTRONICS CORPORATION. ALL RIGHTS RESERVED.

| | | | | | | | |
|-----|------|-----------|-----|-------------|------|-----|------|
| LOC | DIST | REVISIONS | | | | | |
| AD | 0 | P | LTR | DESCRIPTION | DATE | DWN | APVD |
| | | - | | SEE SHEET 1 | - | - | - |



| | | | |
|--------------|------|--------------|-------------|
| #6-32 X .188 | .251 | PKA90B1/4 | 1-1437624-7 |
| SET SCREW | C | MODEL NUMBER | PART NUMBER |
| SHAFT HOLE | | | |

| | | | | | | | | |
|--|-----|------------------|----------|---------|--|-----------|---------------|---------------|
| THIS DRAWING IS A CONTROLLED DOCUMENT. | | DWN | M.BINNER | 25MAR03 | Tyco Electronics Corporation Harrisburg, PA 17105 | | | |
| DIMENSIONS: INCHES | | CHK | - | - | NAME | | | |
| | | APVD | - | - | PKA KNOB SERIES STANDARD | | | |
| TOLERANCES UNLESS OTHERWISE SPECIFIED: | | PRODUCT SPEC | - | - | SIZE | CAGE CODE | DRAWING NO | RESTRICTED TO |
| 0 PLC | ± - | APPLICATION SPEC | - | - | A3 | 00779 | C-1-1437624-0 | - |
| 1 PLC | ± - | WEIGHT | - | - | CUSTOMER DRAWING | | | |
| 2 PLC | ± - | MATERIAL | | - | SCALE | SHEET | OF | REV |
| 3 PLC | ± - | FINISH | | - | 1:1 | 4 | 4 | D |
| 4 PLC | ± - | | | - | | | | |
| ANGLES | ± - | | | - | | | | |