

FULL SUBPANEL


PROLINE subpanels are designed to provide maximum panel depth, panel size and ease of installation. Full subpanels slide into the frame on nylon glide blocks, which support the entire weight of the subpanel.

- All necessary mounting hardware is included
- Subpanels are 12 gauge (2.5-mm) steel (subpanels for double-bay enclosures 1400-mm tall or taller are 10 gauge steel), have flanges on all sides and are painted white
- Conductive subpanels are unpainted galvanized steel
- Subpanels can be mounted at nearly any depth in 25-mm increments
- Panels installed in the rearmost position in joined (ganged) enclosures provide a continuous mounting surface without requiring joining panels
- Mounting hardware attaches to the top or to the sides of the frame
- Additional Mounting Hardware (catalog number PMKPF) is available for applications requiring more support in the center or bottom of the subpanel. This is required if the enclosure will be tipped in transit or if the panel is not located at the bottom of the enclosure on the glide blocks. In addition, 3-row grid straps are required for installation unless the panel is in the rearmost position.

BULLETIN: P20
Full Subpanel

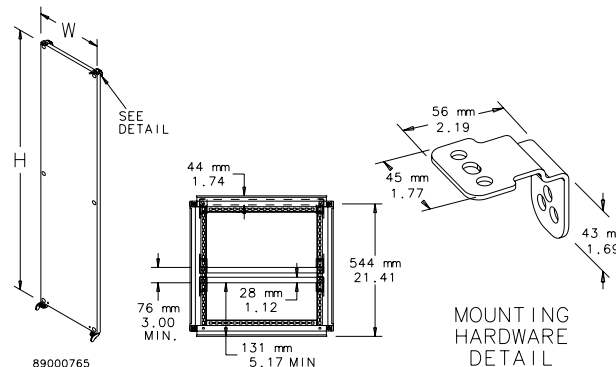
| Catalog Number | Material | H (mm) | H (in.) | W (mm) | W (in.) |
|----------------|------------|--------|---------|--------|---------|
| PPF76 | Steel | 585 | 23.03 | 530 | 20.87 |
| PPF76G | Conductive | 585 | 23.03 | 530 | 20.87 |

| Catalog Number | Material | H (mm) | H (in.) | W (mm) | W (in.) |
|----------------|------------|--------|---------|--------|---------|
| PPF78 | Steel | 585 | 23.03 | 730 | 28.74 |
| PPF78G | Conductive | 585 | 23.03 | 730 | 28.74 |
| PPF712 | Steel | 585 | 23.03 | 1130 | 44.49 |
| PPF126G | Conductive | 1085 | 42.72 | 530 | 20.87 |
| PPF128G | Conductive | 1085 | 42.72 | 730 | 28.74 |
| PPF1212G | Conductive | 1085 | 42.72 | 1130 | 44.49 |
| PPF146 | Steel | 1285 | 50.59 | 530 | 20.87 |
| PPF146G | Conductive | 1285 | 50.59 | 530 | 20.87 |
| PPF148 | Steel | 1285 | 50.59 | 730 | 28.74 |
| PPF148G | Conductive | 1285 | 50.59 | 730 | 28.74 |
| PPF1412 | Steel | 1285 | 50.59 | 1130 | 44.49 |
| PPF1412G | Conductive | 1285 | 50.59 | 1130 | 44.49 |
| PPF166 | Steel | 1485 | 58.46 | 530 | 20.87 |
| PPF166G | Conductive | 1485 | 58.46 | 530 | 20.87 |
| PPF168 | Steel | 1485 | 58.46 | 730 | 28.74 |
| PPF168G | Conductive | 1485 | 58.46 | 730 | 28.74 |
| PPF1612 | Steel | 1485 | 58.46 | 1130 | 44.49 |
| PPF1612G | Conductive | 1485 | 58.46 | 1130 | 44.49 |
| PPF184G | Conductive | 1685 | 66.34 | 430 | 16.93 |
| PPF186 | Steel | 1685 | 66.34 | 530 | 20.87 |
| PPF186G | Conductive | 1685 | 66.34 | 530 | 20.87 |
| PPF188 | Steel | 1685 | 66.34 | 730 | 28.74 |
| PPF188G | Conductive | 1685 | 66.34 | 730 | 28.74 |
| PPF1810 | Steel | 1685 | 66.34 | 930 | 36.61 |
| PPF1810G | Conductive | 1685 | 66.34 | 930 | 36.61 |
| PPF1812 | Steel | 1685 | 66.34 | 1130 | 44.49 |
| PPF1812G | Conductive | 1685 | 66.34 | 1130 | 44.49 |
| PPF1816 | Steel | 1685 | 66.34 | 1530 | 60.24 |
| PPF1816G | Plated | 1685 | 66.34 | 1530 | 60.24 |
| PPF1818G | Conductive | 1685 | 66.34 | 1730 | 68.11 |
| PPF204 | Steel | 1885 | 74.21 | 330 | 13.00 |
| PPF204G2 | Conductive | 1885 | 74.21 | 330 | 13.00 |
| PPF206 | Steel | 1885 | 74.21 | 530 | 20.87 |
| PPF206G | Conductive | 1885 | 74.21 | 530 | 20.87 |
| PPF207 | Steel | 1885 | 74.21 | 630 | 24.80 |
| PPF207G | Conductive | 1885 | 74.21 | 630 | 24.80 |
| PPF208 | Steel | 1885 | 74.21 | 730 | 28.74 |
| PPF208G | Conductive | 1885 | 74.21 | 730 | 28.74 |
| PPF2010 | Steel | 1885 | 74.21 | 930 | 36.61 |
| PPF2010G | Conductive | 1885 | 74.21 | 930 | 36.61 |
| PPF2012 | Steel | 1885 | 74.21 | 1130 | 44.49 |
| PPF2012G | Conductive | 1885 | 74.21 | 1130 | 44.49 |
| PPF2016 | Steel | 1885 | 74.21 | 1530 | 60.24 |
| PPF2016G | Plated | 1885 | 74.21 | 1530 | 60.24 |
| PPF2018G2 | Conductive | 1885 | 74.21 | 1730 | 68.11 |
| PPF226 | Steel | 2085 | 82.09 | 530 | 20.87 |
| PPF226G | Conductive | 2085 | 82.09 | 530 | 20.87 |
| PPF227 | Steel | 2085 | 82.09 | 630 | 24.80 |
| PPF227G | Conductive | 2085 | 82.09 | 630 | 24.80 |
| PPF228 | Steel | 2085 | 82.09 | 730 | 28.74 |
| PPF228G | Conductive | 2085 | 82.09 | 730 | 28.74 |
| PPF2210 | Steel | 2085 | 82.09 | 930 | 36.61 |
| PPF2210G | Conductive | 2085 | 82.09 | 930 | 36.61 |
| PPF2212 | Steel | 2085 | 82.09 | 1130 | 44.49 |
| PPF2212G | Conductive | 2085 | 82.09 | 1130 | 44.49 |

Consult Hoffman for delivery.

Additional Mounting Hardware

| Catalog Number | Description |
|----------------|---|
| PMKPF | Additional Side Mounting Hardware (see Detail in drawing) |

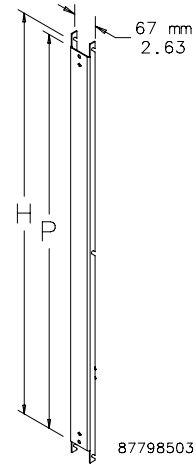


JOINING SUBPANEL



Provides a continuous panel surface in multiple bay enclosures. The joining subpanel is inserted between full subpanels of equal height. It can be installed from front or rear. Holes for grounding and mounting hardware are provided. Finish is white. Conductive joining subpanels are unpainted galvanized steel.

BULLETIN: P20



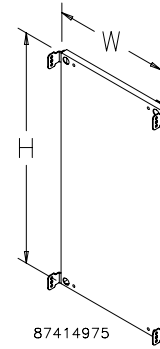
| Catalog Number | Material | H (mm) | H (in.) | P (mm) | P (in.) | Fits between full subpanels |
|----------------|------------|--------|---------|--------|---------|---|
| PJP7G | Conductive | 585 | 23.03 | 548 | 21.57 | PPF76, PPF78, PPF712 |
| PJP14 | Steel | 1285 | 50.59 | 1248 | 49.13 | PPF146, PPF148, PPF1412 |
| PJP14G | Conductive | 1285 | 50.59 | 1248 | 49.13 | PPF146, PPF148, PPF1412 |
| PJP16 | Steel | 1485 | 58.46 | 1448 | 57.00 | PPF166, PPF167, PPF168, PPF1612 |
| PJP16G | Conductive | 1485 | 58.46 | 1448 | 57.00 | PPF166, PPF167, PPF168, PPF1612 |
| PJP18 | Steel | 1685 | 66.34 | 1648 | 64.87 | PPF186, PPF187, PPF188, PPF1810, PPF1812, PPF1816 |
| PJP18G | Conductive | 1685 | 66.34 | 1648 | 64.87 | PPF186, PPF187, PPF188, PPF1810, PPF1812, PPF1816 |
| PJP20 | Steel | 1885 | 74.21 | 1848 | 72.75 | PPF206, PPF207, PPF208, PPF2010, PPF2012, PPF2016 |
| PJP20G | Conductive | 1885 | 74.21 | 1848 | 72.75 | PPF206, PPF207, PPF208, PPF2010, PPF2012, PPF2016 |
| PJP22 | Steel | 2085 | 82.09 | 2048 | 80.62 | PPF226, PPF227, PPF228, PPF2210, PPF2212, PPF2216 |
| PJP22G | Conductive | 2085 | 82.09 | 2048 | 80.62 | PPF226, PPF227, PPF228, PPF2210, PPF2212, PPF2216 |

Consult Hoffman for delivery

PARTIAL SUBPANEL


Partial Subpanels are 12 gauge steel, have flanges on four sides and are painted white. Panels can be positioned vertically in 25-mm increments and also can be positioned at any depth in 25-mm increments using the optional grid straps. Conductive subpanels are unpainted galvanized steel. All necessary mounting hardware is included.

BULLETIN: P20



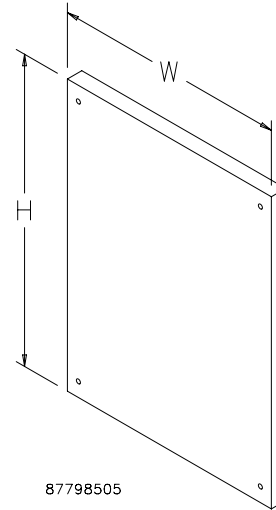
| Catalog Number | Material | H (mm) | H (in.) | W (mm) | W (in.) | Fits Frame |
|----------------|------------|--------|---------|--------|---------|-------------------|
| PPP46 | Steel | 360 | 14.17 | 530 | 20.87 | 700 mm or taller |
| PPP46G | Conductive | 360 | 14.17 | 530 | 20.87 | 700 mm or taller |
| PPP47 | Steel | 360 | 14.17 | 630 | 24.80 | 700 mm or taller |
| PPP47G | Conductive | 360 | 14.17 | 630 | 24.80 | 700 mm or taller |
| PPP48 | Steel | 360 | 14.17 | 730 | 28.74 | 700 mm or taller |
| PPP48G | Conductive | 360 | 14.17 | 730 | 28.74 | 700 mm or taller |
| PPP412 | Steel | 360 | 14.17 | 1130 | 44.49 | 700 mm or taller |
| PPP412G | Conductive | 360 | 14.17 | 1130 | 44.49 | 700 mm or taller |
| PPP86 | Steel | 735 | 28.94 | 530 | 20.87 | 1400 mm or taller |
| PPP86G | Conductive | 735 | 28.94 | 530 | 20.87 | 1400 mm or taller |
| PPP87 | Steel | 735 | 28.94 | 630 | 24.80 | 1400 mm or taller |
| PPP88 | Steel | 735 | 28.94 | 730 | 28.74 | 1400 mm or taller |
| PPP88G | Conductive | 735 | 28.94 | 730 | 28.74 | 1400 mm or taller |
| PPP810 | Steel | 735 | 28.94 | 930 | 36.61 | 1400 mm or taller |
| PPP810G | Conductive | 735 | 28.94 | 930 | 36.61 | 1400 mm or taller |
| PPP96 | Steel | 835 | 32.87 | 530 | 20.87 | 1400 mm or taller |
| PPP96G | Conductive | 835 | 32.87 | 530 | 20.87 | 1400 mm or taller |
| PPP97 | Steel | 835 | 32.87 | 630 | 24.80 | 1400 mm or taller |
| PPP97G | Conductive | 835 | 32.87 | 630 | 24.80 | 1400 mm or taller |
| PPP98 | Steel | 835 | 32.87 | 730 | 28.74 | 1400 mm or taller |
| PPP98G | Conductive | 835 | 32.87 | 730 | 28.74 | 1400 mm or taller |
| PPP910 | Steel | 835 | 32.87 | 930 | 36.61 | 1400 mm or taller |
| PPP910G | Conductive | 835 | 32.87 | 930 | 36.61 | 1400 mm or taller |
| PPP106 | Steel | 935 | 36.81 | 530 | 20.87 | 1400 mm or taller |
| PPP106G | Conductive | 935 | 36.81 | 530 | 20.87 | 1400 mm or taller |
| PPP108 | Steel | 935 | 36.81 | 730 | 28.74 | 1400 mm or taller |
| PPP108G | Conductive | 935 | 36.81 | 730 | 28.74 | 1400 mm or taller |
| PPP116 | Steel | 1035 | 40.75 | 530 | 20.87 | 1400 mm or taller |
| PPP116G | Conductive | 1035 | 40.75 | 530 | 20.87 | 1400 mm or taller |

SIDE-MOUNT SUBPANEL



Side-mounted panels can be installed on the interior sides of frames. The panel and all the hardware needed to attach the subpanels to a frame are included. Hardware is plated. Panels are 12 gauge steel with a white finish. Conductive panels are unpainted galvanized steel.

BULLETIN: P20



| Catalog Number | Material | H (mm) | H (in.) | W (mm) | W (in.) |
|----------------|------------|--------|---------|--------|---------|
| PPFSM76 | Steel | 608 | 23.94 | 447 | 17.60 |
| PPFSM76G | Conductive | 608 | 23.94 | 447 | 17.60 |
| PPFSM145 | Steel | 1308 | 51.50 | 347 | 13.66 |
| PPFSM145G | Conductive | 1308 | 51.50 | 347 | 13.66 |
| PPFSM146 | Steel | 1308 | 51.50 | 447 | 17.60 |
| PPFSM148 | Steel | 1308 | 51.50 | 647 | 25.47 |
| PPFSM148G | Conductive | 1308 | 51.50 | 647 | 25.47 |
| PPFSM164G | Conductive | 1508 | 59.37 | 247 | 9.72 |
| PPFSM165G | Conductive | 1508 | 59.37 | 347 | 13.66 |
| PPFSM166 | Steel | 1508 | 59.37 | 447 | 17.60 |
| PPFSM166G | Conductive | 1508 | 59.37 | 447 | 17.60 |
| PPFSM168 | Steel | 1508 | 59.37 | 647 | 25.47 |
| PPFSM168G | Conductive | 1508 | 59.37 | 647 | 25.47 |
| PPFSM169 | Steel | 1508 | 59.37 | 747 | 29.41 |
| PPFSM169G | Conductive | 1508 | 59.37 | 747 | 29.41 |
| PPFSM184 | Steel | 1708 | 67.24 | 247 | 9.72 |
| PPFSM185 | Steel | 1708 | 67.24 | 347 | 13.66 |
| PPFSM185G | Conductive | 1708 | 67.24 | 347 | 13.66 |
| PPFSM186 | Steel | 1708 | 67.24 | 447 | 17.60 |
| PPFSM186G | Conductive | 1708 | 67.24 | 447 | 17.60 |
| PPFSM188 | Steel | 1708 | 67.24 | 647 | 25.47 |
| PPFSM188G | Conductive | 1708 | 67.24 | 647 | 25.47 |
| PPFSM189 | Steel | 1708 | 67.24 | 747 | 29.41 |
| PPFSM189G | Conductive | 1708 | 67.24 | 747 | 29.41 |
| PPFSM204 | Steel | 1908 | 75.12 | 247 | 9.72 |
| PPFSM204G | Conductive | 1908 | 75.12 | 247 | 9.72 |
| PPFSM205 | Steel | 1908 | 75.12 | 347 | 13.66 |
| PPFSM205G | Conductive | 1908 | 75.12 | 347 | 13.66 |
| PPFSM206 | Steel | 1908 | 75.12 | 447 | 17.60 |
| PPFSM206G | Conductive | 1908 | 75.12 | 447 | 17.60 |
| PPFSM208 | Steel | 1908 | 75.12 | 647 | 25.47 |
| PPFSM208G | Conductive | 1908 | 75.12 | 647 | 25.47 |
| PPFSM209 | Steel | 1908 | 75.12 | 747 | 29.41 |
| PPFSM209G | Conductive | 1908 | 75.12 | 747 | 29.41 |
| PPFSM225 | Steel | 2108 | 82.99 | 347 | 13.66 |
| PPFSM225G | Conductive | 2108 | 82.99 | 347 | 13.66 |
| PPFSM226 | Steel | 2108 | 82.99 | 447 | 17.60 |
| PPFSM226G | Conductive | 2108 | 82.99 | 447 | 17.60 |
| PPFSM228 | Steel | 2108 | 82.99 | 647 | 25.47 |
| PPFSM228G | Conductive | 2108 | 82.99 | 647 | 25.47 |
| PPFSM229 | Steel | 2108 | 82.99 | 747 | 29.41 |
| PPFSM229G | Conductive | 2108 | 82.99 | 747 | 29.41 |

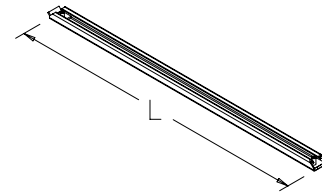
PANEL SUPPORT BRACE



Panel Support Braces give additional support to single- and double-bay panels in heavy loading applications and minimize the vibration created by components mounted on the panel. Braces can be installed on existing systems without removing the panel. Panel support braces are furnished in pairs. Braces are unpainted galvanized steel.

BULLETIN: P20

| Catalog Number | L (mm) | L (in.) | Fits Panel Width (mm) |
|----------------|--------|---------|-----------------------|
| PSB10 | 911 | 35.87 | 1000 |
| PSB12 | 1111 | 43.74 | 1200 |
| PSB16 | 1511 | 59.49 | 1600 |
| PSB18 | 1711 | 67.36 | 1800 |



87799841

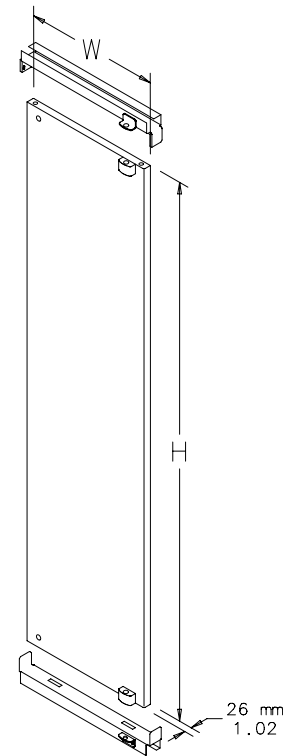
SWING-OUT PANEL



Swing-Out Panels allow a front-mounted panel to pivot out of an enclosure frame opening. This accessory includes a white panel and all the necessary hardware.

- Swing-Out Panels are available for 600-, 700- and 800-mm wide enclosures
- Panels provide 170 degrees of rotation, with capability to hinge from the right or left side
- Spring-loaded pivot post allows for easy installation
- Supports have a white finish. Hinge blocks are anodized black.
- Quarter-turn latches are provided to secure the Swing-Out Panel in the closed position

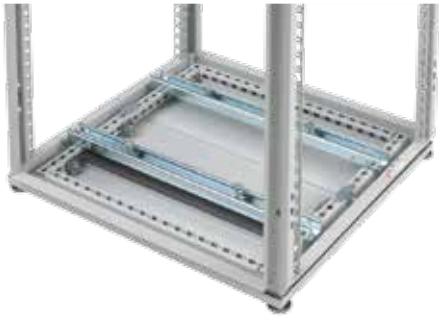
BULLETIN: P20



87414977

| Catalog Number | H (mm) | H (in.) | W (mm) | W (in.) | Fits Frame | Fits Frame Width |
|----------------|--------|---------|--------|---------|----------------|------------------|
| PSP76 | 538 | 21.18 | 515 | 20.28 | 700 or taller | 600 |
| PSP146 | 1238 | 48.74 | 515 | 20.28 | 1400 or taller | 600 |
| PSP166 | 1438 | 56.61 | 515 | 20.28 | 1600 or taller | 600 |
| PSP186 | 1638 | 64.49 | 515 | 20.28 | 1800 or taller | 600 |
| PSP206 | 1838 | 72.36 | 515 | 20.28 | 2000 or taller | 600 |
| PSP226 | 2038 | 80.24 | 515 | 20.28 | 2200 tall | 600 |
| PSP77 | 538 | 21.18 | 615 | 24.21 | 700 or taller | 700 |
| PSP147 | 1238 | 48.74 | 615 | 24.21 | 1400 or taller | 700 |
| PSP207 | 1838 | 72.36 | 615 | 24.21 | 2000 or taller | 700 |
| PSP78 | 538 | 21.18 | 715 | 28.15 | 700 or taller | 800 |
| PSP148 | 1238 | 48.74 | 715 | 28.15 | 1400 or taller | 800 |
| PSP168 | 1438 | 56.61 | 715 | 28.15 | 1600 or taller | 800 |
| PSP188 | 1638 | 64.49 | 715 | 28.15 | 1800 or taller | 800 |
| PSP208 | 1838 | 72.36 | 715 | 28.15 | 2000 or taller | 800 |
| PSP228 | 2038 | 80.24 | 715 | 28.15 | 2200 tall | 800 |

TRANSFORMER RAILS



Transformer Rails are used to mount heavy components and transformers in the bottom of an enclosure.

- The rails are slotted to fit the integral mounting holes in the frame
- Four clip nuts and screws are furnished to mount rails to frame
- Four M10 clamping nuts and bolts are furnished to attach equipment to the rails
- Rails can be installed side to side in the frame for component mounting
- All mounting hardware is included

BULLETIN: P20

| Catalog Number | Length (mm) | Length (in.) |
|----------------|-------------|--------------|
| PTR6 | 534 | 21.02 |
| PTR8 | 734 | 28.90 |
| PTR12 | 1134 | 44.65 |

GROUNDING BAR SYSTEM



INDUSTRY STANDARDS

UL Component Recognized; File No. E61997

Three sizes of grounding bars and insulated mounting brackets are available. Bars are plated copper with M6 and M5 tapped holes to provide a common point for grounding equipment. Fits all enclosures if mounted vertically. See table for horizontal mounting.

BULLETIN: P20

| Catalog Number | Description | Length mm/in. | Number of Holes and Screws M6 | Number of Holes and Screws M5 |
|----------------|---|---------------|-------------------------------|-------------------------------|
| PGS2K | Fits 400-mm deep frame front to back horizontally | 200 / 7.87 | 3/5 | 10/10 |
| PGS4K | Fits 600-mm deep frame front to back horizontally | 400 / 15.75 | 9/11 | 20/20 |
| PGS6K | Fits 800-mm deep frame front to back horizontally | 600 / 23.62 | 15/17 | 30/31 |

PROLINE GROUNDING KIT



The Grounding Kit allows a PROLINE enclosure to be grounded to VDE specifications. Includes six 12 gauge wires 411 mm (16.19 in.) long with ring terminations and M6 mounting hardware.

BULLETIN: P9

| Catalog Number | Wire Size | Length Between Ring Terminals mm/in. | Ring Terminal Hole Diameter mm/in. |
|----------------|-----------|--------------------------------------|------------------------------------|
| PGK | 12 ga. | 411 / 16.19 | 7 / .29 |

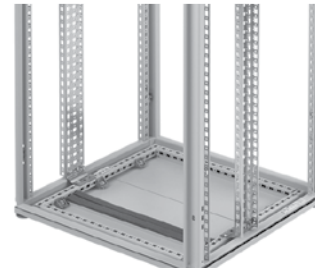
GRID SYSTEM



Grid Strap installation (side to side)



Grid strap installation (vertical and horizontal grid straps)



Full-height vertical grid strap

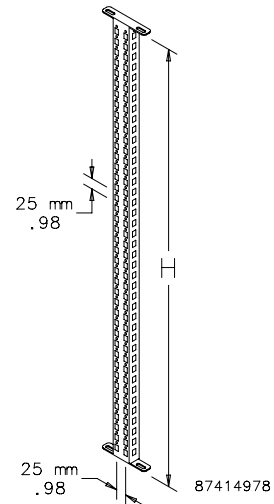
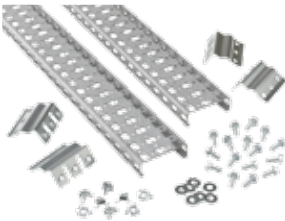
A Grid System provides a flexible extension to the internal mounting system already furnished with the PROLINE frame. The Grid System allows flexible mounting capabilities in height, width and depth. Accessories or equipment can be attached directly to the Grid System using either cage nuts or front-loading cage nuts.

CENTER UPRIGHT


Center Uprights are vertical channels that attach to the frame (top and bottom). Can be used in 800-, 1000-, 1200- and 1600-mm wide frames to facilitate the installation of accessories for 600-mm wide frames and 19-in. rack accessories in wider frames. The vertical hole pattern matches the vertical hole pattern in the frame. Center uprights are made of 12 gauge steel and finished with RAL 7035 textured light-gray polyester powder paint. Center uprights are furnished in pairs and include mounting hardware.

BULLETIN: P20

| Catalog Number | H (mm) | H (in.) | Fits Frame Height |
|----------------|--------|---------|-------------------|
| PCU7 | 625 | 24.61 | 700 |
| PCU14 | 1325 | 52.16 | 1400 |
| PCU16 | 1525 | 60.04 | 1600 |
| PCU18 | 1725 | 67.91 | 1800 |
| PCU20 | 1925 | 75.79 | 2000 |
| PCU22 | 2125 | 83.66 | 2200 |


FULL-HEIGHT VERTICAL GRID STRAPS


Grid Straps provide a vertical extension of the frame holes in the sides of the PROLINE frame. They are sold in pairs with mounting hardware included. Vertical Grid Straps are 14 gauge plated steel. Three-row 25-mm hole spacing allows the use of cage nuts or front-loading cage nuts.

BULLETIN: P20

| Catalog Number | L (mm) | L (in.) | Fits Frame Height |
|----------------|--------|---------|-------------------|
| PGH3S7V | 595 | 23.43 | 700 |
| PGH3S14V | 1295 | 50.98 | 1400 |
| PGH3S16V | 1495 | 58.86 | 1600 |
| PGH3S18V | 1695 | 66.73 | 1800 |
| PGH3S20V | 1895 | 74.61 | 2000 |
| PGH3S22V | 2095 | 82.48 | 2200 |

PROLINE FASTENER PACKAGES

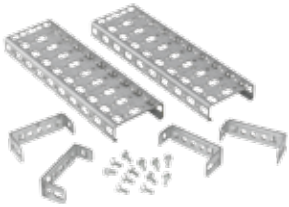

Use to fasten components to the grid system. PGF Packages include 20 front-loading clip nuts (M6) and 20 combination-drive washer-head bolts (M6).

Grounding Package is used with the rectangular holes in the PROLINE frame to provide electrical continuity between the frame and the grid system. ASM5T Package is used with PROLINE frames having round holes. Package includes 20 M5 self-tapping screws.

BULLETIN: DACCY, P20

| Catalog Number | Description | Use in | Pkg. Qty. |
|----------------|--|-------------------|-----------|
| ASM5T | M5 x 12 mm thread-forming Phillips hex head screws | Round holes | 20 |
| PGFM6 | Standard Package - M6 cage nuts and bolts | Rectangular holes | 20 |
| PGFGM6 | Grounding Package - M6 grounding cage nuts and bolts | Tapped holes | 20 |

GRID STRAPS

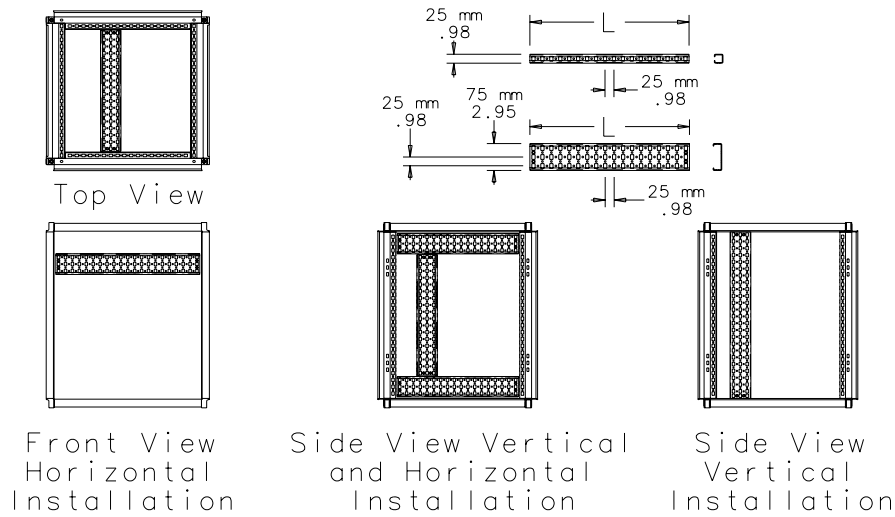


Grid Straps are 14 gauge plated steel. They are provided with specially designed rectangular holes to allow the use of cage nuts or front-loading cage nuts. Mounting holes are provided on 25-mm centers. Grid Straps are available with either 1 row or 3 rows of holes and are furnished in pairs. Mounting hardware to attach Grid Straps to the frame or to other Grid Straps is included.

- Can be mounted front-to-back horizontally across the bottom or sides of the PROLINE frame
- Can be mounted left-to-right horizontally between front-to-back pairs or from the sides of the PROLINE frame
- Can be mounted vertically between horizontally mounted Grid Straps

| Catalog Number | Hole Pattern | L (mm) | L (in.) | Fits Frame Depth | Fits Frame Width |
|----------------|--------------|--------|---------|------------------|------------------|
| PGH1S5 | One Row | 342 | 13.46 | 500 | — |
| PGH1S6 | One Row | 442 | 17.40 | 600 | — |
| PGH1S7 | One Row | 542 | 21.34 | 700 | 600 |
| PGH1S8 | One Row | 642 | 25.28 | 800 | 700 |
| PGH1S9 | One Row | 742 | 29.21 | 900 | 800 |
| PGH1S10 | One Row | 842 | 33.15 | 1000 | 900 |
| PGH1S11 | One Row | 942 | 37.08 | — | 1000 |
| PGH1S13 | One Row | 1142 | 44.96 | — | 1200 |
| PGH1S17 | One Row | 1542 | 60.71 | — | 1600 |
| PGH3S4 | Three Row | 242 | 9.53 | 400 | — |
| PGH3S5 | Three Row | 342 | 13.46 | 500 | — |
| PGH3S6 | Three Row | 442 | 17.40 | 600 | — |
| PGH3S7 | Three Row | 542 | 21.34 | 700 | 600 |
| PGH3S8 | Three Row | 642 | 25.28 | 800 | 700 |
| PGH3S9 | Three Row | 742 | 29.21 | 900 | 800 |
| PGH3S10 | Three Row | 842 | 33.15 | 1000 | 300 |
| PGH3S11 | Three Row | 942 | 37.08 | 1100 | 1000 |
| PGH3S12 | Three Row | 1242 | 48.89 | 1200 | — |
| PGH3S13 | Three Row | 1142 | 44.96 | — | 1200 |
| PGH3S17 | Three Row | 1542 | 60.71 | — | 1600 |

BULLETIN: DPY, P20



87415121