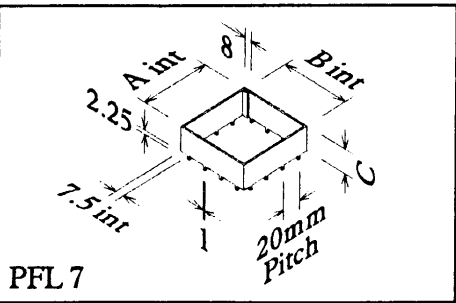
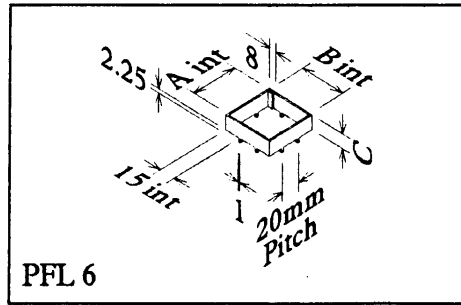
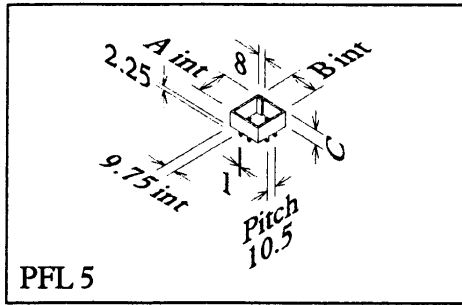
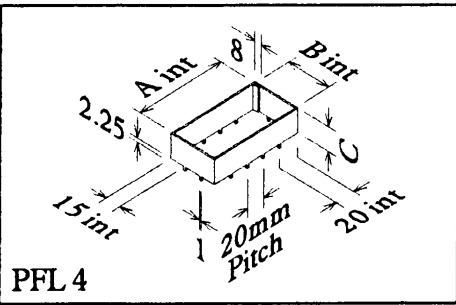
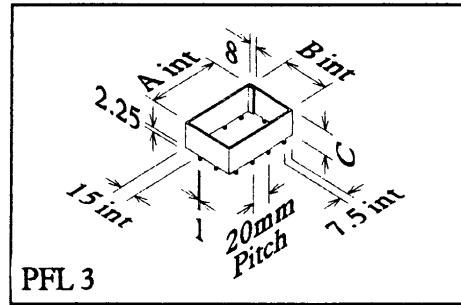
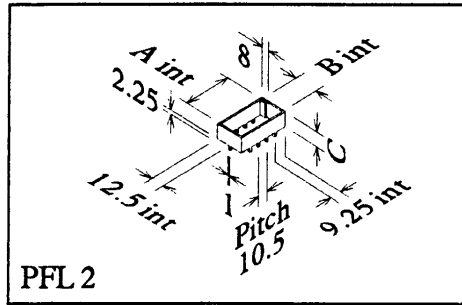
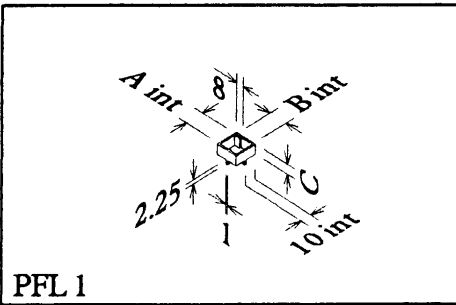
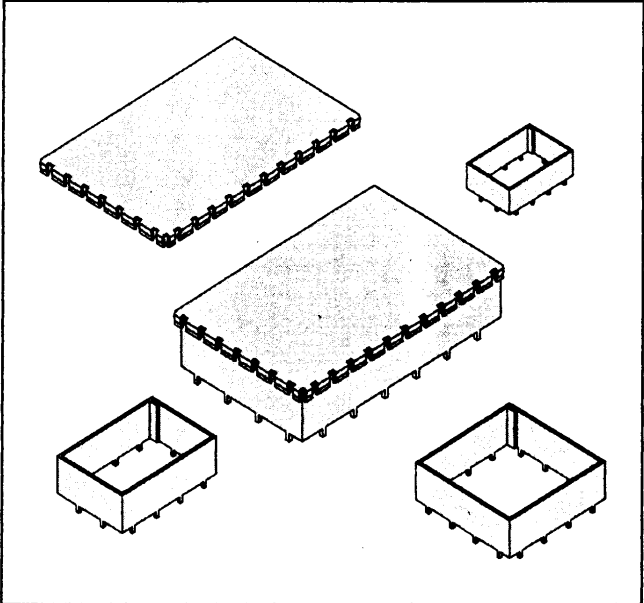


PCB FRAME & FINGERED LID

Individual RFI/EMI Screening Enclosures offer a quick, cost effective and efficient method of specific board level shielding, as opposed to the expensive practice of screening the complete housing. Available for Printed Circuit mounting or in open frame or closed can styles in a range of stock sizes which is constantly being added to. Printed Circuit Screening strips are also available as standard in two heights for partitioning inside the PCB frame. (see back page for details) We also specialise in manufacturing **CUSTOM PRODUCT** which offer many options. No tooling costs are normally incurred which allows even small quantity production to be very affordable. Specialised tooling for larger quantities is suggested where significant savings can be made. Customised versions can be made for existing board layout or our technical staff will work with you to achieve cost efficient designs to suit your production facilities. (see back page for details)

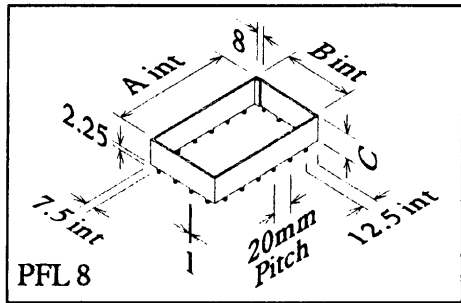
STOCK SIZES - Internal & overall dimensions (mm)

Part No.	Dimension	Dimension	Dimension	Nominal overall size incl. lid (excl. pins)
	A	B	C	
PFL1	20	20	10	24 x 24 x 11
PFL5	30	30	15	34 x 34 x 16
PFL2	50	25	15	54 x 29 x 16
PFL6	50	50	15	54 x 54 x 16
PFL3	75	50	25	79 x 54 x 26
PFL7	75	75	25	79 x 79 x 26
PFL4	100	50	25	104 x 54 x 26
PFL8	125	75	25	129 x 79 x 26



Specification

Material: Bright steel BS1449 Pt.1 CR4
Frames & Cans: 20swg (0.914mm)
Lids: 24swg (0.559mm)
Hot tin dip: 60:40 tin-lead BS219 grade K
Surface resistivity: 20 x 10⁶ ohms per square
Conductivity: 5 x 10⁴ mho
Tolerance: +/- 0.25mm (general)
 +/- 0.10mm (PCB pin pitch)

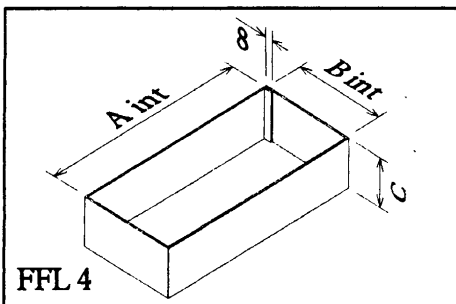
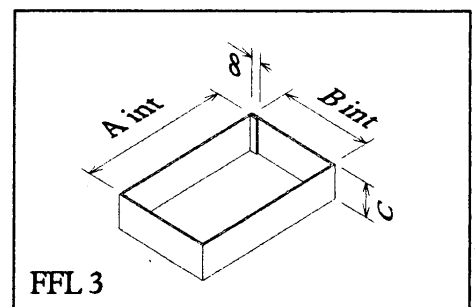
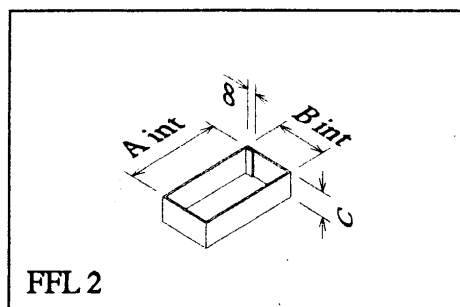
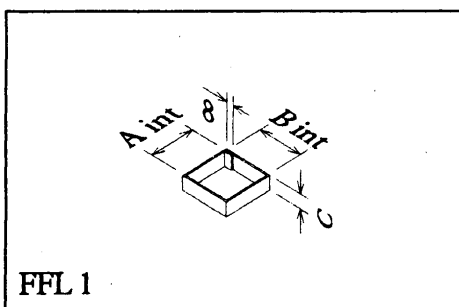
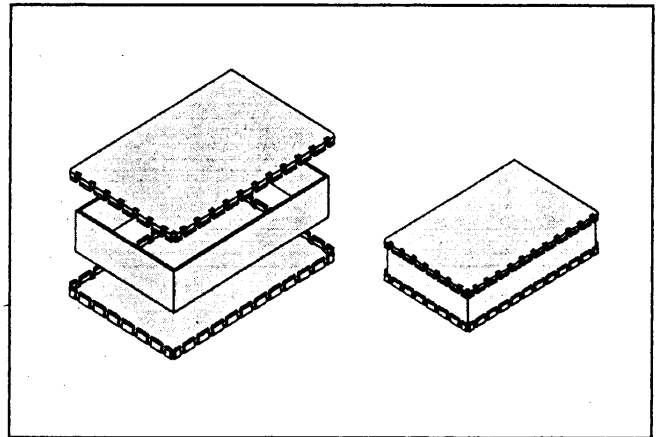


CUSTOM DESIGN

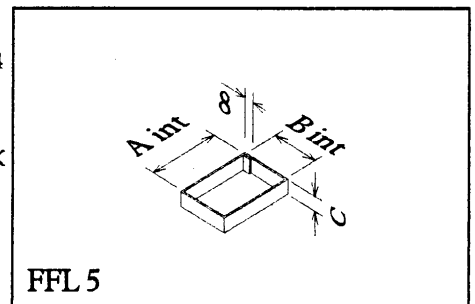
FRAME & FINGERED LIDS

STOCK SIZES - Internal & overall dimensions (mm)

Part No.	Dimension A	Dimension B	Dimension C	Nominal overall size incl. lid
FFL1	50	50	15	54 x 54 x 17
FFL5	75	50	15	79 x 54 x 17
FFL2	100	50	25	104 x 54 x 27
FFL3	160	100	35	164 x 104 x 37
FFL4	220	100	50	224 x 104 x 52



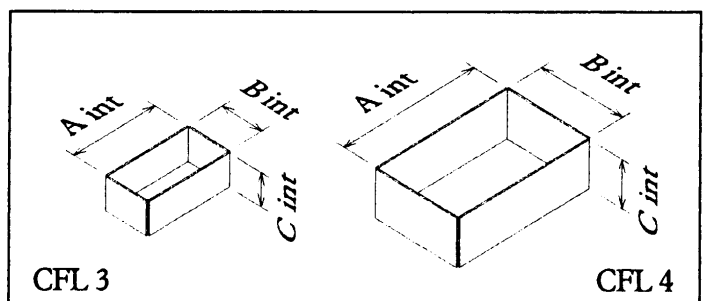
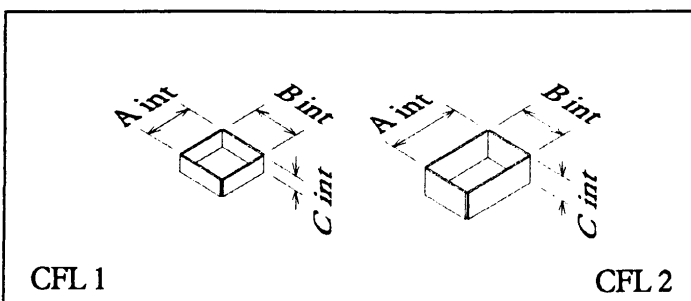
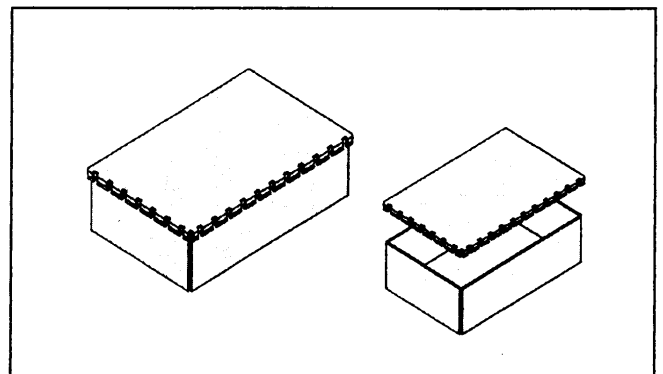
FFL Specification CFL
Material: Bright steel BS1449 Pt.1 CR4
Frames & Cans: 20swg (0.914mm)
Lids: 24swg (0.559mm)
Hot tin dip: 60:40 tin-lead BS219 grade K
Surface resistivity: 20×10^6 ohms per square
Conductivity: 5×10^4 mho
General tolerance: +/- 0.25mm



CAN & FINGERED LID

STOCK SIZES - Internal & overall dimensions (mm)

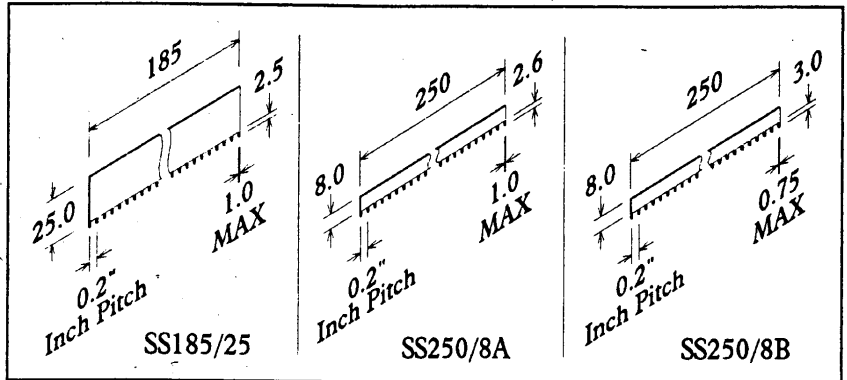
Part No.	Dimension A	Dimension B	Dimension C	Nominal overall size incl. lid
CFL1	50	50	15	54 x 54 x 17
CFL2	75	50	25	79 x 54 x 27
CFL3	100	50	35	104 x 54 x 37
CFL4	160	100	50	164 x 104 x 52



SCREENING STRIPS

STOCK SIZES

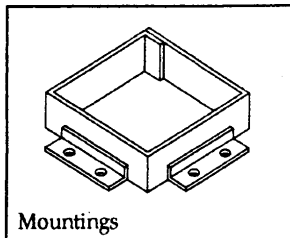
Part No.	Dimension A (mm)	Dimension B (mm)	Material thickness
SS185/25	185	25	20swg
SS250/8A	250	08	0.6mm
SS250/8B	250	08	0.6mm



Material. SS185 20swg mild steel hot tin dipped. SS250 0.6mm electroplated steel sheet. General tolerance +/- 0.25mm. Pin pitch +/- 0.10mm

CUSTOM OPTIONS

DESIGN YOUR OWN ENCLOSURES CHOOSING FROM OUR STANDARD STYLES



Mountings

STYLE.
DIMENSIONS.

MATERIAL.

FINISH.

EXT. MOUNTING.

APERTURES.

CORNER OVERLAP.

THREADED BUSHES.

THREADED STUDS.

INTERNAL DIVIDERS.

PCB LOCATIONS.

PCB MOUNTING PINS.

EARTH TERMINALS.

LID FINGERING.

LID FEATURES.

MARKING.

PCB MOUNTING CAN.

Specify PFL, CFL or FFL (see prev. pages).

Specify length, width & height as internal. Others from centre lines.

Steel to our std. spec. (see prev. pages). Choices include tin plate; copper; brass; aluminium. Specify gauge.

Hot Tin Dip (see standard spec. on previous pages).

Other choices include bright or semi-bright nickel;

electroless nickel; bright tin lead (70:30); bright zinc;

alocrom; anodising; precious metals.

Specify type, size and position. Options include brackets, threaded bushes or studs.

Specify styles, size and position. Most common connector holes are available as standard.

Specify position. Normally internal 8mm (min. is 5mm).

External option available.

Specify thread size (metric preferred) and position.

Option of miniature or standard.

Specify thread size, length (metric preferred) and position.

Specify as required. Can be supplied loose, spot welded in position or with tabs to mate with slots in frame or can.

Multi compartment style can be achieved by a labyrinth of internal dividers.

Specify lancing position. (preferred minimum 5mm from any cut edge or corner). Can be horizontal or vertical and also staggered to act as vertical mounting guides. See lancing diagram.

Specify size/position. Min. length 1mm, width 0.75mm.

Specify type, size, and position. Options include push-on tabs; solder tags; threaded studs; impressed earth symbol.

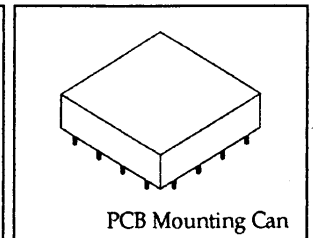
Whilst size and style is standard, it is possible to omit fingers where necessary to create clearance, etc.

If any of the above features requiring dimensions need to be specified for the lids, please show dimensions from centre lines.

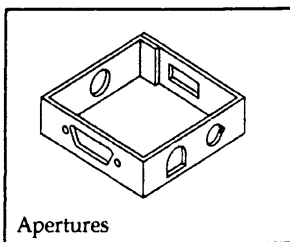
Alpha numeric 2mm impressed characters available as standard. Also earth symbol. Specify position.

Lower cost can style option where access is not necessary.

TO ASSIST IN DESIGN WE ARE PLEASED TO SUPPLY
OUTLINE DRAWINGS OF OUR STANDARD STYLES WHICH
CAN BE ADAPTED TO SPECIFY YOUR CUSTOM VERSION



PCB Mounting Can



Apertures

INTERNAL DIVIDERS.

PCB LOCATIONS.

PCB MOUNTING PINS.

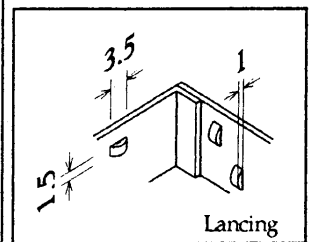
EARTH TERMINALS.

LID FINGERING.

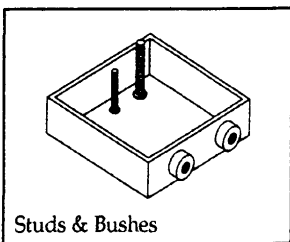
LID FEATURES.

MARKING.

PCB MOUNTING CAN.

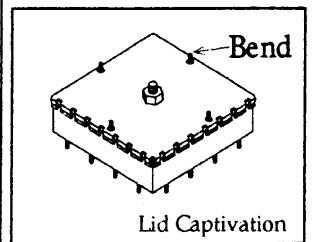


Lancing

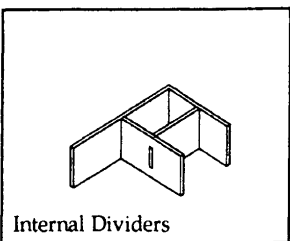


Studs & Bushes

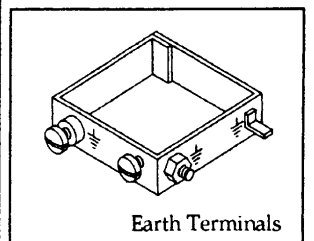
TO ASSIST IN DESIGN WE ARE PLEASED TO SUPPLY
OUTLINE DRAWINGS OF OUR STANDARD STYLES WHICH
CAN BE ADAPTED TO SPECIFY YOUR CUSTOM VERSION



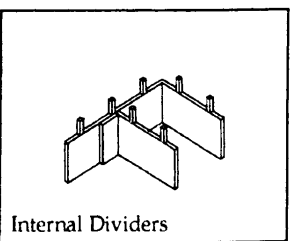
Lid Captivation



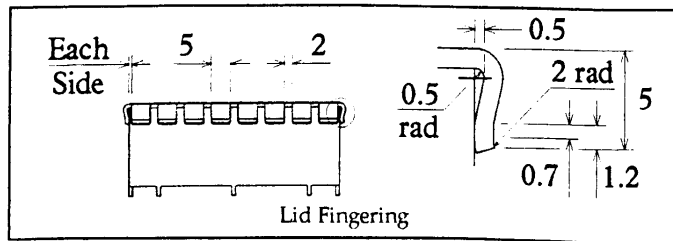
Internal Dividers



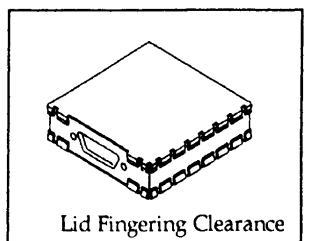
Earth Terminals



Internal Dividers



Lid Fingering



Lid Fingering Clearance