

**SERIES:** PEM2-S | **DESCRIPTION:** DC-DC CONVERTER**FEATURES**

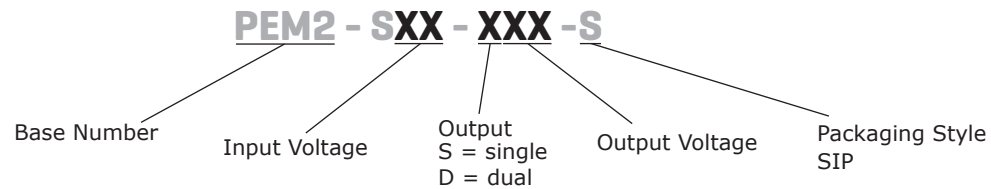
- 2 W isolated output
- smaller package
- single/dual unregulated output
- 3,000 Vdc isolation
- short circuit protection
- extended temperature range (-40~105°C)
- antistatic protection up to 8kV
- high efficiency at light load
- efficiency up to 86%
- EN 62368-1



| MODEL                       | input voltage |                | output voltage<br>(Vdc) | output current |             | output power<br>max<br>(W) | ripple and noise <sup>2</sup><br>typ<br>(mVp-p) | efficiency<br>typ<br>(%) |
|-----------------------------|---------------|----------------|-------------------------|----------------|-------------|----------------------------|---|--------------------------|
|                             | typ<br>(Vdc)  | range<br>(Vdc) |                         | min<br>(mA)    | max<br>(mA) |                            |   |                          |
| PEM2-S5-S5-S <sup>1</sup>   | 5             | 4.5~5.5        | 5                       | 40             | 400         | 2                          | 75  | 82                       |
| PEM2-S5-S12-S <sup>1</sup>  | 5             | 4.5~5.5        | 12                      | 17             | 167         | 2                          | 75  | 82                       |
| PEM2-S5-S15-S <sup>1</sup>  | 5             | 4.5~5.5        | 15                      | 13             | 133         | 2                          | 75  | 83                       |
| PEM2-S5-S24-S <sup>1</sup>  | 5             | 4.5~5.5        | 24                      | 8              | 83          | 2                          | 75  | 84                       |
| PEM2-S5-D5-S <sup>1</sup>   | 5             | 4.5~5.5        | ±5                      | ±20            | ±200        | 2                          | 75  | 80                       |
| PEM2-S5-D12-S <sup>1</sup>  | 5             | 4.5~5.5        | ±12                     | ±8             | ±83         | 2                          | 75  | 83                       |
| PEM2-S5-D15-S <sup>1</sup>  | 5             | 4.5~5.5        | ±15                     | ±7             | ±67         | 2                          | 75  | 82                       |
| PEM2-S5-D24-S <sup>1</sup>  | 5             | 4.5~5.5        | ±24                     | ±4             | ±42         | 2                          | 75  | 84                       |
| PEM2-S12-S5-S <sup>1</sup>  | 12            | 10.8~13.2      | 5                       | 40             | 400         | 2                          | 75  | 82                       |
| PEM2-S12-S12-S <sup>1</sup> | 12            | 10.8~13.2      | 12                      | 17             | 167         | 2                          | 75  | 84                       |
| PEM2-S12-S15-S <sup>1</sup> | 12            | 10.8~13.2      | 15                      | 13             | 133         | 2                          | 75  | 85                       |
| PEM2-S12-D5-S <sup>1</sup>  | 12            | 10.8~13.2      | ±5                      | ±20            | ±200        | 2                          | 75  | 80                       |
| PEM2-S12-D12-S <sup>1</sup> | 12            | 10.8~13.2      | ±12                     | ±8             | ±83         | 2                          | 75  | 84                       |
| PEM2-S12-D15-S <sup>1</sup> | 12            | 10.8~13.2      | ±15                     | ±7             | ±67         | 2                          | 75  | 84                       |
| PEM2-S15-S5-S               | 15            | 13.5~16.5      | 5                       | 40             | 400         | 2                          | 75  | 80                       |
| PEM2-S15-D15-S              | 15            | 13.5~16.5      | ±15                     | ±7             | ±67         | 2                          | 75  | 84                       |
| PEM2-S24-S5-S <sup>1</sup>  | 24            | 21.6~26.4      | 5                       | 40             | 400         | 2                          | 75  | 80                       |
| PEM2-S24-S12-S <sup>1</sup> | 24            | 21.6~26.4      | 12                      | 17             | 167         | 2                          | 75  | 84                       |
| PEM2-S24-S15-S <sup>1</sup> | 24            | 21.6~26.4      | 15                      | 13             | 133         | 2                          | 75  | 86                       |
| PEM2-S24-S24-S <sup>1</sup> | 24            | 21.6~26.4      | 24                      | 8              | 83          | 2                          | 75  | 86                       |
| PEM2-S24-D5-S <sup>1</sup>  | 24            | 21.6~26.4      | ±5                      | ±20            | ±200        | 2                          | 75  | 80                       |
| PEM2-S24-D12-S <sup>1</sup> | 24            | 21.6~26.4      | ±12                     | ±8             | ±83         | 2                          | 75  | 84                       |
| PEM2-S24-D15-S <sup>1</sup> | 24            | 21.6~26.4      | ±15                     | ±7             | ±67         | 2                          | 75  | 84                       |

Notes: 1. UL approved  
 2. Ripple and noise are measured at 20 MHz BW by "parallel cable" method with 1  $\mu$ F ceramic and 10  $\mu$ F electrolytic capacitors on the output.

## PART NUMBER KEY



## INPUT

| parameter               | conditions/description  | min  | typ | max  | units |
|-------------------------|-------------------------|------|-----|------|-------|
| operating input voltage | 5 Vdc input models      | 4.5  | 5   | 5.5  | Vdc   |
|                         | 12 Vdc input models     | 10.8 | 12  | 13.2 | Vdc   |
|                         | 15 Vdc input models     | 13.5 | 15  | 16.5 | Vdc   |
|                         | 24 Vdc input models     | 21.6 | 24  | 26.4 | Vdc   |
| surge voltage           | for maximum of 1 second |      |     |      |       |
|                         | 5 Vdc input models      | -0.7 |     | 9    | Vdc   |
|                         | 12 Vdc input models     | -0.7 |     | 18   | Vdc   |
|                         | 15 Vdc input models     | -0.7 |     | 21   | Vdc   |
|                         | 24 Vdc input models     | -0.7 |     | 30   | Vdc   |
| filter                  | capacitance filter      |      |     |      |       |

## OUTPUT

| parameter               | conditions/description              | min | typ  | max   | units |
|-------------------------|-------------------------------------|-----|------|-------|-------|
| line regulation         | for Vin change of 1%                |     |      | ±1.2  | %     |
| load regulation         | measured from 10% load to full load |     |      |       |       |
|                         | 5 Vdc output models                 |     | 12   |       | %     |
|                         | 12 Vdc output models                |     | 8    |       | %     |
|                         | 15 Vdc output models                |     | 7    |       | %     |
|                         | 24 Vdc output models                |     | 6    |       | %     |
| voltage accuracy        | see tolerance envelope curves       |     |      |       |       |
| voltage balance         | dual output, balanced loads         |     | ±0.5 | ±1    | %     |
| switching frequency     | 100% load, nominal input voltage    |     | 100  |       | kHz   |
| temperature coefficient | 100% load                           |     |      | ±0.03 | %/°C  |

## PROTECTIONS

| parameter                             | conditions/description  | min | typ | max | units |
|---------------------------------------|---|-----|-----|-----|-------|
| short circuit protection <sup>1</sup> | 12, 15, & 24 Vdc input models; PEM2-S5-S24-S, PEM2-S5-D24-S<br>all other models: continuous, automatic recovery |     |     | 1   | s     |

Notes: 1. The supply voltage must be discontinued at the end of the short circuit duration

## SAFETY AND COMPLIANCE

| parameter                     | conditions/description   | min       | typ | max | units |
|-------------------------------|--|-----------|-----|-----|-------|
| isolation voltage             | input to output, for 1 minute at 1 mA max.   | 3,000     |     |     | Vdc   |
| isolation resistance          | input to output, at 500 Vdc  | 1,000     |     |     | MΩ    |
| safety approvals <sup>2</sup> | certified to 62368-1: EN<br>certified to 60950-1: UL   |           |     |     |       |
| conducted/radiated emissions  | CISPR32/EN55032 class B (external circuit required, see Figure 1)  |           |     |     |       |
| ESD                           | IEC/EN61000-4-2, class B, contact ± 8kV for single outputs<br>IEC/EN61000-4-2, class B, contact ± 6kV for dual outputs |           |     |     |       |
| MTBF                          | as per MIL-HDBK-217F @ 25°C  | 3,500,000 |     |     | hours |
| RoHS                          | 2011/65/EU   |           |     |     |       |

Notes: 2. See specific models noted on page 1

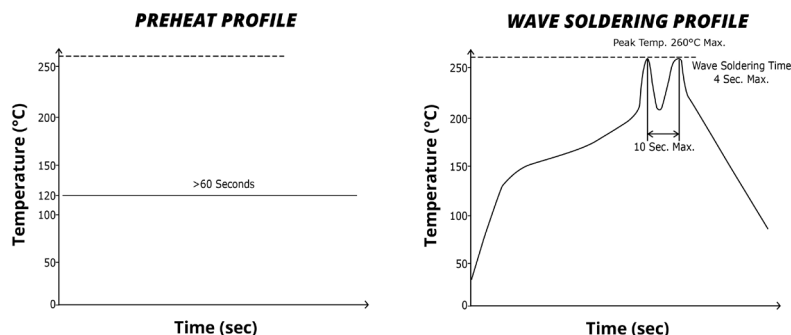
## ENVIRONMENTAL

| parameter             | conditions/description  | min | typ | max | units |
|-----------------------|-------------------------|-----|-----|-----|-------|
| operating temperature | see derating curve      | -40 |     | 105 | °C    |
| storage temperature   |                         | -55 |     | 125 | °C    |
| storage humidity      | non-condensing          |     |     | 95  | %     |
| temperature rise      | at full load, Ta = 25°C |     | 25  |     | °C    |

## SOLDERABILITY

| parameter                   | conditions/description          | min | typ | max | units |
|-----------------------------|---------------------------------|-----|-----|-----|-------|
| hand soldering              | 1.5 mm from case for 10 seconds |     |     | 300 | °C    |
| wave soldering <sup>1</sup> | see wave soldering profile      |     |     | 260 | °C    |

Notes: 1. Preheat conditions: At 120°C for over 1 minute.



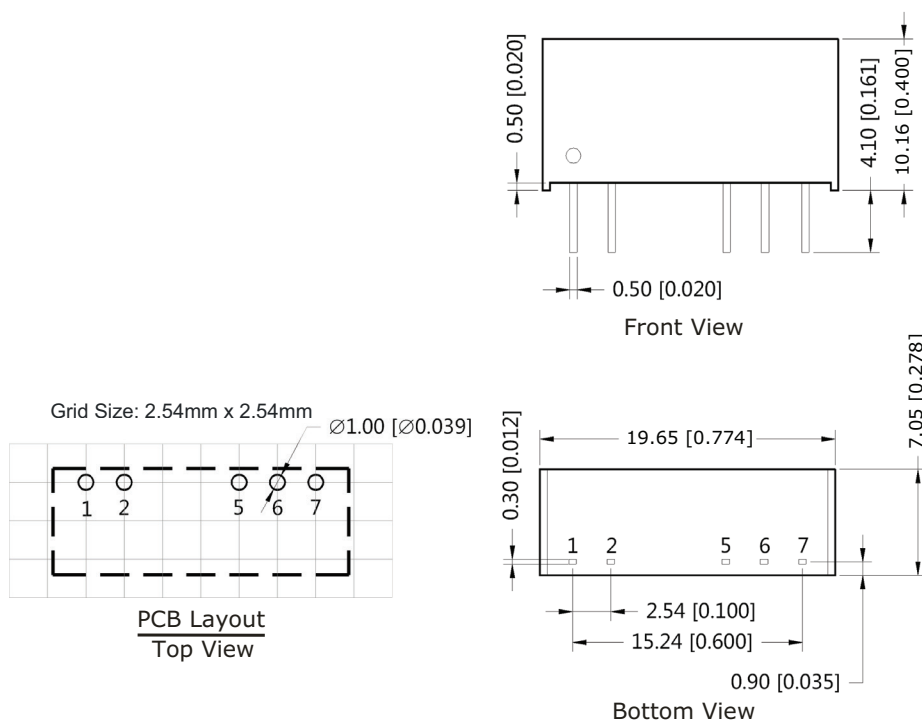
## MECHANICAL

| parameter     | conditions/description                            | min | typ | max | units |
|---------------|---|-----|-----|-----|-------|
| dimensions    | 19.65 x 7.05 x 10.16 (0.774 x 0.278 x 0.400 inch) |     |     |     | mm    |
| case material | plastic (UL94-V0)                                 |     |     |     |       |
| weight        |   |     | 2.4 |     | g     |

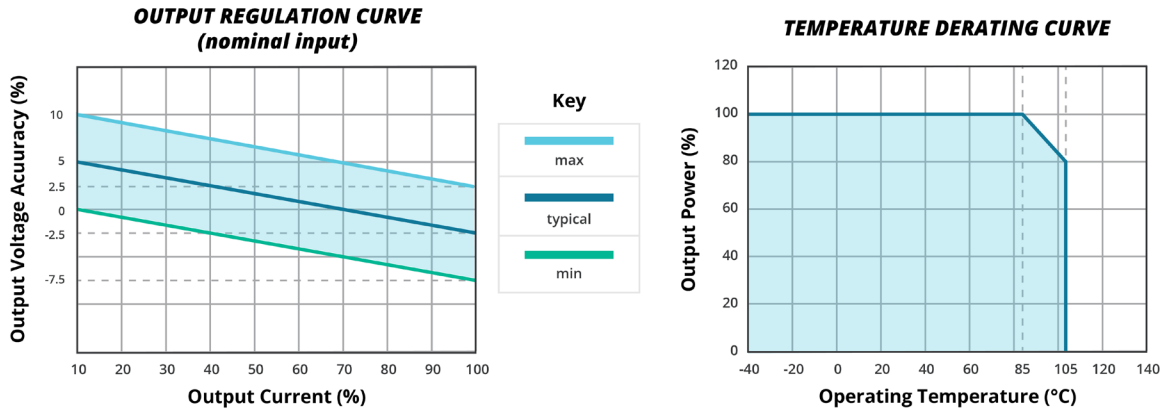
## MECHANICAL DRAWING

units: mm[inch]  
 tolerance: ±0.25[±0.010]  
 pin section tolerance: ±0.10[±0.004]

| PIN CONNECTIONS |               |             |
|-----------------|---------------|-------------|
| PIN             | Single Output | Dual Output |
| 1               | Vin           | Vin         |
| 2               | GND           | GND         |
| 5               | 0V            | -Vo         |
| 6               | No Pin        | 0V          |
| 7               | +Vo           | +Vo         |



## DERATING CURVES



## EMC RECOMMENDED CIRCUIT

Figure 1

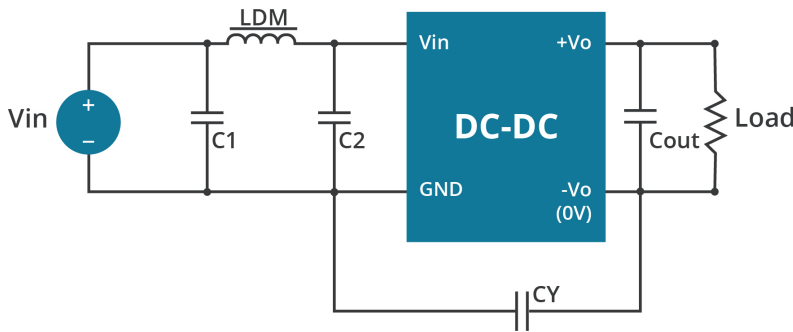


Table 1

| Recommended external circuit components |                 |         |             |
|---|-----------------|---------|-------------|
| $V_{in}$ (Vdc)                          | C1, C2          | CY      | LDM         |
| 5                                       | 4.7 $\mu$ F/50V | -       | 6.8 $\mu$ H |
| 12                                      | 4.7 $\mu$ F/50V | -       | 6.8 $\mu$ H |
| 15                                      | 4.7 $\mu$ F/50V | -       | 6.8 $\mu$ H |
| 24                                      | 4.7 $\mu$ F/50V | 1nF/3kV | 6.8 $\mu$ H |

Note: 1. See Table 3 for  $C_{out}$  values.

## TEST CONFIGURATION

Figure 2

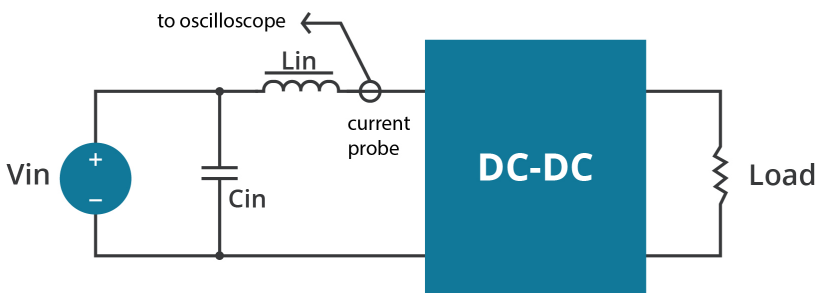


Table 2

| External components |  |
|---------------------|--|
| $L_{in}$            | 4.7 $\mu$ H                                |
| $C_{in}$            | 220 $\mu$ F, ESR < 1.0 $\Omega$ at 100 kHz |

Note: Input reflected-ripple current is measured with an inductor  $L_{in}$  and Capacitor  $C_{in}$  to simulate source impedance.

## APPLICATION NOTES

### 1. Output load requirement

To ensure this module can operate efficiently and reliably, the minimum output load may not be less than 10% of the full load during operation. If the actual output power is low, connect a resistor at the output end in parallel to increase the load.

### 2. Overload Protection

Under normal operating conditions, the output circuit of this product has no protection against overload. The simplest method to add this is to add a circuit breaker to the circuit.

### 3. Recommended circuit

If you want to further decrease the input/output ripple, you can increase the capacitance accordingly or choose capacitors with low ESR (see Figure 3 & Table 3). However, the capacitance of the output filter capacitor must be appropriate. If the capacitance is too high, a startup problem might arise. For every channel of the output, to ensure safe and reliable operation, the maximum capacitance must be less than the maximum capacitive load (see Table 4).

Figure 3

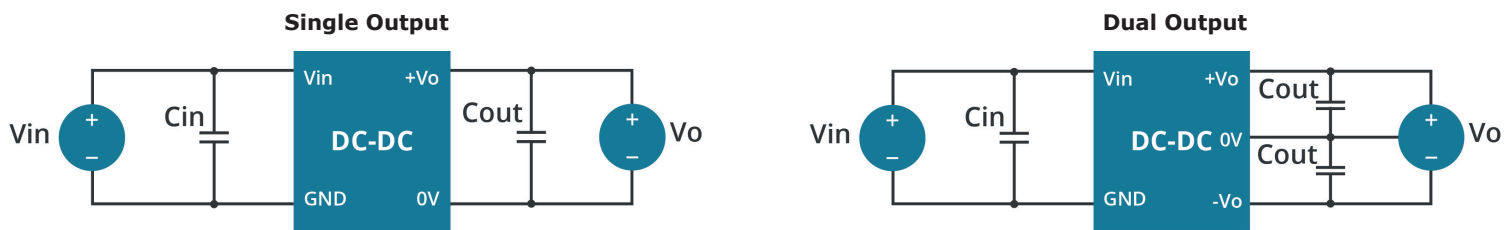


Table 3

| Vin (Vdc) | Cin (μF) | Single Vo (Vdc) | Cout (μF) | Dual Vo (Vdc) | Cout (μF) |
|-----------|----------|-----------------|-----------|---------------|-----------|
| 5         | 4.7      | 5               | 10        | ±5            | 4.7       |
| 12        | 2.2      | 12              | 2.2       | ±12           | 1         |
| 15        | 2.2      | 15              | 1         | ±15           | 0.47      |
| 24        | 1        | 24              | 1         | ±24           | 0.47      |

Table 4

| Single Vout (Vdc) | Max. Capacitive Load (μF) | Dual Vout (Vdc) | Max. Capacitive Load <sup>1</sup> (μF) |
|-------------------|---------------------------|-----------------|--|
| 5                 | 220                       | 5               | 100                                    |
| 12                | 220                       | 12              | 100                                    |
| 15                | 220                       | 15              | 100                                    |
| 24                | 220                       | 24              | 100                                    |

Note: 1. For each output.

### 4. Output Voltage Regulation and Over-voltage Protection Circuit

The device for output voltage regulation, over-voltage and over-current protection is a linear regulator and a capacitor filtering network with overheat protection, which can be connected to the input or output end in series (see Figure 4). The recommended capacitance of its filter capacitor (see Table 1), and the linear regulator is based on the actual voltage and current required.

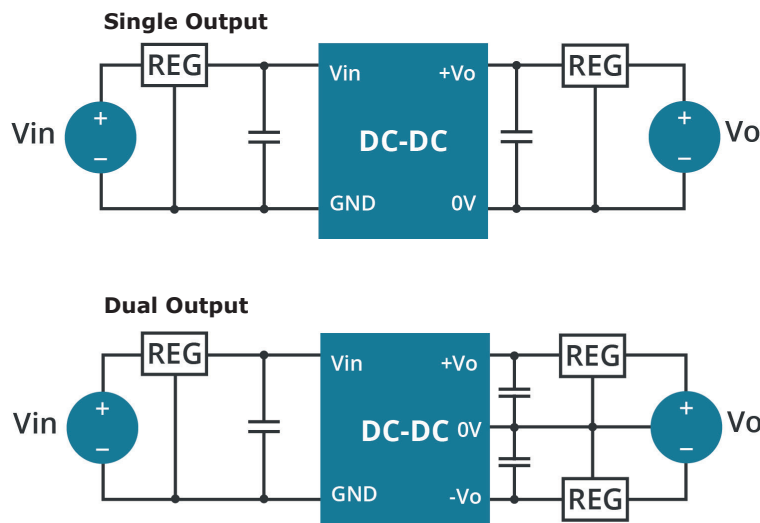


Figure 4

Note: 1. Operation under minimum load will not damage the converter; however, they may not meet all specifications listed.  
 2. Max. capacitive load tested at input voltage range and full load.  
 3. All specifications measured at: Ta=25°C, humidity<75%, nominal input voltage and rated output load, unless otherwise specified.

## REVISION HISTORY

| rev. | description   | date       |
|------|---|------------|
| 1.0  | initial release   | 03/21/2013 |
| 1.01 | added UL approval to some models, updated spec                            | 02/26/2015 |
| 1.02 | added model, updated emc recommendations, updated datasheet               | 11/19/2015 |
| 1.03 | added packaging details   | 07/13/2017 |
| 1.04 | added wave soldering preheat conditions                                   | 12/04/2017 |
| 1.05 | corrected short circuit protection details                                | 10/24/2018 |
| 1.06 | transistor changed from Fairchild FSB560A to Diodes Inc part FMMT619TA    | 12/03/2018 |
| 1.07 | safeties updated in features and safety approvals line, packaging removed | 01/18/2021 |
| 1.08 | derating curves and circuit figures updated                               | 07/13/2021 |

The revision history provided is for informational purposes only and is believed to be accurate.



**CUI INC**  
a bel group

**Headquarters**  
20050 SW 112th Ave.  
Tualatin, OR 97062  
**800.275.4899**

Fax 503.612.2383  
**cui.com**  
techsupport@cui.com

CUI offers a two (2) year limited warranty. Complete warranty information is listed on our website.

CUI reserves the right to make changes to the product at any time without notice. Information provided by CUI is believed to be accurate and reliable. However, no responsibility is assumed by CUI for its use, nor for any infringements of patents or other rights of third parties which may result from its use.

CUI products are not authorized or warranted for use as critical components in equipment that requires an extremely high level of reliability. A critical component is any component of a life support device or system whose failure to perform can be reasonably expected to cause the failure of the life support device or system, or to affect its safety or effectiveness.