

Filtered Power Entry Modules with Single Fuse

pro-ELEC

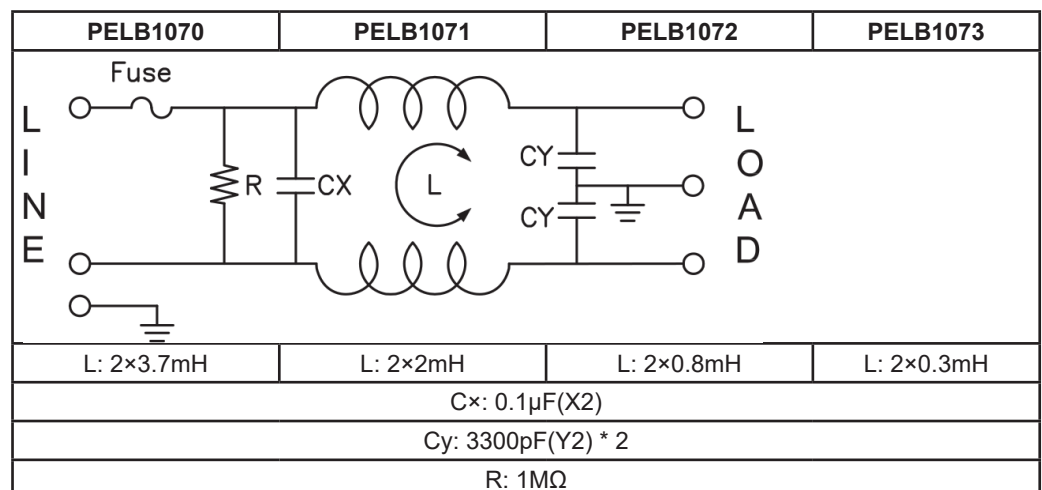
RoHS
Compliant



Characteristics

| Part Number | PELB1070 | PELB1071 | PELB1072 | PELB1073 |
|---|---|----------------------------|----------------------------|------------------------------|
| Voltage Rating | 115/250V AC | | | |
| Current Rating A. @ 115 V AC B. @ 250 V AC | 1A RMS Max. 1A RMS Max. | 2A RMS Max. 2A RMS Max. | 6A RMS Max. 6A RMS Max. | 10A RMS Max. 10A RMS Max. |
| Operating Frequency | 50/60Hz | | | |
| Leakage Current A. @ 115 V AC/60Hz B. @ 250 V AC/50Hz | Each Line to Ground 0.3mA Max. 0.6mA Max. | | | |
| Hipot Rating A. Line to Ground B. Line to Line | (For one minute) 2250V AC 1450V DC | | | |
| Insulation Resistance | 50mΩ at 500V DC any input or output to Ground | | | |
| Temperature Range | -25°C to +85°C | | | |

Electrical Schematic



Filtered Power Entry Modules with Single Fuse

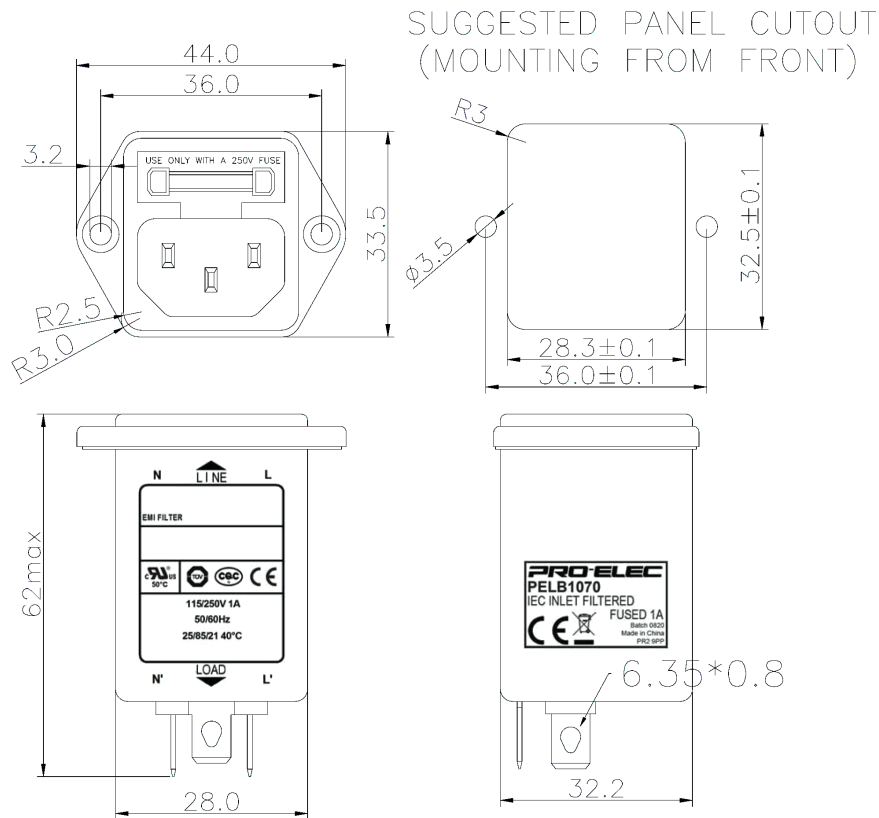


Safety Compliance

CE : 2011NT0616551
 CQC : CQC14001104342/CQC19001226449
 CB : STIEP-3025
 TUV : B0899310001
 UL : E471748

| Dimension Limit | Tolerance |
|-----------------|-----------|
| 0 - 10 | ±0.3 |
| 10 - 100 | ±0.5 |
| 100 - 150 | ±0.8 |
| 150 - 200 | 1.0 |

Physical Dimensions



Part Number Table

| Description | Part Number |
|---|-------------|
| Filtered IEC Inlet C14 with Single Fuse, 250V AC, 1A | PELB1070 |
| Filtered IEC Inlet C14 with Single Fuse, 250V AC, 2A | PELB1071 |
| Filtered IEC Inlet C14 with Single Fuse, 250V AC, 6A | PELB1072 |
| Filtered IEC Inlet C14 with Single Fuse, 250V AC, 10A | PELB1073 |

Important Notice : This data sheet and its contents (the "Information") belong to the members of the AVNET group of companies (the "Group") or are licensed to it. No licence is granted for the use of it other than for information purposes in connection with the products to which it relates. No licence of any intellectual property rights is granted. The Information is subject to change without notice and replaces all data sheets previously supplied. The Information supplied is believed to be accurate but the Group assumes no responsibility for its accuracy or completeness, any error in or omission from it or for any use made of it. Users of this data sheet should check for themselves the Information and the suitability of the products for their purpose and not make any assumptions based on information included or omitted. Liability for loss or damage resulting from any reliance on the Information or use of it (including liability resulting from negligence or where the Group was aware of the possibility of such loss or damage arising) is excluded. This will not operate to limit or restrict the Group's liability for death or personal injury resulting from its negligence. pro-ELEC is the registered trademark of Premier Farnell Limited 2019.

Newark.com/exclusive-brands
 Farnell.com/exclusive-brands
 Element14.com/exclusive-brands

