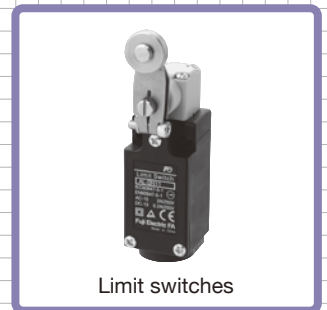


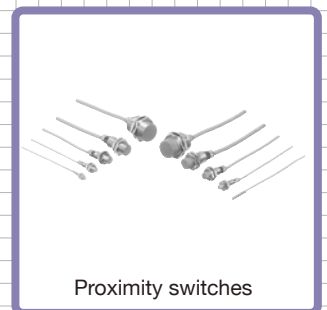
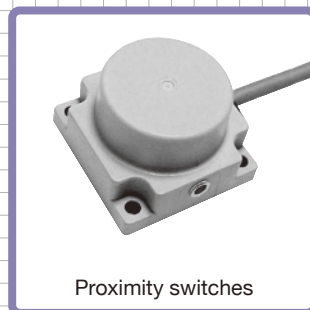
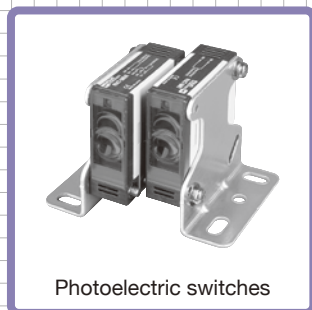
■ LIMIT SWITCHES

■ PROXIMITY SWITCHES

■ PHOTOELECTRIC SWITCHES



LOW
VOLTAGE
EQUIPMENT
Up to 600 Volts



INDIVIDUAL CATALOG **05**
from D&C CATALOG 20th Edition

01 02 03 04 **05** 06 07 08 09 10 11 12

05

Limit switches, Proximity switches Photoelectric switches



	Page
Limit Switches	
General information	05/1
AL and AL-S	05/2
K244	05/16
K244 reversing roller.....	05/21
HK244 and WK244	05/23
Proximity Switches	
General information	05/25
Inductive type	
PE-U12D and PE-U25NT	05/28
PE1-C, PE1-Y.....	05/29
PE-B	05/33
PE-X15D.....	05/36
PE-T	05/37
PE-L.....	05/39
PE2-C.....	05/43
PE-X3D.....	05/47
PE-G4D	05/48
Magnetically operated reed switch type	
PM	05/49
PM1U.....	05/50
AES	05/52
AER	05/53
Photoelectric Switches	
General information	05/54
PH1C	05/56
PH4C	05/61
PH8AU.....	05/65

MINIMUM ORDERS

Orders amounting to **less than ¥10,000** net per order will be charged as ¥10,000 net per order plus freight and other charges.

WEIGHTS AND DIMENSIONS

Weights and dimensions appearing in this catalog are the best information available at the time of going to press.

FUJI ELECTRIC FA has a policy of continuous product improvement, and design changes may make this information out of date.

Please confirm such details before planning actual construction.

INFORMATION IN THIS CATALOG IS SUBJECT TO CHANGE WITHOUT NOTICE.

Limit switches, AL and K244 series

■ Description

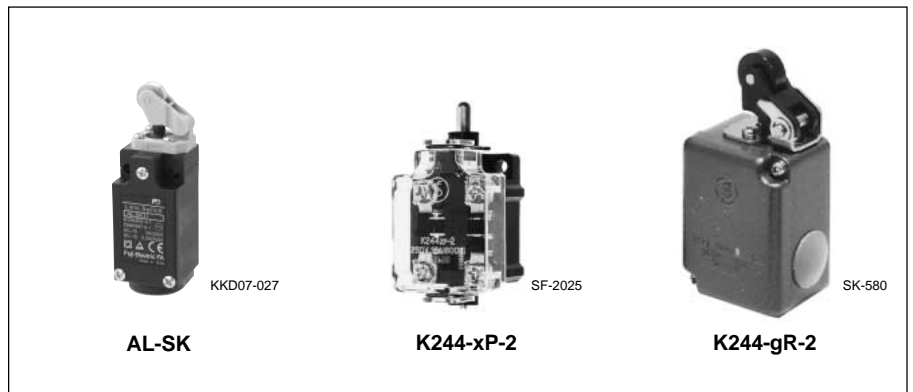
FUJI AL and K244 series limit switches have wide application in such industrial equipment as machine tools, printing machines, and transfer machines. These switches feature a sturdy aluminum die-cast housing that is highly resistant to oil, water, and dust, and long mechanical life — 10 million operations minimum.

AL series

AL and AL-S series limit switches feature a forced contact opening mechanism.

Under abnormal conditions, the mechanism forces the contacts open to prevent pitting and fusing.

Gold-plated silver contacts with scrubbing action have high reliability.



K244 series

The K244 series is provided with four kinds of contact operating action: standard normal stroke, snap action, make-before-break, and extended stroke.

WK244 of the K244 series has bifurcated contacts, while HK244 features a scrubbing action mechanism. These limit switches can be used in low-level circuits of 3V, 5mA.

■ Selection guide

Basic type	AL Standard	AL-S Compact type	K244 Standard	HK244 For low-level circuit	WK244 For low-level circuit
Rated voltage (max.)	550V AC, 250V DC*1		550V AC/DC		
Rated thermal current	10A (5A*1)		10A		
Operating cycles per hour	7,200		3,000		
Expected life (operations)	10 millions 100,000 (at 125V AC, 5A res. load for snap action type)		10 millions 1 million*2 (at 220V AC, 10A res. load)	10 millions 400,000 (at 220V AC, 10A res. load)	10 millions 500,000 (at 220V AC, 2.5A res. load)
Contact arrangement	1NO+1NC		1NO+1NC, 2NO+2NC		
Contact	Single button		Single button		Bifurcated
Degree of protection (IEC)	IP67		-		
Features	Forced contact opening mechanism as standard Highly reliable gold-plated silver contacts		A wide variety of contact operating action Sealed types for oily and wet environments		
Page	05/2		05/16	05/23	05/23

*1: For snap action type

*2: 400,000 for snap action type

Limit Switches

AL and AL-S

General information

Forced contact opening limit switches, AL and AL-S series

■ Description

The AL and AL-S series limit switches feature a forced contact opening mechanism. This mechanism prevents contact welding and subsequent malfunctioning. These series therefore result in extremely dependable system controls.

The AL series is available in standard sizes and the AL-S series is compact versions of the AL types.

■ Features

- The forced contact opening mechanism is provided so as to overcome contact problems.
- Gold-plated contacts and a self cleaning action ensure contact reliability.
- Sealed construction
Double oil seals prevent moving parts and contacts from being contaminated by exterior oil, grime and grease, an advantage in dirty industrial locations.
- Operational mode indicator can replace existing cover with lamp indicator cover when required. An LED or neon lamp is used depending on supply voltage.
- Contact mechanical design
Contact operating mechanisms can be selected according to the application-snap, overlap and normal actions
- Conform to IEC Standard

■ Contact ratings

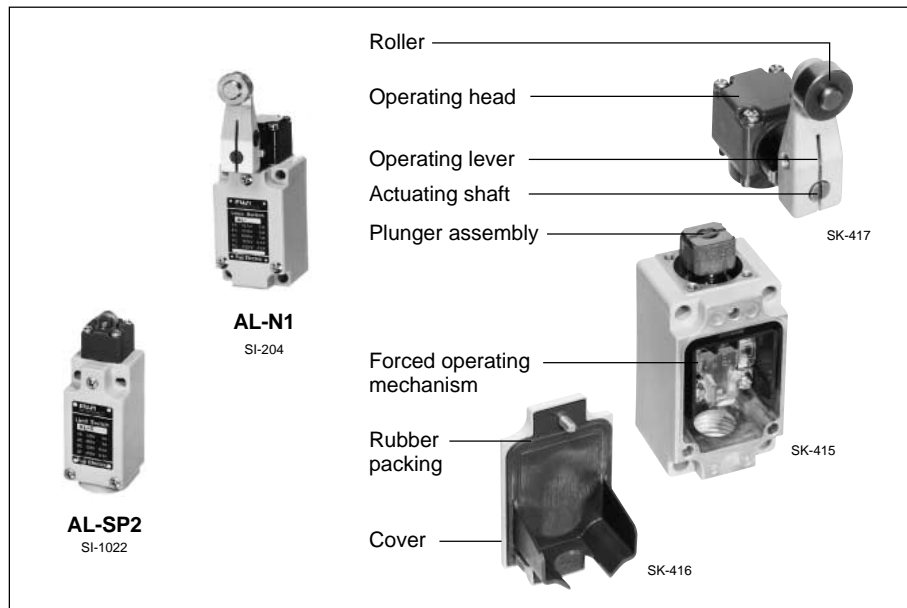
Contact action	Thermal current (A)	Make and break current *			DC		
		AC Voltage (V)	Resistive (A)	Inductive (A)	Voltage (V)	Resistive (A)	Inductive (A)
Snap	5	125	5	3	30 or less	5	3
		250	3	2	125	0.4	0.05
		500	1	0.6	250	0.2	0.03
Normal Overlap	10	24	10	10	24	7	7
		110	10	10	110	1.5	0.9
		220	10	10	220	0.63	0.28
		440	5	5	440	0.28	0.14
		550	3	3	550	0.22	0.1

*: When NO and NC contacts are wired in the same potential.

■ UL listed (File No. E44592)

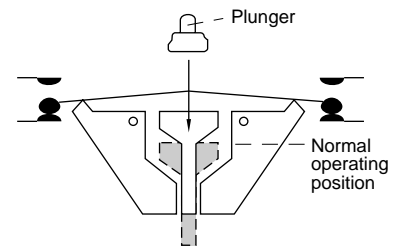
Contact ratings

AC (B300) Voltage (V)	Operational current (A)		DC Voltage (V)	Operational current (Res. load) (A)
	Make	Break		
120	30	3	30	5
240	15	1.5	125	0.4
			250	0.2



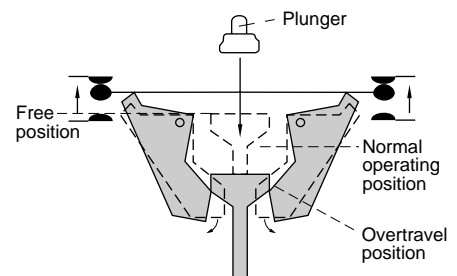
■ Forced contact opening mechanism

This mechanism does not operate under normal conditions. However, when the switch plunger overtravels under abnormal conditions the mechanism comes into operation and forcibly opens the NC contacts thus preventing contact welding. This action improves the dependability of electrical systems.



Switching is carried out at the normal operating position

Normal operating condition



The mechanism operates to open the contacts when the plunger overtravels

Abnormal condition

■ Technical data

Insulation resistance:

Over 100MΩ at 500V DC

Life expectancy

Mechanical: Over 10 million operations

Electrical: Snap action type

100,000 operations at

125V AC 5A res. load

Normal action type

100,000 operations at

110V AC 10A res. load

Allowable ambient temperature:

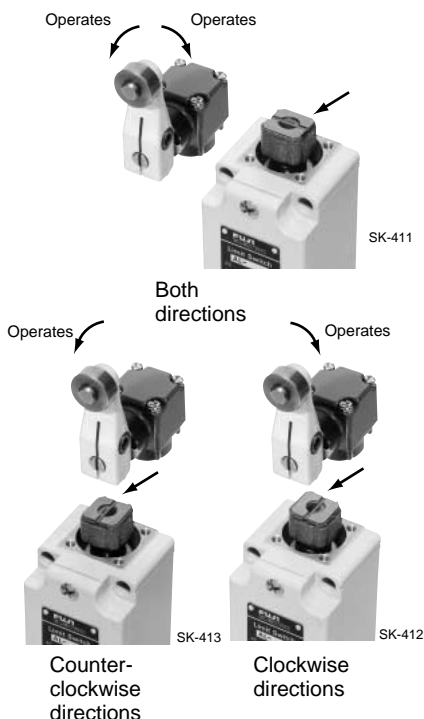
-10°C to +80°C

Degree of protection: IEC IP67

Directional contact operation

AL-N1, AL-N2 and AL-N3 can be modified in their operational directions. They will switch in both directions, or in only one direction, either clockwise or counterclockwise. The adjustment is easily carried out by removing the operating head and changing the plunger as shown in the photograph. After the plunger has been reassembled, replace the head and tighten the screws. Check operation by moving the arm in the desired direction.

Standard operating position



Changing direction of operating head

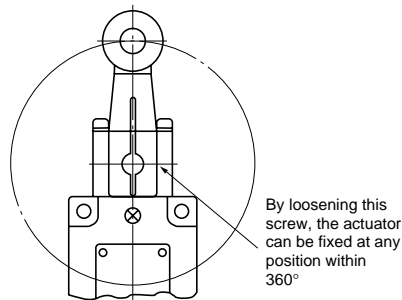
The operating head direction can be changed through 90° after having removed the screw. Care must be taken because the contact action changes according to the direction of the plunger assembly. Check for correct assembly after each step has been completed. Limit switches with adjustable head direction are AL-N1, AL-N2, AL-N3, AL-SN1, AL-SN2 and AL-SN3. In the case of AL-P2 and AL-SP2, the head direction of a top push roller plunger type can be shifted 90° in either direction.



Adjustment of operating lever

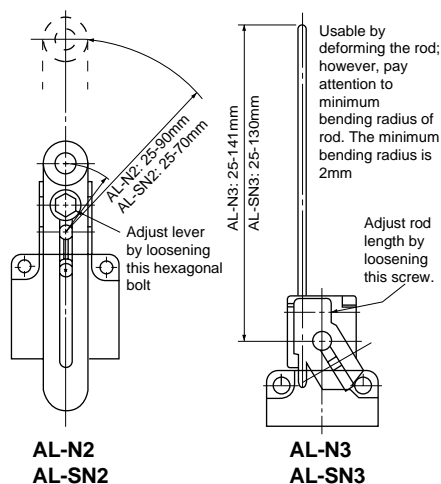
Loosen the locking screw, turn over the lever and then retighten at the required position.

Type:
AL-N1, AL-N2, AL-N3, AL-SN1,
AL-SN2, AL-SN3, AL-F1.

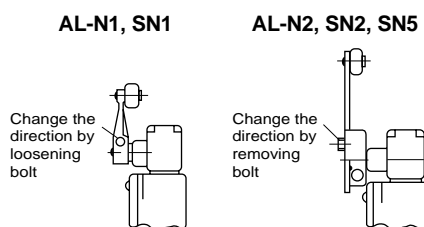


Adjustment of lever length

Loosen the adjustment screw, adjust the length and retighten.



Roller installable on inner side



Dimensions:

See pages 05/13 to 05/15.

Ordering information

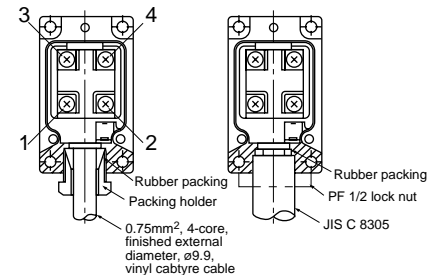
Specify the following:

1. Type number or ordering code

Cable connection

Refer to the wiring diagram for connection.

When connecting to conduit remove the plastic packing piece.

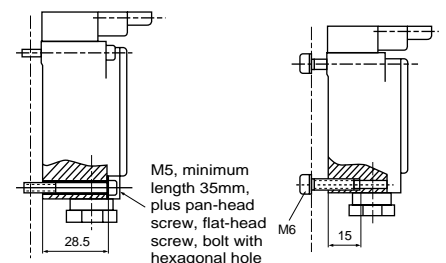


Contact: 1-2 Normally closed
3-4 Normally open

Mounting

AL type limit switches can be attached either from the front or the back. In the case of front mounting type clamp at 4 positions using M5 screws. When attaching from the back of the panel tighten at 4 positions by means of M6 screws.

The thread depth of the switch body is 15mm.



Front mounting

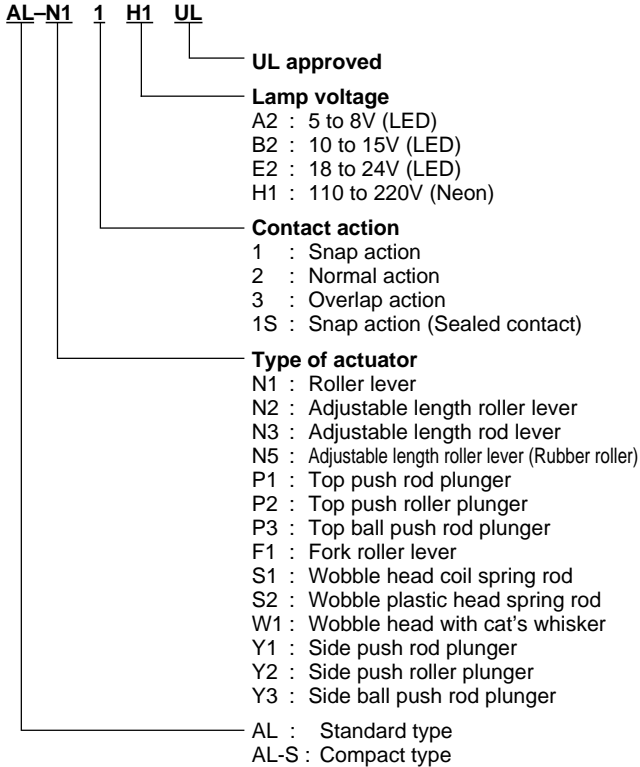
Rear mounting

Limit Switches

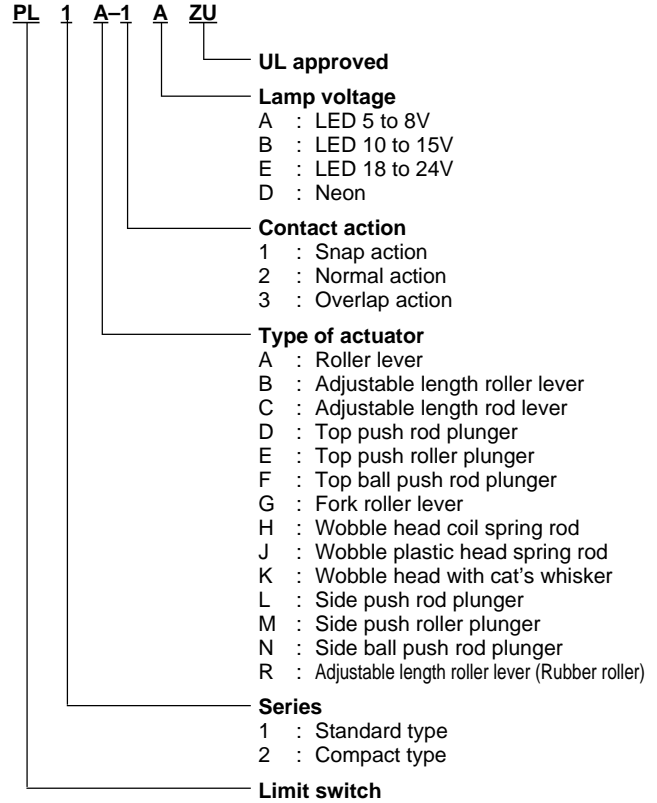
AL and AL-S

General information

■ Type number nomenclature

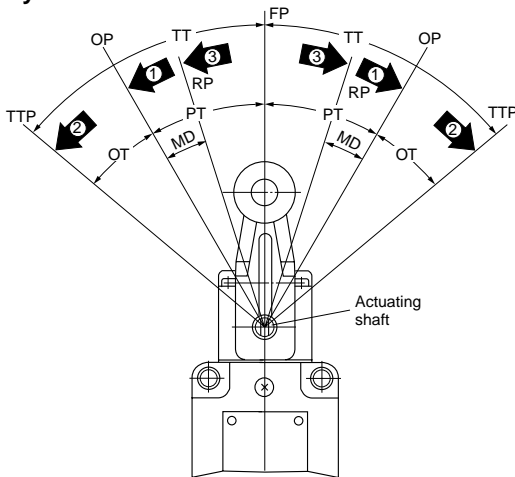


■ Ordering code



■ Operating and definitions (for snap action type)

● Rotary actuation



FP: Free Position

This is the position where there is no load on the actuator.

OP: Operating Position

This is the position where the actuator travels from the free position to NO contact closes.

TTP: Total Travel Position

This is the furthest position where the actuator can travel to after passing the OP without damage to the limit switch.

RP: Release Position

This is the position where the contact resets after the actuator has travelled from OP.

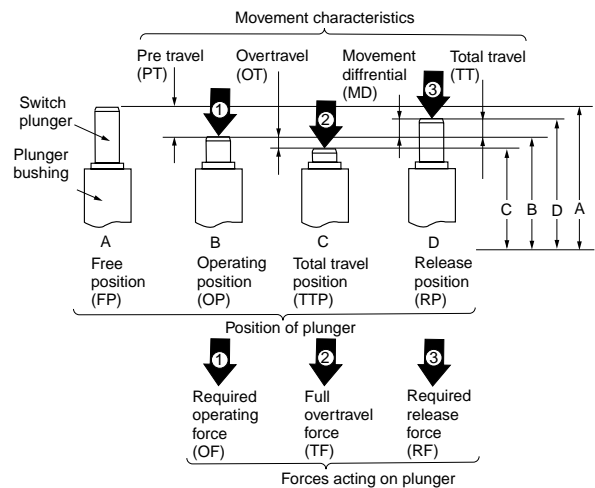
PT: Preoperating Travel

This indicates the travelling angle or distance from FP to OP.

OT: Overtravel

This indicates the travelling angle or distance from OP to TTP.

● Plunger actuation



TT: Total Travel

This indicates the travelling angle or distance from FP to TTP.

MD: Movement Differential (Travel to Reset)

This indicates the travelling angle or distance from OP to the position where the contact resets.

OF: Required Operating Force ①

This indicates the minimum operating force which is required for the contact to close.

RF: Required Resetting Force ③

This indicates the force required for the contact to reset.

TF: Full Overtravel Force ②

This indicates the force required for the actuator to travel from FP to TTP.

■ Actuating slider face angle and approach speed
● Standard type

Type		AL-N1		AL-N2		AL-N3	AL-F1	AL-S1	AL-P1	AL-P2	AL-P3
Slider angle (degree)		30	45	30	45	—	45	—	—	30	30
Slider approach speed	Maximum (meter/second)	0.5	0.2	0.2	0.1	0.2	0.2	0.2	0.2	0.3	0.3
	Minimum (millimeter/second)	0.1	0.1	0.2	0.2	0.2	0.1	0.2	0.1	0.1	0.1

AL-N1	AL-N2	AL-N3	AL-F1
	<p>Determine slider depth within range of these dimensions</p>	<p>Determine slider depth within range of these dimensions</p>	
AL-S1	AL-P1	AL-P2	AL-P3
<p>When actuating switch beyond this range, contact may make/break two times or more</p>	<p>Actuate AL-P1 type in direction coinciding with plunger shaft direction</p>		

05

● Compact type

Type		AL-SN1		AL-SN2, SN5		AL-SN3	AL-SK1	AL-SK2	AL-SS1	AL-SP1	AL-SP2
Slider angle (degree)		30	45	30	45	—	30	45	—	—	30
Slider approach speed	Maximum (meter/second)	0.5	0.2	0.2	0.1	0.2	v1: 0.6 v2: 0.2	0.5	0.2	0.2	0.3
	Minimum (millimeter/second)	0.1	0.1	0.2	0.2	0.2	v1: 0.1 v2: 0.1	0.1	0.2	0.1	0.1

AL-SN1	AL-SN2, SN5	AL-SN3	AL-SK1
AL-SK2	AL-SS1	AL-SP1	AL-SP2
	<p>When actuating switch beyond this range, contact may make/break two times or more</p>	<p>Actuate AL-SP1 type in direction coinciding with plunger shaft direction</p>	

Limit Switches

AL and AL-S

■ AL series

Description



SI-204

Roller lever

- The angle from the free position to the maximum travel position is 75°
- Spring return
- The most popular limit switch which is best suited for machine tools, automatic machines, conveyor control and similar applications.

Type	Ordering code
AL-N11	PL1A-1
AL-N12	PL1A-2
AL-N13	PL1A-3
AL-N11UL	PL1A-1ZU



SI-203

Adjustable length roller lever

- The lever length can be adjusted between 25mm and 90mm.
- Spring return
- The graduated scales on the lever facilitate adjustment

Type	Ordering code
AL-N21	PL1B-1
AL-N22	PL1B-2
AL-N23	PL1B-3
AL-N21UL	PL1B-1ZU



SI-202

Adjustable length rod lever

- The $\varnothing 3.2$ mm stainless steel rod can be extended up to 141mm max.
- Spring return
- The rod can be used by bending. (Radial 2mm min.)

Type	Ordering code
AL-N31	PL1C-1
AL-N32	PL1C-2
AL-N33	PL1C-3
AL-N31UL	PL1C-1ZU



SI-209

Top push rod plunger

- Operated by a vertical rod plunger
- Momentary action

Type	Ordering code
AL-P11	PL1D-1
AL-P12	PL1D-2
AL-P13	PL1D-3
AL-P11UL	PL1D-1ZU



SI-207

Top push roller plunger

- This is a limit switch where the roller is attached to the plunger.
- The direction of the roller can be shifted 90°.
- This feature makes it highly suitable for the control of precision machinery.
- Momentary action

Type	Ordering code
AL-P21	PL1E-1
AL-P22	PL1E-2
AL-P23	PL1E-3
AL-P21UL	PL1E-1ZU

Description



SI-208

Top ball push rod plunger

- The ball rod can be operated from any direction.
- The ball turns smoothly at all times.
- Best suited for detecting objects which travel horizontally from left to right or right to left while turning.

Type	Ordering code
AL-P31	PL1F-1
AL-P32	PL1F-2
AL-P33	PL1F-3
AL-P31UL	PL1F-1ZU



SI-205

Fork roller lever

- The angle of the lever is 90°
- Maintained
- This limit switch is used when detecting the direction in which the lever inclines — i.e. in the right or left.

Type	Ordering code
AL-F11	PL1G-1
AL-F11UL	PL1G-1ZU



SI-211

Side push rod plunger

- Push rod is attached to the side of the operating head.
- The operating head can be changed 90° in direction.
- Momentary action
- This limit switch is used to detect the end limit of low speed transfer.

Type	Ordering code
AL-Y11	PL1H-1
AL-Y11UL	PL1H-1ZU



SI-212

Side push roller plunger

- The push roller is attached to the side of the operating head.
- Momentary action
- This is used to detect the position, speed and direction in high precision machinery and equipment.

Type	Ordering code
AL-Y21	PL1J-1
AL-Y21UL	PL1J-1ZU



SI-210

Side ball push rod plunger

- The ball rod is attached to the side of the operating head.
- The ball turns smoothly in operation.
- Momentary action
- This limit switch is used to detect objects which travel horizontally from left to right or right to left while turning.

Type	Ordering code
AL-Y31	PL1K-1
AL-Y31UL	PL1K-1ZU

■ AL series

Description



SI-200

Wobble head coil spring rod

- Operates by forces from any directions.
- Used in packing and other conveyors.

Type	Ordering code
AL-S11	PL1H-1
AL-S11UL	PL1H-1ZU

Description



SI-199

Wobble head with cat's whisker

- The length of the stainless steel rod is 190mm from the head.
- Can be operated from any direction.
- Require little torque

Type	Ordering code
AL-W11	PL1N-1
AL-W11UL	PL1N-1ZU

Wobble plastic head spring rod

- The length of rod is 140mm from the head.
- Operates by forces from any directions.



SI-201

Type	Ordering code
AL-S21	PL1M-1
AL-S21UL	PL1M-1ZU

Limit Switches

AL and AL-S

■ Operating characteristics

Standard type (Snap action)

Type	AL-N11 AL-N11S	AL-N21 ^{*1} AL-N21S ^{*1}	AL-N31 ^{*2} AL-N31S ^{*2}	AL-P11 AL-P11S	AL-P21 AL-P21S	AL-P31 AL-P31S	AL-F11 AL-F11S
Required operating force OF (max.)	9N	9N	2.9N	15N	15N	15N	9.5N
Required resetting force RF (min.)	0.5N	0.5N	0.15N	8.2N	8.2N	8.2N	—
Preoperating travel PT (min.)	12°	12°	12°	2mm	2mm	2mm	55°
Overtravel OT (min.)	65°	65°	65°	5mm	5mm	5mm	35°
Movement differential (Travel to reset) MD (max.)	7°	7°	7°	1mm	1mm	1mm	—
Total travel TT (min.)	75°	75°	75°	—	—	—	90°±10°

Notes: ^{*1} At lever length 38mm

^{*2} At rod lever length 135mm

Type	AL-Y11 AL-Y11S	AL-Y21 AL-Y21S	AL-Y31 AL-Y31S	AL-S11 AL-S11S	AL-S21 AL-S21S	AL-W11 AL-W11S
Required operating force OF (max.)	40N	40N	40N	1.5N	1.5N	1.5N
Required resetting force RF (min.)	8.9N	8.9N	8.9N	—	—	—
Preoperating travel PT (min.)	2.8mm	2.8mm	2.8mm	30mm	30mm	40mm
Overtravel OT (min.)	4mm	4mm	4mm	—	—	—
Movement differential (Travel to reset) MD (max.)	1mm	1mm	1mm	—	—	—

Standard type (Normal action, overlap action)


Type	Normal action			Overlap action		
	AL-N12 ^{*1} AL-N22	AL-N32 ^{*2}	AL-P12 AL-P22 AL-P32AL	AL-N13 ^{*1} AL-N23	AL-N33 ^{*2}	AL-P13 AL-P23 AL-P33
Required operating force OF (max.)	11N	3.1N	18N	11N	3.1N	18N
Movement to NC contact open	28°	28°	3.5mm	45°	45°	5mm
Movement to NO contact closed	45°	45°	5mm	28°	28°	3.5mm
Total travel TT (min., max.)	75°	75°	7mm	75°	75°	7mm

Notes: ^{*1} At lever length 38mm

^{*2} At rod lever length 135mm

■ AL-S series/Compact-size

Description




Top push rod plunger

- Operated by a vertical rod plunger.
- Momentary action

Type	Ordering code
AL-SP11	PL2D-1
AL-SP12	PL2D-2
AL-SP13	PL2D-3
AL-SP11UL	PL2D-1ZU

KKD07-032




Top push roller plunger

- This is a limit switch where the roller is attached to the plunger.
- The direction of the roller can be shifted 90°
- Momentary action

Type	Ordering code
AL-SP21	PL2E-1
AL-SP22	PL2E-2
AL-SP23	PL2E-3
AL-SP21UL	PL2E-1ZU

SI-1022




Top roller lever plunger

- This limit switch is used to detect objects which travel horizontally from left to right or right to left while turning.
- Used in packing and other conveyors.

Type	Ordering code
AL-SK11	PL2P-1
AL-SK12	PL2P-2
AL-SK13	PL2P-3
AL-SK11UL	PL2P-1ZU

KKD07-027




Reversing top roller lever plunger

- This type is designed to detect the movements in the vertical direction.

Type	Ordering code
AL-SK21	PL2Q-1
AL-SK22	PL2Q-2
AL-SK23	PL2Q-3
AL-SK21UL	PL2Q-1ZU

KKD07-043




Adjustable length rubber roller lever (ø40)

- The lever length can be adjusted between 30mm and 76mm
- Spring return
- The graduated scales on the lever facilitate adjustment

Type	Ordering code
AL-SN51	PL2C-1

KKD07-031

Description




Roller lever

- The angle from the free position to the maximum travel position is 70°
- Spring return

Type	Ordering code
AL-SN11	PL2A-1
AL-SN11UL	PL2A-1ZU

KKD07-028




Adjustable length roller lever

- The lever length can be adjusted between 25mm and 76mm.
- Spring return
- The graduated scales on the lever facilitate adjustment

Type	Ordering code
AL-SN21	PL2B-1
AL-SN21UL	PL2B-1ZU

KKD07-029




Adjustable length rod lever

- The ø3.2mm stainless steel rod can be extended up to 130mm max.
- Spring return
- The rod can be used by bending. (Radial 2mm min.)

Type	Ordering code
AL-SN31	PL2C-1
AL-SN31UL	PL2C-1ZU

KKD07-030



Wobble head coil spring rod

- The length of rod is 113mm from the head.
- Can be operated from any direction.
- Require little torque

Type	Ordering code
AL-SS11	PL2H-1
AL-SS11UL	PL2H-1ZU

SI-1016

Limit Switches

AL and AL-S

Operating characteristics

Compact type (Snap action)



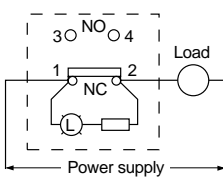
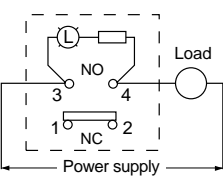
Type	AL-SP11	AL-SP21	AL-SK11	AL-SK21	AL-SN11 *1	AL-SN21 *1	AL-SN31	AL-SN51 *2	AL-SS11
Required operating force OF (max.)	4.5N	8.5N	4N	4N	7N	7N	7N	7N	1.5N
Required resetting force RF (min.)	2N	4.5N	1.8N	1.8N	0.5N	0.5N	0.5N	0.5N	—
Preoperating travel PT (min.)	2mm	2mm	2.5mm	2.5mm	30°	30°	30°	30°	30mm
Overtravel OT (min.)	4mm	3mm	5mm	5mm	40°	40°	40°	40°	—
Movement differential (Travel to reset) MD (max.)	1mm	1mm	1.8mm	1.8mm	8°	8°	8°	8°	—

Notes: *1 At lever or rod level length 25mm

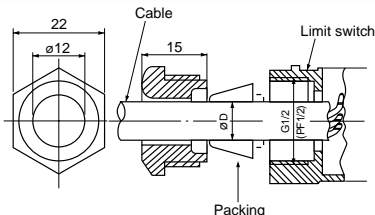
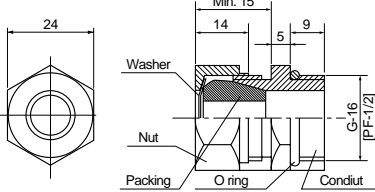

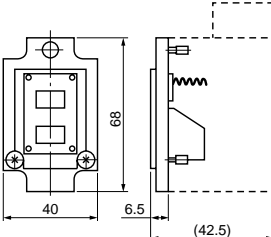

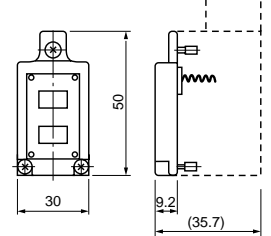
*2 At lever or rod level length 30mm

Compact type (Normal action, overlap action)

Type	Normal action			Overlap action		
	AL-SP12	AL-SP22	AL-SK□2	AL-SP13	AL-SP23	AL-SK□3
Required operating force OF (max.)	7N	10.5N	6.3N	7N	10.5N	6.3N
Movement to NC contact open	1.5mm	1.5mm	2mm	3mm	3mm	4mm
Movement to NO contact closed	3mm	3mm	4mm	1.5mm	1.5mm	2mm
Total travel TT (min., max.)	6mm	6mm	8mm	6mm	6mm	8mm

Description	Standard/Compact		UL approved		
	Type	Ordering code	Type	Ordering code	
 <p>SI-314</p> <p>Standard type</p> <p>With indicating lamp</p> <ul style="list-style-type: none"> The indicating lamp can be fitted to all the AL limit switches. Neon lamp or LED, and stabilizing resistor are attached inside the housing so that the lamp lights or goes out when the switch is operating. The nylon cover makes the signal highly visible. Indicating lamps do not affect the switch dimensions or operating characteristics. The wiring connections for snap action type are shown below. 	AL-N1□■	PL1A-□■	AL-N11■UL	PL1A-1■ZU	
	AL-N2□■	PL1B-□■	AL-N21■UL	PL1B-1■ZU	
	AL-N3□■	PL1C-□■	AL-N31■UL	PL1C-1■ZU	
	AL-P1□■	PL1D-□■	AL-P11■UL	PL1D-1■ZU	
	AL-P2□■	PL1E-□■	AL-P21■UL	PL1E-1■ZU	
	AL-P3□■	PL1F-□■	AL-P31■UL	PL1F-1■ZU	
	AL-F1□■	PL1G-□■	AL-F11■UL	PL1G-1■ZU	
	AL-Y1□■	PL1L-□■	AL-Y11■UL	PL1L-1■ZU	
	AL-Y2□■	PL1M-□■	AL-Y21■UL	PL1M-1■ZU	
	AL-T3□■	PL1N-□■	AL-T31■UL	PL1N-1■ZU	
	AL-S1□■	PL1H-□■	AL-S11■UL	PL1H-1■ZU	
	AL-S2□■	PL1J-□■	AL-S21■UL	PL1J-1■ZU	
	AL-W1□■	PL1K-□■	AL-W11■UL	PL1K-1■ZU	
	 <p>KKD07-028</p> <p>Compact type</p> <div style="display: flex; justify-content: space-around;"> <div style="text-align: center;">  <p>The lamp lights when NO contact closes</p> </div> <div style="text-align: center;">  <p>The lamp lights when NO contact opens</p> </div> </div>	AL-SP1□■	PL2D-□■	AL-SP11■UL	PL2D-1■ZU
		AL-SP2□■	PL2E-□■	AL-SP11■UL	PL2E-1■ZU
AL-SK1□■		PL2P-□■	AL-SK11■UL	PL2P-1■ZU	
AL-SK2□■		PL2Q-□■	AL-SK21■UL	PL2Q-1■ZU	
AL-SN1□■		PL2A-□■	AL-SN11■UL	PL2A-1■ZU	
AL-SN2□■		PL2B-□■	AL-SN21■UL	PL2B-1■ZU	
AL-SN3□■		PL2C-□■	AL-SN31■UL	PL2C-1■ZU	
AL-SS1□■		PL2H-□■	AL-SS11■UL	PL2H-1■ZU	
		Replace the □ mark by the contact action code			
		Replace the ■ mark by the lamp voltage code			

■ Accessories

Description	Operating	Type	Ordering code
Standard type sealed conduit (Plastic) 	Cable dia. $\varnothing 7.5 - \varnothing 11.5$ (for AL type) $(\varnothing D)$ $\varnothing 7 - \varnothing 11$ (for AL-S type)	ALX-016 ALX-510	PL1XW-A PL1XW-B
Complete type sealed conduit (Metal) 	Cable dia. $\varnothing 6 - \varnothing 9$ $(\varnothing D)$ $\varnothing 8 - \varnothing 11$ $\varnothing 12 - \varnothing 14$ (for AL type, AL-S type, AL1-S type)	ALX-013 ALX-014 ALX-015	PL1XW-C PL1XW-D PL1XW-E
Lamp cover for AL series 		For snap action <ul style="list-style-type: none"> LED lamp 6V DC ALX-011A LED lamp 12V DC ALX-011B LED lamp 24V DC ALX-011E Neon lamp 110/220V AC ALX-011H 	PL1XL-1A PL2XL-1B PL1XL-1C PL1XL-1D
Lamp cover for AL-S series 		For normal action <ul style="list-style-type: none"> LED lamp 6V DC ALX-012A LED lamp 12V DC ALX-012B LED lamp 24V DC ALX-012E Neon lamp 110/220V AC ALX-012H 	PL1XL-2A PL1XL-2B PL1XL-2C PL1XL-2D
		For snap action <ul style="list-style-type: none"> LED lamp 6V DC ALX-507A LED lamp 12V DC ALX-507B LED lamp 24V DC ALX-507E Neon lamp 110/220V AC ALX-507H 	PL2XL-1A PL2XL-1B PL2XL-1C PL2XL-1D
		For normal action <ul style="list-style-type: none"> LED lamp 6V DC ALX-508A LED lamp 12V DC ALX-508B LED lamp 24V DC ALX-508E Neon lamp 110/220V AC ALX-508H 	PL2XL-2A PL2XL-2B PL2XL-2C PL2XL-2D


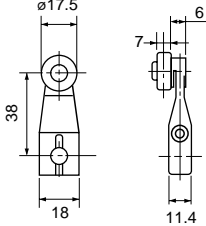
05


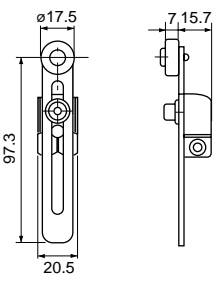
Limit Switches


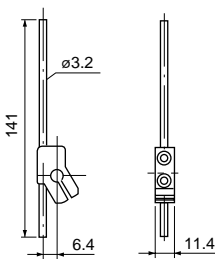
AL and AL-S


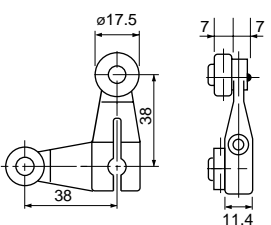
■ Actuators


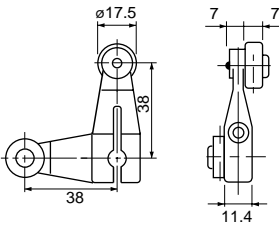
● For AL series

Description	Type
 SI-177	ALX-001  Stainless steel roller


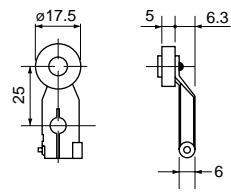
 SI-173	ALX-003  Stainless steel roller
--	--


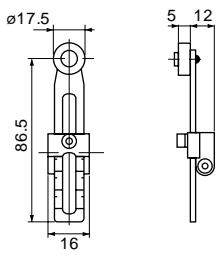
 SI-171	ALX-005  Stainless steel rod
---	--


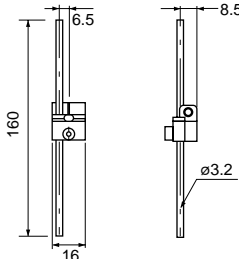
 SI-175	ALX-007  Stainless steel roller
--	---

 SI-176	ALX-009  Stainless steel roller
--	---

● For AL-S series

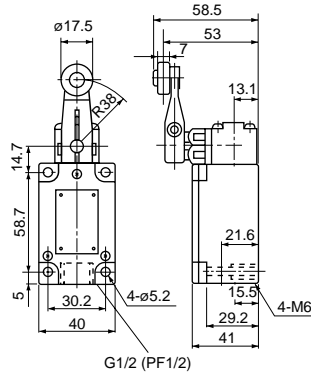
Description	Type
 SI-316	ALX-501  Stainless steel roller

 KKD07-033	ALX-503  Stainless steel roller
---	--

 KKD07-034	ALX-505  Stainless steel rod
--	--

■ Dimensions, mm (AL series)

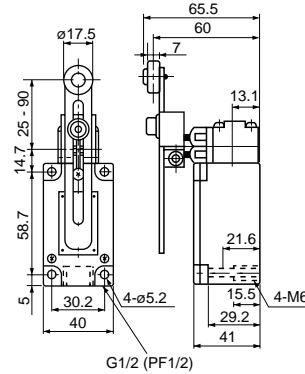
Roller lever
AL-N1



Mass: 265g

Stainless steel roller

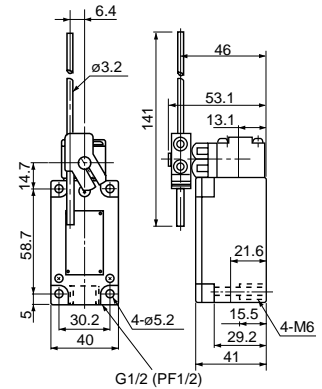
Adjustable length roller lever
AL-N2



Mass: 305g

Stainless steel roller

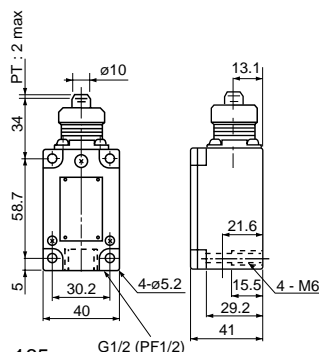
Adjustable length rod lever
AL-N3



Mass: 260g

Stainless steel rod

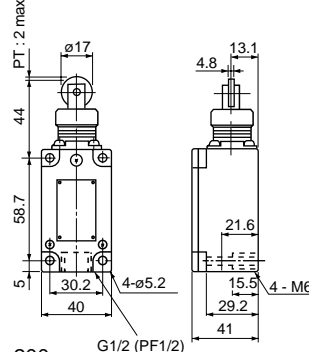
Top push rod plunger
AL-P1



Mass: 165g

Stainless steel plunger

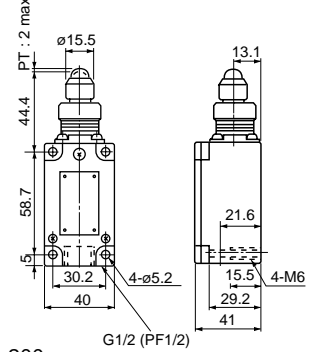
Top push roller plunger
AL-P2



Mass: 200g

Stainless steel roller

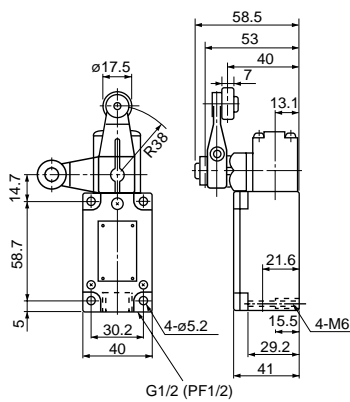
Top ball push rod plunger
AL-P3



Mass: 200g

Stainless steel ball

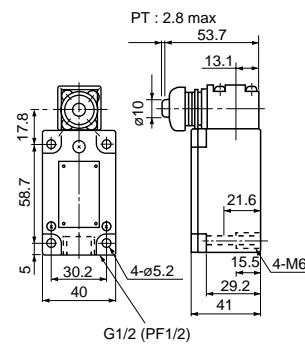
Fork roller lever
AL-F1



Mass: 310g

Stainless steel roller

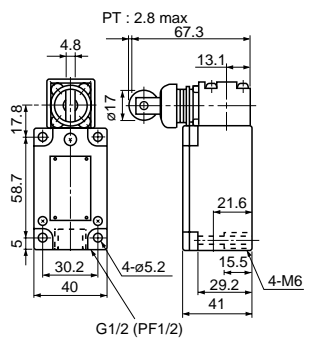
Side push rod plunger
AL-Y1



Mass: 275g

Stainless steel plunger

Side push roller plunger
AL-Y2



Mass: 285g

Stainless steel roller

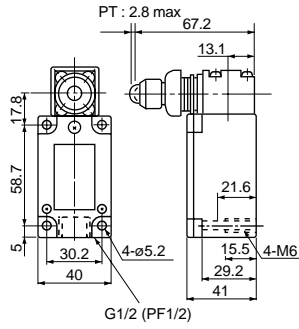
05

Limit Switches

AL and AL-S

■ Dimensions, mm (AL series)

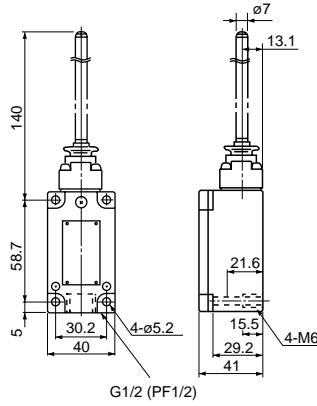
Side ball push rod plunger AL-Y3



Mass: 285g

Stainless
steel ball

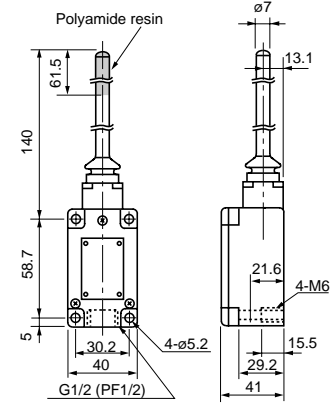
Wobble head coil spring rod AL-S1



Mass: 220g

Stainless steel
coil spring

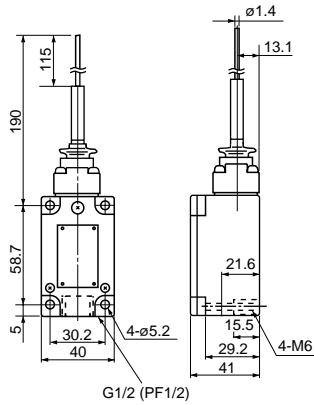
Wobble plastic head spring rod AL-S2



Mass: 210g

Stainless steel
coil spring

Wobble head with cat's whisker AL-W1

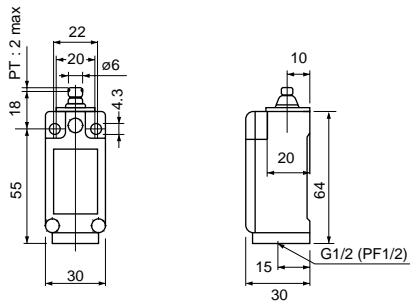


Mass: 210g

Stainless steel
coil spring

■ Dimensions, mm (AL-S series/Compact size)

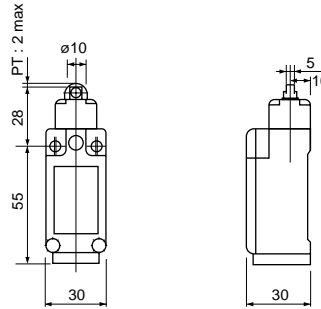
**Top push rod plunger
AL-SP1**



Mass: 55g

Polyamide resin plunger

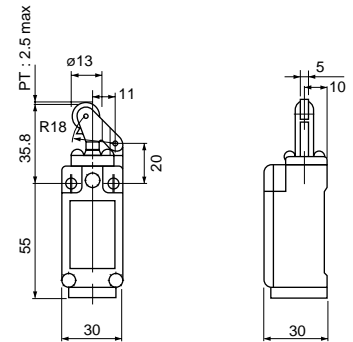
**Top push roller plunger
AL-SP2**



Mass: 60g

Stainless steel roller

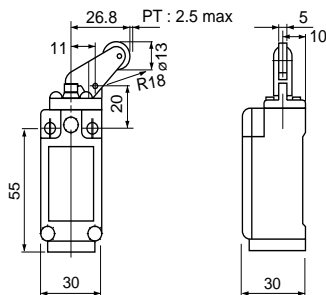
**Top roller lever plunger
AL-SK1**



Mass: 65g

Stainless steel roller

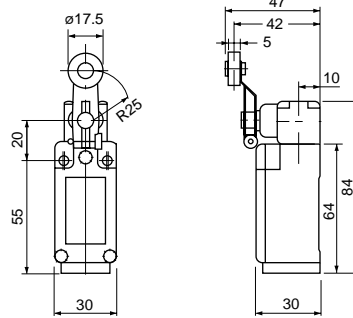
**Reversing top roller lever plunger
AL-SK2**



Mass: 65g

Stainless steel roller

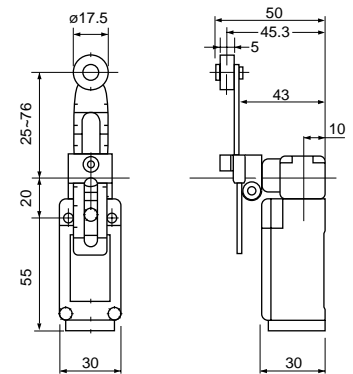
**Roller lever
AL-SN1**



Mass: 100g

Stainless steel roller

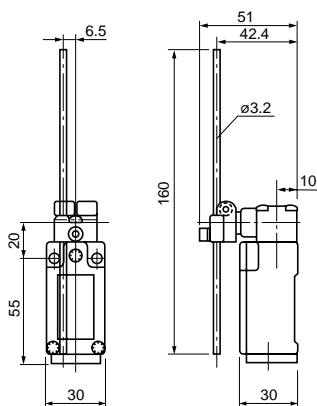
**Adjustable length roller lever
AL-SN2**



Mass: 120g

Stainless steel roller

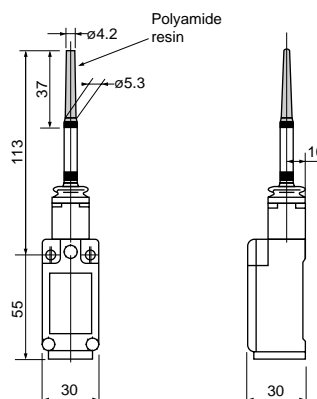
**Adjustable length rod lever
AL-SN3**



Mass: 105g

Stainless steel rod

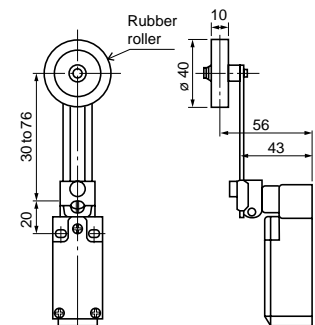
**Wobble plastic head spring rod
AL-SS1**



Mass: 80g

Stainless steel coil spring

**Adjustable length rubber roller lever
AL-SN51**



Mass: 130g

Rubber roller

Limit Switches

K244

General information

Momentary-contact limit switches K244 series

■ Description

FUJI K244 type limit switches have an excellent performance. K244 limit switches employ a highly dependable and long lasting double break silver alloy contact system. These can be expected to perform more than 10 million mechanical operations and a rate of 3,000 operations per hour. The large variety of operating types such as standard stroke, snap-action type, make-before-break type and extended stroke type, etc. allow you to select a suitable limit switch that fully meets your requirements. K244 limit switches are widely used for industrial machinery such as machine tools, printing machines, conveyors, automatic machines and door interlocking and similar applications. The aluminum die-cast housing can also be supplied in an oil and water proof version.

■ Technical data

Insulation resistance:
Over 100MΩ at 500V DC

Dielectric strength:
2500V AC rms 1 minute

Max. operating cycle:
3000 cycles per hour

Life expectancy
Mechanical: 10 million operations
Electrical:

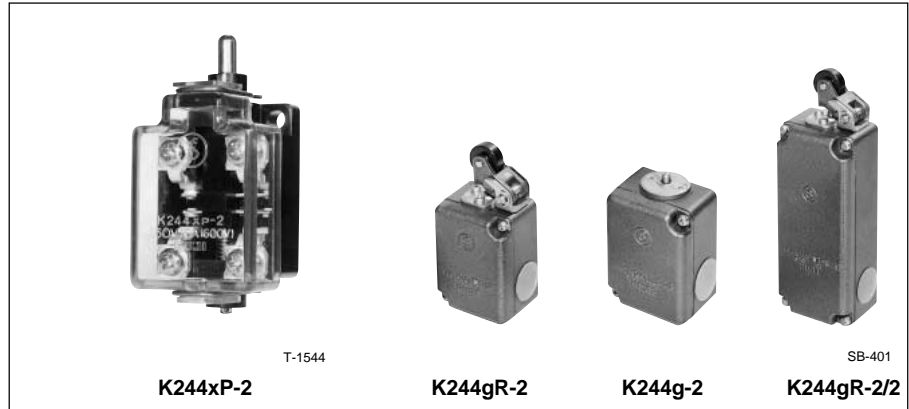
- K244-2, 2U and 2V
3.3 million operations at 24 to 550V AC 3A
- K244-2S
1.3 million operations at 24 to 550V AC 3A

■ Ordering information

Specify the following:
1. Type number or ordering code

Example

Limit switch PL
With enclosure 5
Standard contact N
Cast-metal clad enclosure G
With top roller lever plunger R
Contact, normal action 1NO+1NC 22
Ordering code PL5NGR22



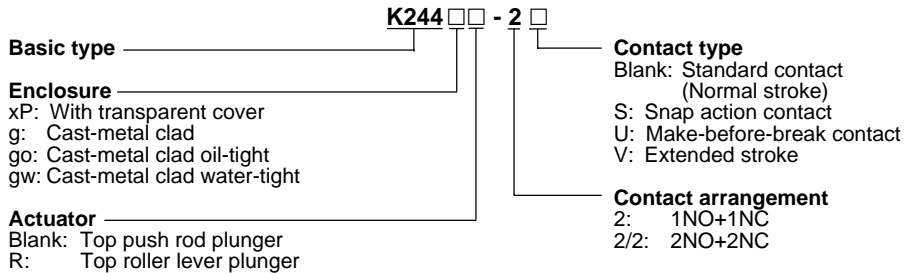
■ Ratings

Type	Thermal current (A)	Making current (A)	Breaking current *1		DC Voltage (V)	Current (A)	
			AC Voltage (V)	Current (A)		Resistive	Inductive
K244-2 K244-2U K244-2V	10	50	24	10	24	10	10
			110	10	110	2.2	1.3
			220	10	220	0.9	0.4
			440	10	440	0.4	0.2
K244-2S	10	50	550	10	550	0.32*2	0.15*2
			24	10	24	7	7
			110	10	110	1.5	0.9
			220	10	220	0.63	0.28
			440	10	440	0.28	0.14
			550	10	550	0.22*2	0.1*2

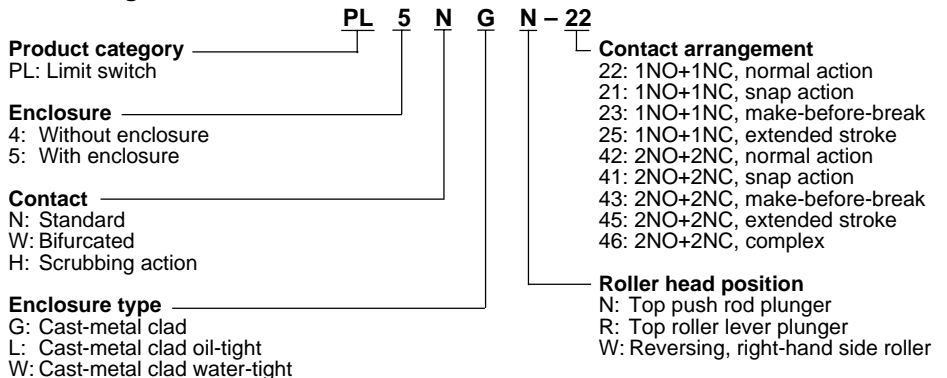
Notes: *1 When NO and NC contacts are wired in the same potential.

*2 Value of the breaking current when opposite contacts are not applied with potential.

■ Type number nomenclature



■ Ordering code



■ Actuating slider face angles and approach speeds

Although K244 limit switches have an excellent performance they should not be operated at an extremely high speed or extremely low speeds, since these conditions will cause contact trouble and reduce the mechanical life expectancy of the devices. The slider face angles and approach speeds should be kept within the following recommendations.

● Push rod plunger type

This type of switch obtains the movement from the vertical travel of the rod.

Speed : Max. 1m/sec
Min. 0.015m/sec

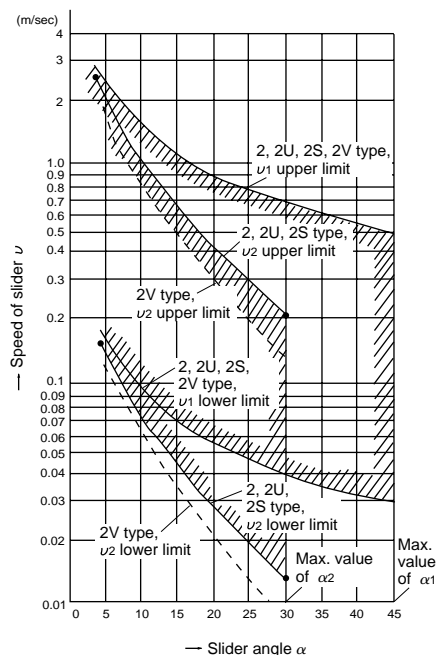
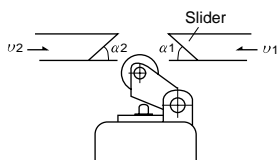
Snap-action types can be used at speeds less than the minimum value.

● Roller lever type

The actuating slider face angles and speeds should be within the following range.

The maximum angle of the slider face:
 $\alpha_1=45^\circ$ $\alpha_2=30^\circ$

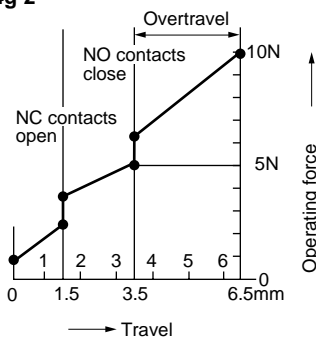
Snap-action type switches can be used at speeds less than the minimum value.



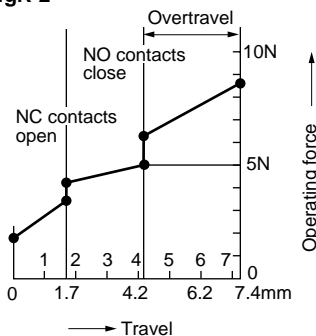
■ Travel operating force curve (Typical example)

The curve indicates forces to operate the contact.

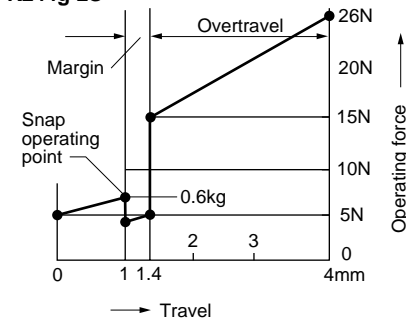
Standard type
K244g-2



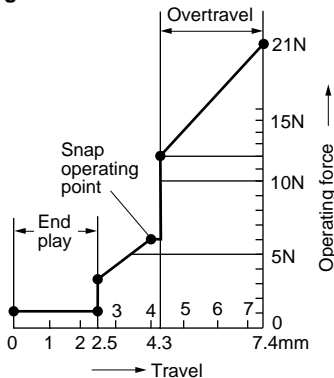
K244gR-2



Snap action contact type
K244g-2S



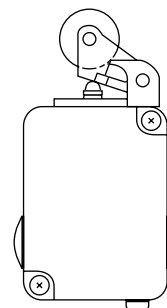
K244gR-2S



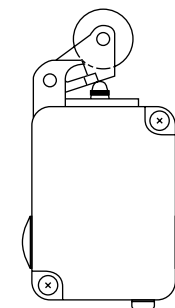
■ Changing direction of operating roller head

Roller head positions can be shifted by 90° in each direction. The head is attached at the standard position when shipped from factory.

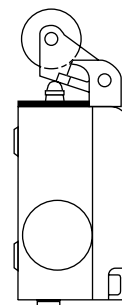
Standard



l type



f type



■ Cable connection

Threaded conduit entrances are provided at 3 locations—left, right and lower side of the limit switch housing. Knockout the plug to carry out wiring. Do not remove plugs from holes not requiring wiring.


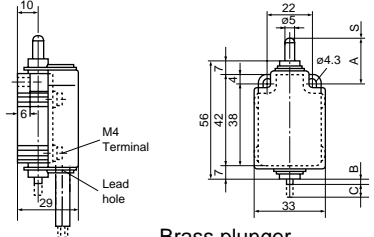
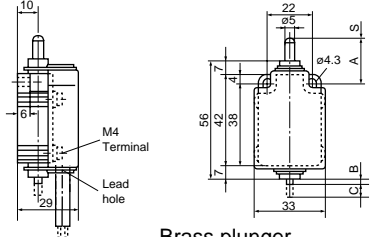
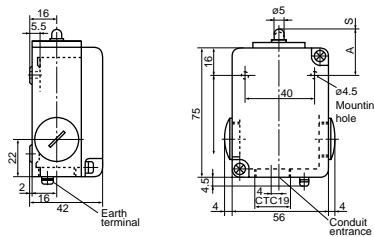
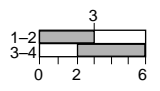
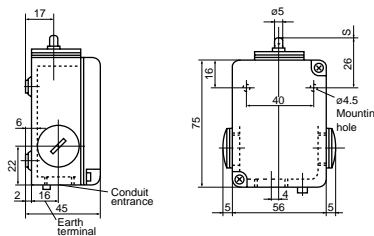


Limit Switches

K244

Standard type


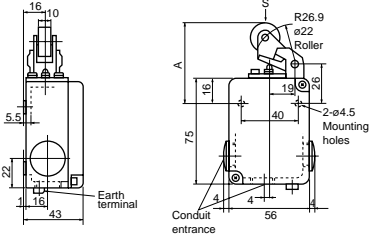

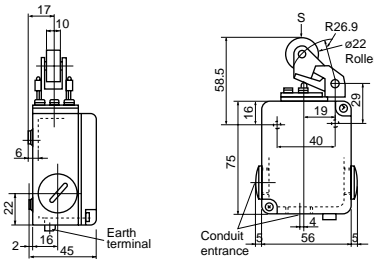

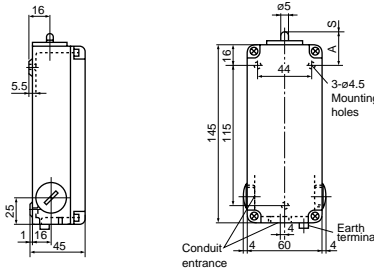

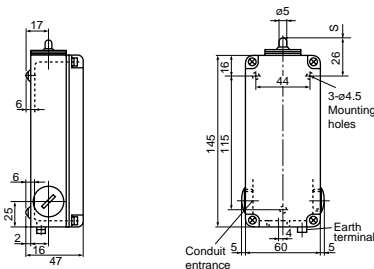
■ K244 series/Standard

Description	Contact arrangement	Terminal No.	Travel ■ Contact closed □ Contact open	Type	Ordering code	Dimensions, mm																				
Top push rod plunger with transparent plastic cover  SF2025	Normal stroke			K244xp-2	PL4NN-22	 Brass plunger <table border="1"> <tr> <td></td> <td>-2</td> <td>-2S</td> <td>-2U</td> <td>-2V</td> </tr> <tr> <td>A</td> <td>21</td> <td>19</td> <td>21</td> <td>21</td> </tr> <tr> <td>B</td> <td>1.5</td> <td>1.5</td> <td>1.5</td> <td>1.0</td> </tr> <tr> <td>C</td> <td>6.5</td> <td>1.4</td> <td>6</td> <td>8.5</td> </tr> </table>		-2	-2S	-2U	-2V	A	21	19	21	21	B	1.5	1.5	1.5	1.0	C	6.5	1.4	6	8.5
		-2	-2S	-2U	-2V																					
	A	21	19	21	21																					
	B	1.5	1.5	1.5	1.0																					
C	6.5	1.4	6	8.5																						
Snap-action			K244xp-2S	PL4NN-21																						
Make-before-break			K244xp-2U	PL4NN-23																						
Extended stroke			K244xp-2V	PL4NN-25																						
Top push rod plunger cast-metal clad  T-1535	Normal stroke			K244g-2	PL5NGN-22	 Brass plunger <table border="1"> <tr> <td></td> <td>-2</td> <td>-2S</td> <td>-2U</td> <td>-2V</td> </tr> <tr> <td>A</td> <td>26</td> <td>24</td> <td>26</td> <td>26</td> </tr> </table>		-2	-2S	-2U	-2V	A	26	24	26	26										
		-2	-2S	-2U	-2V																					
	A	26	24	26	26																					
	Snap-action			K244g-2S	PL5NGN-21																					
Make-before-break			K244g-2U	PL5NGN-23																						
Extended stroke			K244g-2V	PL5NGN-25																						
Top push rod plunger oiltight and watertight cast-metal clad  T-1535	Snap-action			Oiltight K244go-2S	PL5NLN-21	 Brass plunger Mass: 210g																				
				Watertight K244gw-2S	PL5NWN-21																					

■ Contact action (Typical)

Contact	Standard type (Normal stroke)	Snap action contact	Make-before-break contact	Extended stroke
Contact diagram				
Contact travel				
	■ : Contact closed □ : Contact open			

■ K244 series/Standard

Description	Contact arrangement	Terminal No.	Travel S (mm) ■ Contact closed □ Contact open	Type	Ordering code	Dimensions, mm										
Top roller lever plunger cast-metal clad  T-1537	Normal stroke			K244gR-2	PL5NGR-22	 Phenol-formaldehyde roller <table border="1"> <tr> <td>-2</td> <td>-2S</td> <td>-2U</td> <td>-2V</td> </tr> <tr> <td>55</td> <td>55</td> <td>55</td> <td>57</td> </tr> </table> Mass: 240g	-2	-2S	-2U	-2V	55	55	55	57		
	-2	-2S	-2U	-2V												
	55	55	55	57												
	Snap-action			K244gR-2S	PL5NGR-21											
Make-before-break			K244gR-2U	PL5NGR-23												
Extended stroke			K244gR-2V	PL5NGR-25												
Top roller lever plunger oiltight and watertight cast-metal clad  T-1531	Snap-action			Oiltight K244goR-2S	PL5NLR-21	 Phenol-formaldehyde roller Mass: 250g										
				Watertight K244gwR-2S	PL5NWR-21											
Top push rod plunger cast-metal clad  T-1567	Normal stroke			K244g-2/2	PL5NGN-42	 Brass plunger <table border="1"> <tr> <td>2/2</td> <td>2S/2S</td> <td>2U/2U</td> <td>2V/2V</td> <td>2/2U</td> </tr> <tr> <td>26</td> <td>24</td> <td>26</td> <td>26</td> <td>26</td> </tr> </table> Mass: 410g	2/2	2S/2S	2U/2U	2V/2V	2/2U	26	24	26	26	26
	2/2	2S/2S	2U/2U	2V/2V	2/2U											
	26	24	26	26	26											
	Snap-action			K244g-2S/2S	PL5NGN-41											
	Make-before-break			K244g-2U/2U	PL5NGN-43											
Extended stroke			K244g-2V/2V	PL5NGN-45												
Complex (Normal stroke + Make-before-break)			K244g-2/2U	PL5NGN-46												
Top push rod plunger oiltight and watertight cast-metal clad  T-1567	Snap-action			Oiltight K244go-2S/2S	PL5NLN-41	 Brass plunger Mass: 420g										
				Watertight K244gw-2S/2S	PL5NWN-41											


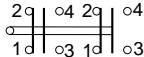
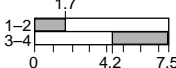
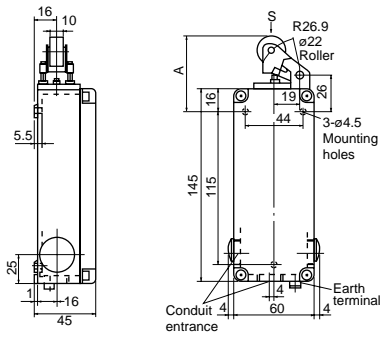
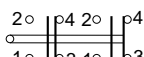
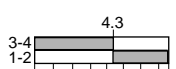
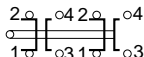
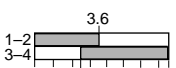
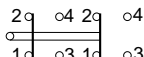
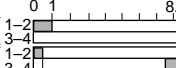
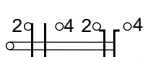
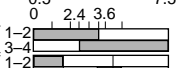

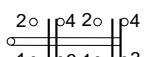
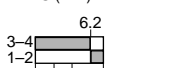
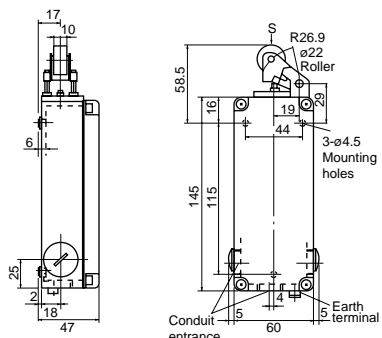
05

Limit Switches

K244

Standard type

■ K244 series/Standard

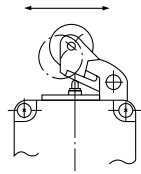
Description	Contact arrangement	Terminal No.	Travel <input type="checkbox"/> Contact closed <input type="checkbox"/> Contact open	Type	Ordering code	Dimensions, mm
Top roller lever plunger cast-metal clad  T-1567	Normal stroke				K244gR-2/2 PL5NGR-42	 Phenal-formaldehyde roller 2/2 2S/2S 2U/2U 2V/2V 2/2U A 55 55 55 57 55 Mass: 440g
	Snap-action				K244gR-2S/2S PL5NGR-41	
	Make-before-break				K244gR-2U/2U PL5NGR-43	
	Extended stroke				K244gR-2V/2V PL5NGR-45	
	Complex (Normal stroke + Make-before-break)				K244gR-2/2U PL5NGR-46	
Top roller lever plunger oiltight and watertight cast-metal clad  T-1567	Snap-action			Oiltight	K244goR-2S/2S PL5NLR-41	 Phenal-formaldehyde roller Mass: 450g
				Watertight	K244gwR-2S/2S PL5NWR-41	

Reversing roller lever momentary-contact limit switches, K244g□R

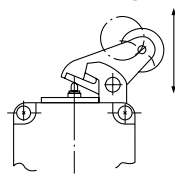
■ Description

These limit switches are designed to detect the movements in the vertical direction. The switch body is identical to the standard type except that one roller is extended from the housing. The performance is the same as for the standard type.

● Standard



● Reversing

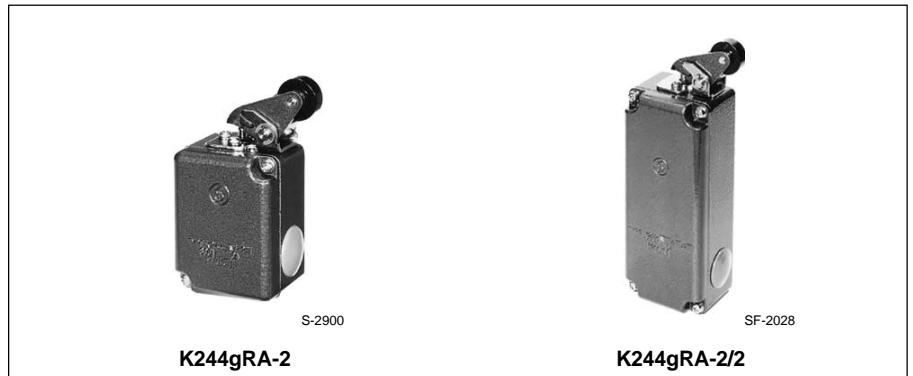
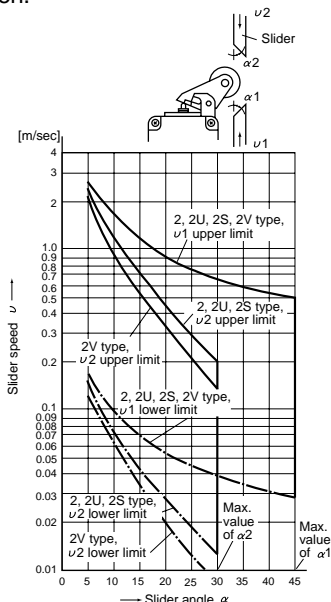


Right side roller

■ Actuating slider face angles and approach speeds

K244 limit switches have an outstanding performance and will have a long service life under normal conditions. They are designed to carry out 3,000 operations per hour but if they are operated at an extremely high speeds or on the contrary at extremely low speeds contact trouble could develop which would reduce the mechanical life expectancy of the devices.

Reversing roller levers are provided with sliders in their vertical direction. The slider face angles and approach speeds should be kept within the range shown by curves. The maximum angle of the actuating slider is $\alpha_1=45^\circ$, $\alpha_2=30^\circ$ and under. Snap-action types can be used at speeds less than the minimum value given.



■ Ratings

Type	Thermal current (A)	Making current (A)	Breaking current *1				Resistive (A)	Inductive (A)
			AC Voltage (V)	Current (A)	DC Voltage (V)	Current (A)		
K244gRA-2	10	50	24	10	24	10	10	
K244gRA-2U			110	10	110	2.2	1.3	
K244gRA-2V			220	10	220	0.9	0.4	
			440	10	440	0.4	0.2	
			550	10	550	0.32	0.15*2	
K244gRA-2S	10	50	24	10	24	7	7	
			110	10	110	1.5	0.9	
			220	10	220	0.63	0.28	
			440	10	440	0.28	0.14	
			550	10	550	0.22	0.1*2	

Notes: *1 When NO and NC contacts are wired in the same polarity.
*2 Opposite contacts are not permitted to carry potential.

■ Ordering information

Specify the following
1. Type number or ordering code

Example

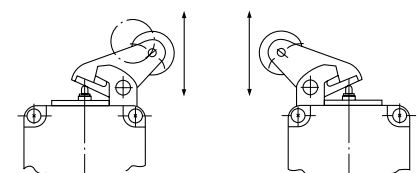
Limit switch PL
With enclosure 5
Standard contact N
Cast-metal clad enclosure G
With reversing roller plunger W
Contact 1NO+1NC, snap-action -21
Ordering code PL5NGW-21

■ Ordering code: See page 05/16.

■ Travel operating force:
See page 05/17.

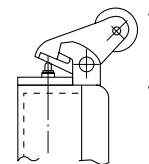
■ Cable connection: See page 05/17.

■ Changing direction of operating head



Right side roller

Left side roller



Front-side roller

■ Type number nomenclature


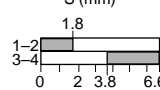
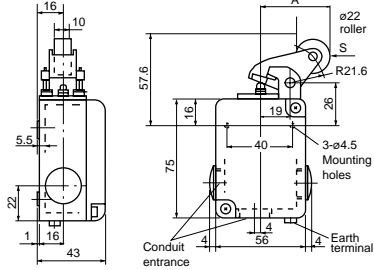
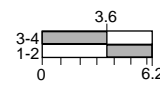
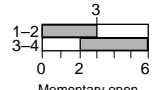
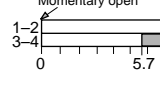

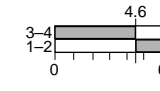
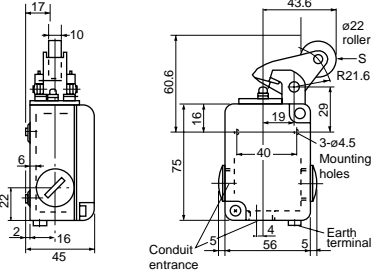

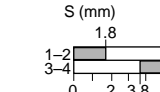
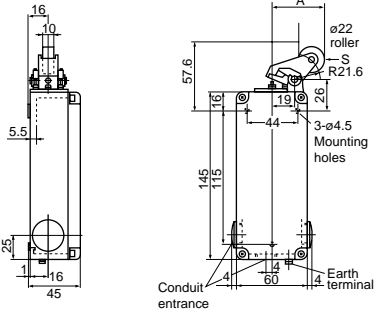
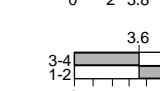
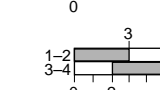
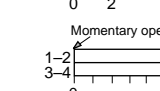
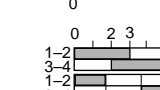

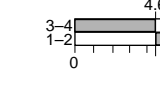
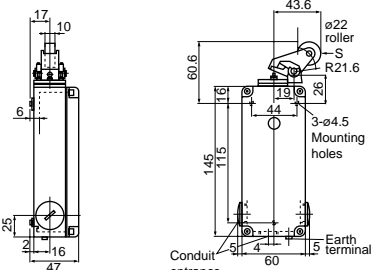
Basic type	K244	□	□	□	- 2	□	□	
Enclosure	g:	Cast-metal clad	go:	Cast-metal clad oil-tight	gw:	Cast-metal clad water-tight		
Actuator	R:	Top roller lever plunger	A:	Reversing roller				
Contact type	Blank:	Standard contact (Normal stroke)	S:	Snap-action contact	U:	Make-before-break contact	V:	Extended stroke contact
Contact arrangement	2:	1NO+1NC	2/2:	2NO+2NC				

■ Technical data: Same as standard type, see page 05/16.

Limit Switches

K244 reversing roller type

■ K244 series/Reversing roller

Description	Contact arrangement	Terminal No.	Travel ■ Contact closed □ Contact open	Type	Ordering code	Dimensions, mm												
 <p>S-2900</p>	Reversing top roller lever plunger cast-metal clad Normal stroke	1NO+1NC			K244gRA-2 PL5NGW-22													
	Snap-action				K244gRA-2S PL5NGW-21													
	Make-before-break				K244gRA-2U PL5NGW-23													
	Extended stroke				K244gRA-2V PL5NGW-25													
						<table border="1"> <tr> <td></td> <td>-2</td> <td>-2S</td> <td>-2U</td> <td>-2V</td> </tr> <tr> <td>A</td> <td>43.6</td> <td>43.6</td> <td>43.6</td> <td>45.8</td> </tr> </table>		-2	-2S	-2U	-2V	A	43.6	43.6	43.6	45.8		
	-2	-2S	-2U	-2V														
A	43.6	43.6	43.6	45.8														
						Mass: 240g Phenal-formaldehyde roller												
 <p>S-2900</p>	Reversing top roller lever plunger oiltight and watertight cast-metal clad Snap-action	1NO+1NC		Oiltight K244goRA-2S PL5NLW-21														
				Watertight K244gwRA-2S PL5NWW-21														
						Mass: 250g Phenal-formaldehyde roller												
 <p>SF-2028</p>	Reversing top roller lever plunger cast-metal clad Normal stroke	2NO+2NC			K244gRA-2/2 PL5NGW-42													
	Snap-action				K244gRA-2S/2S PL5NGW-41													
	Make-before-break				K244gRA-2U/2U PL5NGW-43													
	Extended stroke				K244gRA-2V/2V PL5NGW-45													
	Complex (Normal stroke + Make-before-break)				K244gRA-2/2U PL5NGW-46													
						<table border="1"> <tr> <td></td> <td>2/2</td> <td>2S/2S</td> <td>2U/2U</td> <td>2V/2V</td> <td>2/2U</td> </tr> <tr> <td>A</td> <td>43.6</td> <td>43.6</td> <td>43.6</td> <td>45.8</td> <td>43.6</td> </tr> </table>		2/2	2S/2S	2U/2U	2V/2V	2/2U	A	43.6	43.6	43.6	45.8	43.6
	2/2	2S/2S	2U/2U	2V/2V	2/2U													
A	43.6	43.6	43.6	45.8	43.6													
						Mass: 440g												
 <p>SF-2028</p>	Reversing top roller lever plunger oiltight and watertight cast-metal clad Snap-action	2NO+2NC		Oiltight K244goRA-2S/2S PL5NLW-41														
				Watertight K244gwRA-2S/2S PL5NWW-41														
						Mass: 450g												

Momentary-contact limit switches for low voltage circuit HK244 and WK244

■ Description

HK244 and WK244 limit switches have been developed for use in low voltage and low current circuits. They will operate effectively in 3 Volts AC or DC, 5mA circuits although they are recommended that they are used in 48 Volts or 110 Volts circuits for best results.

HK244 limit switches

HK244 limit switches are provided with pure silver contacts. The movable contact carries out a scrubbing action during make/break operation ensuring good connections at all times. The switch body is molded from a high performance resin, and versions with transparent plastic covers and with aluminum die-cast housing are also available.

WK244 limit switches

The bifurcated contact is made of pure silver and like the HK244 series they are also suitable for use with low voltage circuits. The dimensions and operating strokes are similar to the standard type.

■ Ordering information

Specify the following:
1. Type number or ordering code

Example

Limit switch PL
With enclosure 5
Scrubbing contact H
Cast-metal clad enclosure G
Top roller lever plunger R
Contact 1NO+1NC, normal stroke -22
Ordering code PL5HGR-22

■ Dimensions, mm

Same as standard type limit switch K244 series. See page 05/18 to 05/20, 05/22.

■ Ordering code: See page 05/16.



■ Ratings

HK244

Thermal current (A)	Making current (A)	Breaking current *1				
		AC Voltage (V)	Current (A)	DC Voltage (V)	Current (A) Resistive Inductive	
10	50	24	10	24	7	7
		110	10	110	1.5	0.9
		220	10	220	0.63	0.28
		440	10	440	0.28	0.14
		550	10	550	0.22*2	0.1*2

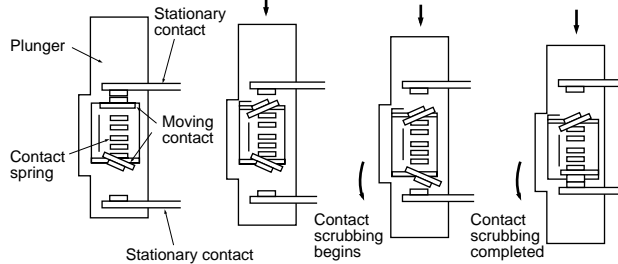
WK244

Thermal current (A)	Making current (A)	Breaking current *1				
		AC Voltage (V)	Current (A)	DC Voltage (V)	Current (A) Resistive Inductive	
10	12.5	110	2.5	110	1.5	0.2
		220	2.5	220	0.63	-

Notes: *1 When NO and NC contacts are wired in same polarity.
*2 Opposite contacts are not permitted to carry potential.

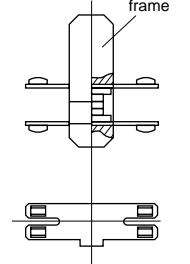
■ Contacts

HK244



Process of scrubbing contact

WK244



Bifurcated contact

■ Technical data

HK244

Insulation resistance: Over 100MΩ at 500VDC
Dielectric strength: 2500V AC rms 1 minute
Max. operating cycle: 3000 cycles per hour
Life expectancy Mechanical: 10 million operations
Electrical: 1.3 million operations at 24 to 550V AC 3A
Allowable ambient temperature: -5° to +60°C

WK244

Insulation resistance: Over 100MΩ at 500VDC
Dielectric strength: 2500VAC rms 1 minute
Max. operating cycle: 3000 cycles per hour
Life expectancy Mechanical: 10 million operations
Electrical: 1 million operations at 220V AC 1.5A
Allowable ambient temperature: -5° to +60°C

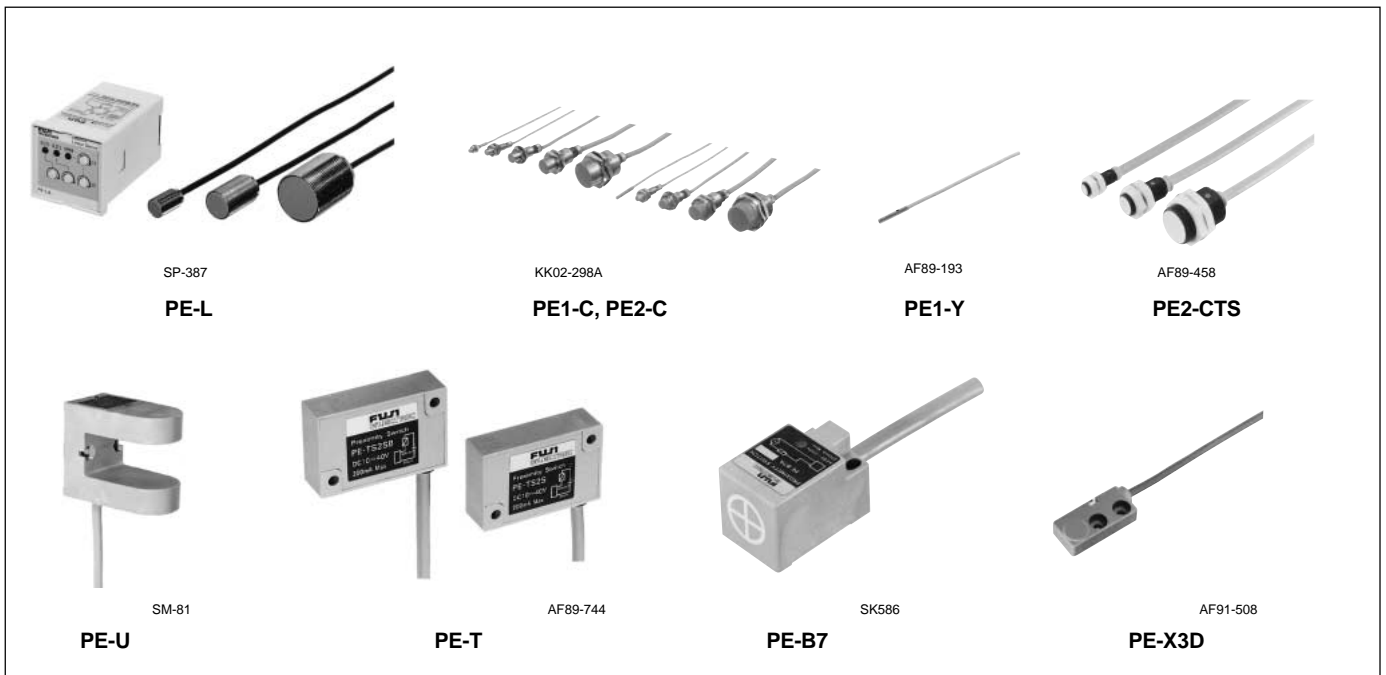
Limit Switches

HK244 and WK244

■ HK244 and WK244 series

Description	Contact arrangement	Travel (mm) of HK series (WK series: Same as standard series, pages 05/115 to 05/117)	HK series With scrubbing contact action Type	Ordering code	WK series With bifurcated contact Type	Ordering code	Dimensions (Same as K244)							
Top push rod plunger transparent plastic cover Normal stroke			HK244xp-2	PL4HGN-22	WK244xp-2	PL4WGN-22	Page 05/18							
								Make-before-break		HK244xp-2U	PL4HGN-23	WK244xp-2U	PL4WGN-23	Page 05/18
Top push rod plunger cast-metal clad Normal stroke			HK244g-2	PL5HGN-22	WK244g-2	PL5WGN-22	Page 05/18							
								Make-before-break		HK244g-2U	PL5HGN-23	WK244g-2U	PL5WGN-23	Page 05/18
Top roller lever plunger cast-metal clad Normal stroke			HK244gR-2	PL5HGR-22	WK244gR-2	PL5WGR-22	Page 05/19							
								Make-before-break		HK244gR-2U	PL5HGR-23	WK244gR-2U	PL5WGR-23	Page 05/19
Reversing top roller lever plunger cast-metal clad Normal stroke			HK244gRA-2	PL5HGW-22	WK244gRA-2	PL5WGW-22	Page 05/22							
								Make-before-break		HK244gRA-2U	PL5HGW-23	WK244gRA-2U	PL5WGW-23	Page 05/22
Top push rod plunger cast-metal clad Normal stroke			HK244g-2/2	PL5HGN-41	WK244g-2/2	PL5WGN-41	Page 05/19							
								Make-before-break		HK244g-2U/2U	PL5HGN-43	WK244g-2U/2U	PL5WGN-43	Page 05/19
								Complex (Normal stroke + Make-before-break)		HK244g-2/2U	PL5HGN-46	WK244g-2/2U	PL5WGN-46	Page 05/19
Top roller lever plunger cast-metal clad Normal stroke			HK244gR-2/2	PL5HGR-41	WK244gR-2/2	PL5WGR-41	Page 05/20							
								Make-before-break		HK244gR-2U/2U	PL5HGR-43	WK244gR-2U/2U	PL5WGR-43	Page 05/20
								Complex (Normal stroke + Make-before-break)		HK244gR-2/2U	PL5HGR-46	WK244gR-2/2U	PL5WGR-46	Page 05/20
Reversing top roller lever plunger cast-metal clad Normal stroke			HK244gRA-2/2	PL5HGW-41	WK244gRA-2/2	PL5WGW-41	Page 05/22							
								Make-before-break		HK244gRA-2U/2U	PL5HGW-43	WK244gRA-2U/2U	PL5WGW-43	Page 05/22
								Complex (Normal stroke + Make-before-break)		HK244gRA-2/2U	PL5HGW-46	WK244gRA-2/2U	PL5WGW-46	Page 05/22

■ Contact closed
□ Contact open



Proximity switches, PE series

■ Description

These proximity switches have many advantages over conventional limit switches, enabling their use where other switches will not do. FUJI offers two types – inductive and magnetic. Sensors and switching components are completely enclosed for protection against oil mist, metal filling, dust, and moisture.

Inductive types use a solid-state switching device; magnetic types use a reed switch.

PE series proximity switches

Inductive type

Inductive proximity switches are available in AC or DC versions. The PE-U series is slot type. The PE1-C and PE1-Y series are cylindrical. The detecting surface of PE-B series is square. The PE-T series switches are slim types. The PE1B2P is compact square type. The PE-L series has analog outputs with the sensor and amplifier separated. The PE2-C series is cylindrical and with stable operating indicator. The PE-X3D is flat type, and PE-4BS2 series is multiple type.

The PE-G4D is space-saving square type.

■ Features

PE-U series (See page 05/28)

- Operating distance: 7mm and 10mm
- Operating voltage range: 10 to 30V DC
- Suitable for detecting of ferromagnetic materials

PE1-C and PE1-Y series (See page 05/29)

- Short length achieved with IC
- 6 shielded and 4 non-shielded types
- AC 2-wire, DC 2-wire, and DC 3-wire systems
- Stable operating indicator provided as standard (mounting diameter M12 or more, and NO contact type).

PE-B series (See page 05/33)

- 4mm to 50mm operating distance
- Types with operating distance exceeding 20mm conform to the CENELEC Standard.
- Operating voltage range: 80 to 250V AC or 10 to 30V DC

PE-X15D series (See page 05/36)

- Square-flat type
- DC supply/3-wire, 12/24V DC
- Operating distance: 15mm

PE-T series (See page 05/36)

- Unique "Magnetic Shield Method" permits side-by-side mounting
- Only 12mm thick – achieved with IC
- Built-in reverse polarity and surge voltage protection

PE-L series (See page 05/39)

- Output voltage proportional to distance
- Linearity: $\pm 1.5\%$ of full scale
- Resolution: $\pm 0.05\%$ of full scale
- Operating frequency: Up to 10kHz
- Operating distance: 2 to 10mm

PE2-C series (See page 05/43)

- 4 shielded and 3 non-shielded types
- Stable operating level indicating lamp facilitates adjustment
- DC 2-wire, DC 3-wire and AC/DC 2-wire operating systems
- 40 to 250V AC/20 to 250V DC (AC/DC 2-wire system)

PE-X3D series (See page 05/47)

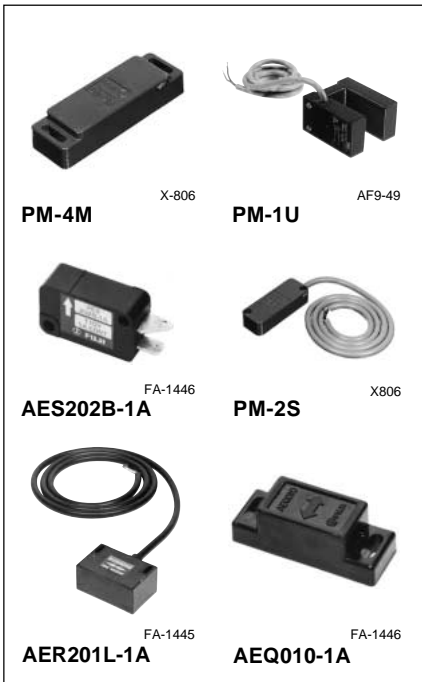
- Only 7mm thick
- Operating voltage range: 10 to 30V DC

PE-G4D (See page 05/49)

- Requires about half the mounting space of PE-B4 type.

Proximity Switches

General information



AES, AER and PM type proximity switches (Magnetically-operated reed switches)

In the standard type PM the reed switch element and the sensing magnet are separate elements. The AES type is also a separate type but is a miniaturized version. In the AER type the sensing magnet element and the reed switch are integrated in one housing.

■ Features

- Since these proximity switches make use of a permanent magnet no external power source is required to operate the reed switch.
- The dry reed contact switch is dependable in operation and has an extended service life.
- The unit strongly resists vibration and is both water-and dust-tight (except for AES type).
- Either an AC or DC power source can be used for the reed switch output.
- Compact in design and easy to install anywhere.
- Can be mounted on a steel frame (In this case the effective operating distance is reduced by one-half).

■ For further information

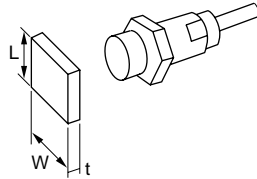
See pages 05/51, 52, 54, 55.

Inductive type

■ Description

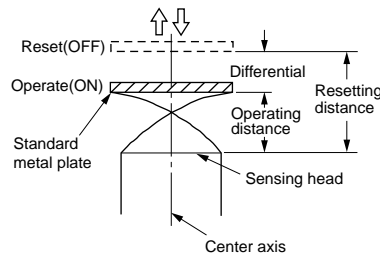
● Standard metal plate (object)

Standard metal plate (object) is a standard sensing target to measure the basic performance. Its shape, size, and material are stipulated. Iron is usually used as material.

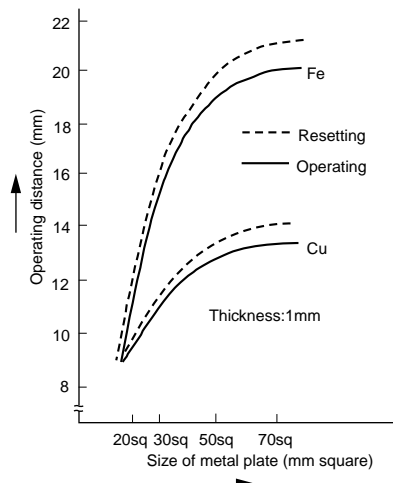


● Operating distance

The operating distance is the distance along the center axis of the head from the sensing head to the point where a metal plate traveling along the path actuates the switch. Normally the operating distance means this distance in vertical direction.



The following curves indicate typical operating distances. Values for aluminum or copper will be less than 1/2 those indicated for iron. In order for an object to be detected, its dimensions must be no smaller than 30 × 30mm, or no larger than 70 × 70mm. Objects smaller or larger will not be detected, regardless of material.



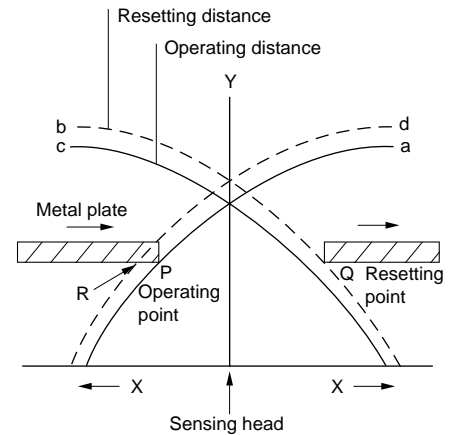
● Differential distance

This is the distance between the actuating point where the switch is actuated and the reset point where the switch resets after the metal plate is withdrawn from the sensing head.

● Response curve

This curve shows the detect-to-reset range with object distance from the head. The switch operates when the object approaching from the left reaches point P on curve 'a', and resets when the trailing edge of the object reaches point Q on curve 'b'.

The switch also resets when the object is withdrawn from point P to R on curve 'd'.



Magnetically operated type

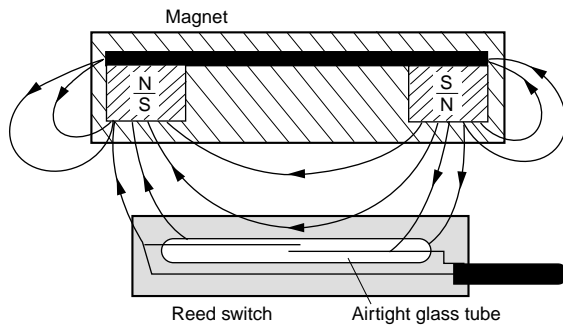
Operating

These switches comprise a sensor and a reed switch element, which closes when a magnetic object approaches.

Reed switch

The constructions of the reed switch and its magnetic element are shown in the diagram. The reed switch is made up of two magnetic reeds in an airtight glass tube. The 2 reeds are magnetized when they come within the magnetic field of the magnetic element. In this case the tips of these 2 reeds have positive and negative charges respectively and are attracted to each other. When the magnetic field is removed the magnetic charge is lost and the reed switch opens.

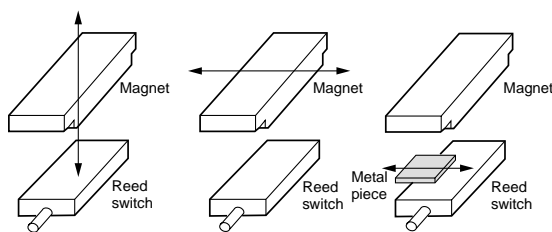
FUJI's reed switches are designed to operate in the same manner as the snap-action of conventional limit switches.



Mode of operation

The operation methods of the magnetic type proximity switches are as illustrated.

Separation type

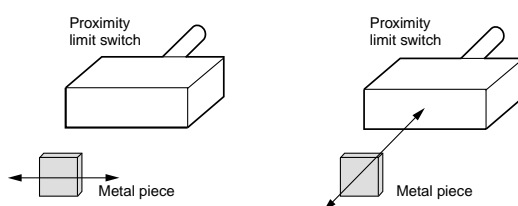


Reed switch is fixed but magnet moves in a vertical direction.

Reed switch is fixed but magnet moves in a horizontal direction.

Both the reed switch and magnet are fixed. And metal object passes between these two.

Integrated type



Proximity switch is fixed and the metal object moves in a horizontal direction.

Proximity switch is fixed and the metal piece moves forwards and backwards.

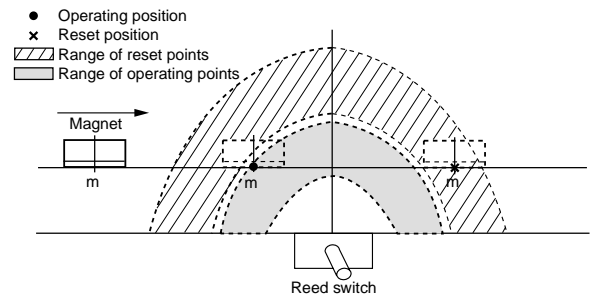
Operating characteristics

Short axis

Magnet: Travel

Reed switch: Fixed

The reed switch closes when 'm' the magnet center reaches '●' position. It resets at 'x' position.



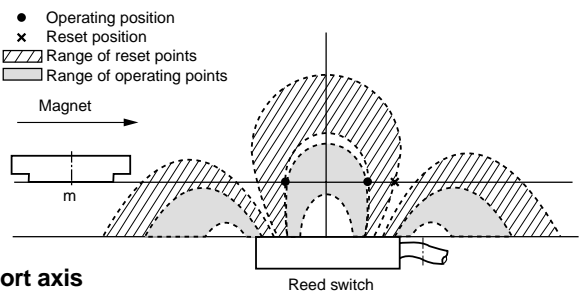
Long axis

Magnet: Travel

Reed switch: Fixed

This method is feasible but if the distance between the magnet and the reed switch is not correct the reed switch may switch 3 times when the magnet carries out only 1 travel.

Try to avoid using this arrangement.



Short axis

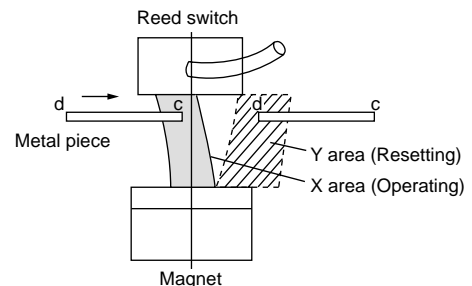
Magnet: Fixed

Reed switch: Fixed

(In this case the reed switch operates as an NC contact.)

Reed switch closes when the metal piece is out of 'X' region between the magnet and the reed switch.

When the metal piece passes through the 'X' region the reed switch will open. Thus the reed switch opens as soon as 'c' the tip of the metal piece reaches 'X' region and closes as soon as 'd' the end leaves 'Y' region.



Proximity Switches

PE-U12D and PE-U25NT

Inductive proximity switches—Slot type, PE-U

Supply voltage: 12/24V DC
Output: Transistor 50, 100mA max.
Operating distance: 7, 10mm

■ Features

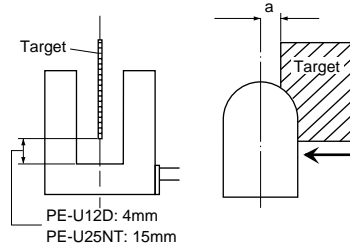
- The slot type detecting surfaces of 12 and 25mm are available. Stable detection characteristics can be obtained when a metal plate passes through the slot ON or OFF-center.
- Best suited for detection of magnetic metal plates passing through the slot.

- Provided with built-in reverse polarity and surge voltage protection circuits.
- LED indicator lamps are provided, thus facilitating operational checks.
- Degree of protection meets the requirement of IP67 (IEC), thus permitting operation in unfavorable environments.
- NPN transistor voltage/current outputs are provided, thus permitting a wide range of applications.

■ Specifications

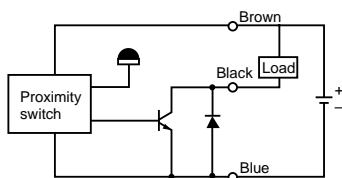
Type (Ordering code)	PE-U25NT (PE1U25-ND)	PE-U12D (PE1U12-D)
Operating distance	10mm ± 2*	7mm ± 1*
Standard target size (iron)	50 × 50 × 2.3mm	40 × 40 × 1mm
Supply voltage	12/24V DC	
Operating voltage range	10 to 30V DC	
Power consumption	Max. 20mA at 24V DC	Max. 15mA at 24V DC
Output capacity	Max. 100mA	Max. 50mA
Response time or frequency	Max. 3ms. (ON time)	Min. 50Hz
Differential	0.3 to 2mm	Max. 15% of operating distance
Ambient temperature	-25 to +70°C	
Degree of protection	IP67 (IEC)	
Insulation resistance	Over 50MΩ at 500V DC	
Dielectric strength	2000V AC rms. 1minute	1000V AC rms. 1minute
Mass	210g	120g

Note: * This indicates the distance "a" shown in figure at right.



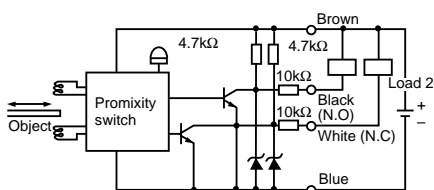
■ Wiring diagrams

PE-U12D



NPN transistor current output, 1NO

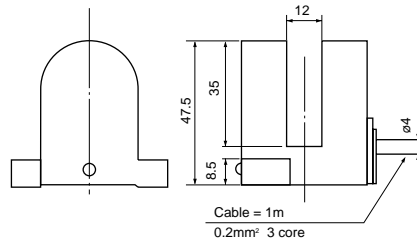
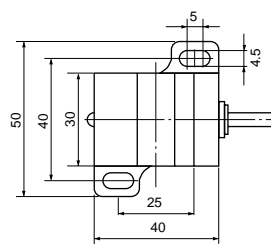
PE-U25NT



NPN transistor voltage/current output, SPDT

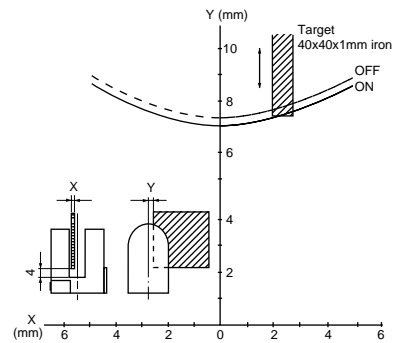
■ Dimensions, mm

PE-U12D

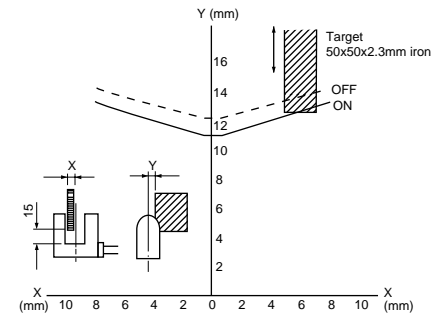


■ Response curve

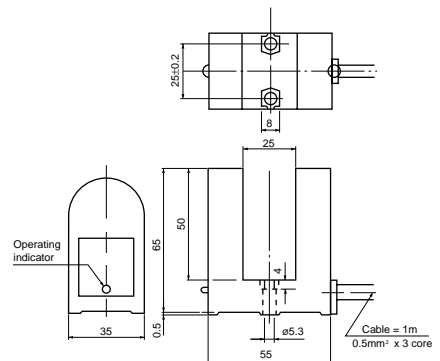
PE-U12D



PE-U25NT



PE-U25NT



■ Ordering information

Specify the following:
1. Type number or ordering code

Inductive proximity switches— Cylindrical type, PE1-C, PE1-Y

Operating system

DC supply/3-wire and 2-wire system
AC supply/2-wire system

Operating distance: 0.8 to 20mm

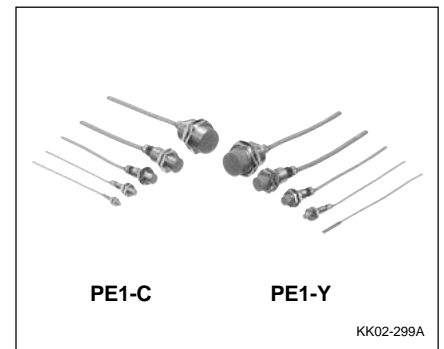
This proximity switch has a cylindrical shape. The sensor is fitted to an end of the cylinder and the body is provided with a built-in control circuit.

This type conforms to the requirements of the CENELEC (Europe) Standards and as the dimensions, ratings and performance comply with the

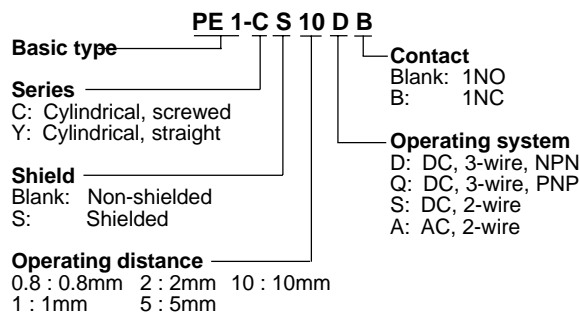
requirements of these Standards, this type can be used as replacement units.

■ Features

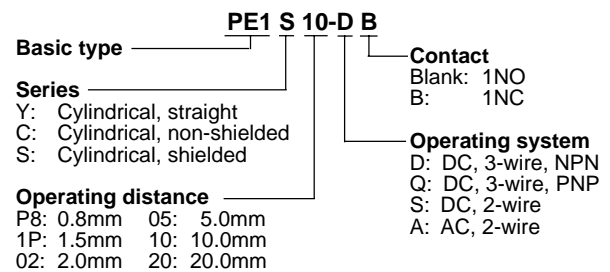
- Short length because of the use of IC circuit.
- Shielded and non-shielded type are available.
- Red and green LED is provided for a stable operating indication and easy setting, mounting diameter M12 or more and NO contact type only.
- Provided with reverse polarity and surge voltage protection circuits.
- Degree of protection: IEC IP67



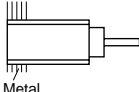
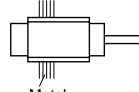
■ Type number nomenclature



■ Ordering code



■ Specifications

Description	Operating system	Operating distance (mm)	Mounting diameter	Supply voltage (Operating voltage range)	1NO Type	Ordering code	1NC Type	Ordering code
 Metal	DC supply 3-wire, NPN transistor output	0.8 0.8 1.5 2 5 10	4mm-dia. M5 M8 M12 M18 M30	12/24V DC (10 to 30V DC)	PE1-YS08D PE1-CS08D PE1-CS1R5D PE1-CS2D PE1-CS5D PE1-CS10D	PE1YP8-D PE1SP8-D PE1S1P-D PE1S02-D PE1S05-D PE1S10-D	PE1-YS08DB PE1-CS08DB PE1-CS1R5DB PE1-CS2DB PE1-CS5DB PE1-CS10DB	PE1YP8-DB PE1SP8-DB PE1S1P-DB PE1S02-DB PE1S05-DB PE1S10-DB
	DC supply 3-wire, PNP transistor output	0.8 0.8 1.5 2 5 10	4mm-dia. M5 M8 M12 M18 M30	12/24V DC (10 to 30V DC)	PE1-YS08Q PE1-CS08Q PE1-CS1R5Q PE1-CS2Q PE1-CS5Q PE1-CS10Q	PE1YP8-Q PE1SP8-Q PE1S1P-Q PE1S02-Q PE1S05-Q PE1S10-Q	PE1-YS08QB PE1-CS08QB PE1-CS1R5QB PE1-CS2QB PE1-CS5QB PE1-CS10QB	PE1YP8-QB PE1SP8-QB PE1S1P-QB PE1S02-QB PE1S05-QB PE1S10-QB
	DC supply 2-wire	2 5 10	M12 M18 M30	12/24V DC (10 to 30V DC)	PE1-CS2S PE1-CS5S PE1-CS10S	PE1S02-S PE1S05-S PE1S10-S	PE1-CS2SB PE1-CS5SB PE1-CS10SB	PE1S02-SB PE1S05-SB PE1S10-SB
	AC supply 2-wire	2 5 10	M12 M18 M30	120/240V AC (45 to 260V AC)	PE1-CS2A PE1-CS5A PE1-CS10A	PE1S02-A PE1S05-A PE1S10-A	PE1-CS2AB PE1-CS5AB PE1-CS10AB	PE1S02-AB PE1S05-AB PE1S10-AB
 Metal	DC supply 3-wire, NPN transistor output	2 5 10 20	M8 M12 M18 M30	12/24V DC (10 to 30V DC)	PE1-C2D PE1-C5D PE1-C10D PE1-C20D	PE1C02-D PE1C05-D PE1C10-D PE1C20-D	PE1-C2DB PE1-C5DB PE1-C10DB PE1-C20DB	PE1C02-DB PE1C05-DB PE1C10-DB PE1C20-DB
	DC supply 3-wire, PNP transistor output	2 5 10 20	M8 M12 M18 M30	12/24V DC (10 to 30V DC)	PE1-C2Q PE1-C5Q PE1-C10Q PE1-C20Q	PE1C02-Q PE1C05-Q PE1C10-Q PE1C20-Q	PE1-C2QB PE1-C5QB PE1-C10QB PE1-C20QB	PE1C02-QB PE1C05-QB PE1C10-QB PE1C20-QB
	DC supply 2-wire	5 10 20	M12 M18 M30	12/24V DC (10 to 30V DC)	PE1-C5S PE1-C10S PE1-C20S	PE1C05-S PE1C10-S PE1C20-S	PE1-C5SB PE1-C10SB PE1-C20SB	PE1C05-SB PE1C10-SB PE1C20-SB
	AC supply 2-wire	5 10 20	M12 M18 M30	120/240V AC (45 to 260V AC)	PE1-C5A PE1-C10A PE1-C20A	PE1C05-A PE1C10-A PE1C20-A	PE1-C5AB PE1-C10AB PE1-C20AB	PE1C05-AB PE1C10-AB PE1C20-AB

Proximity Switches

PE1-C, PE1-Y

■ Specifications

Type	PE1-YS08D, DB PE1-CS08D, DB	PE1-YS08Q, QB PE1-CS08Q, QB	PE1-CS□D, DB PE1-C□D, DB	PE-CS□Q, QB PE1-C□Q, QB	PE1-CS□S, SB PE1-C□S, SB	PE1-CS□A, AB PE1-C□A, AB
Output	NPN transistor, open collector output		PNP transistor, open collector output		Transistor output	Thyristor output
Current consumption	10mA or less at 24V DC		15mA or less at 24V DC		–	–
Leakage current	–		–		0.8mA or less at 24V DC	1.5mA or less at 200V AC
Ambient temperature	–25 to 70°C		–25 to 80°C		–25 to 80°C	–25 to 80°C
Dielectric strength	250V AC 1 min.		1000V AC 1 min.		1000V AC 1 min.	2000V AC 1 min.
Insulation resistance	50MΩ or more at 250V DC megger		50MΩ or more at 500V DC megger			
Degree of protection	IP67 (IEC Standard)					
Vibration	10-55Hz, 1.5mm double amplitude (in X, Y, Z directions, respectively for 2 hours)					
Shock	500m/s ²		–			
Protection circuit	Reverse polarity and surge voltage		Reverse polarity, short-circuit and surge voltage			Surge voltage

■ Response frequency

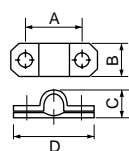
Type	Frequency (Hz)
PE1-CS1R5D, 5DB, 5Q, 5QB	2000
PE1-CS2D, 2DB, 2Q, 2QB	1500
PE1-YS08D, 08DB, 08Q, 08QB PE1-CS08D, 08DB, 08Q, 08QB PE1-CS2S, 2SB	1000
PE1-C2D, 2DB, 2Q, 2QB PE1-C5S, 5SB	800
PE1-CS5D, 5DB, 5Q, 5QB	600
PE1-CS5S, 5SB	500
PE1-CS10D, 10DB, 10Q, 10QB, 10S, 10SB PE1-C5D, 5DB, 5Q, 5QB, 10S, 10SB	400
PE1-C10D, 10DB, 10Q, 10QB	200
PE1-C20D, 20DB, 20Q, 20QB	100
PE1-CS2A, 2AB, 5A, 5AB, 10A, 10AB PE1-C5A, 5AB, 10A, 10AB, 20A, 20AB	25

■ Accessories (optional)

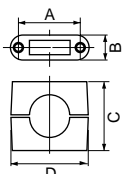
● Mounting brackets

Type	Ordering code	Dimensions, mm				Screw (supplied)	Used with
		A	B	C	D		
PX1-P4	PE1Z0036	13	7.5	6	20	M3 × 10	PE1-YS08
PX1-P8	PE1Z0037	18	10	18	28	M4 × 20	PE1-CS1R5 PE1-C2
PX1-P12	PE1Z0033	24	12.5	20	37	M4 × 25	PE1-CS2 PE1-C5
PX1-P18	PE1Z0034	32	17	30	47	M5 × 32	PE1-CS5 PE1-C10
PX1-P30	PE1Z0035	45	17	50	60	M5 × 50	PE1-CS10 PE1-C20

PX1-P4



PX1-P8 to P30



■ Output capacity

Type	Output
PE1-YS08D, 08DB, 08Q, 08QB PE1-CS08D, 08DB, 08Q, 08QB	Current output*1 100mA max.
PE1-CS1R5D, 5DB, 5Q, 5QB PE1-CS2D, 2DB, 2Q, 2QB PE1-CS5D, 5DB, 5Q, 5QB PE1-CS10D, 10DB, 10Q, 10QB PE1-C2D, 2DB, 2Q, 2QB PE1-C5D, 5DB, 5Q, 5QB PE1-C10D, 10DB, 10Q, 10QB PE1-C20D, 20DB, 20Q, 20QB	Current output*1 200mA max.
PE1-CS2S, 2SB, 5S, 5SB, 10S, 10SB PE1-C5S, 5SB, 10S, 10SB, 20S, 20SB	Current output 3 to 200mA
PE1-CS2A, 2AB, 5A, 5AB, 10A, 10AB PE1-C5A, 5AB, 10A, 10AB, 20A, 20AB	Current output*2 5 to 200mA

*1 Transistor, open collector output

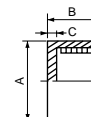
*2 Refer to output capacity derating curve, see page 05/128

● Surface protection covers

Type	Ordering code	Dimensions, mm			Used with
		A	B	C	
PX1-C12S	PE1Z0030	∅15	5	0.6	PE1-CS2
PX1-C18S	PE1Z0031	∅22.5	8	1.1	PE1-CS5
PX1-C30S	PE1Z0032	∅35	12	1.6	PE1-CS10

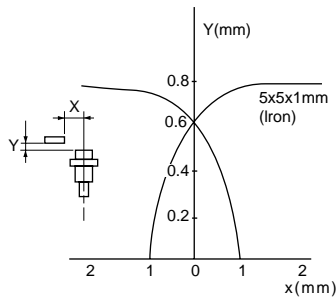


KK02-301A

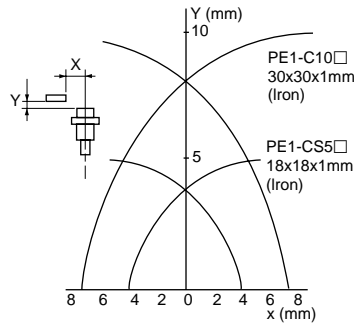


Response curve for iron (Typical)

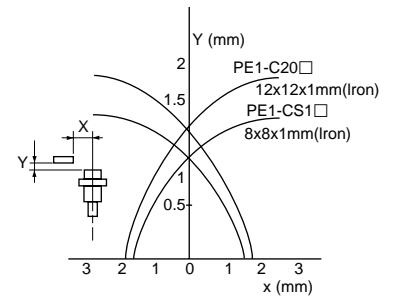
PE1-YS08
PE1-CS08



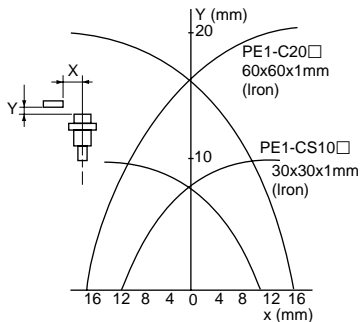
PE1-CS5□
PE1-C10□



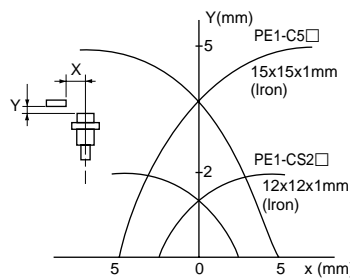
PE1-CS1R5
PE1-C2□



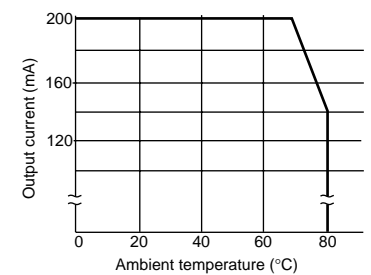
PE1-CS10□
PE1-C20□



PE1-CS2□
PE1-C5□

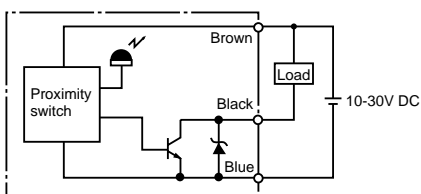


Output capacity derating
PE1-C□A

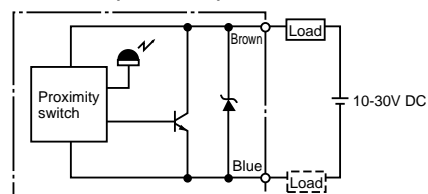


Wiring diagrams

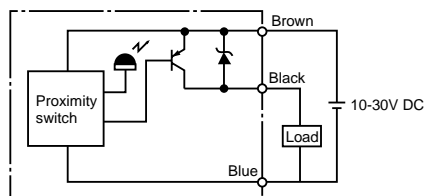
DC supply/3-wire system, NPN transistor output



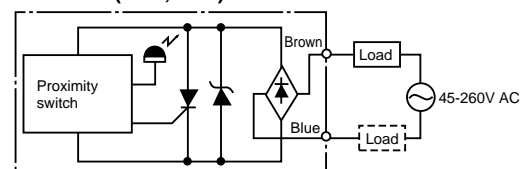
DC supply/2-wire system PE1-C□S (1NO, 1NC)



DC supply/3-wire system, PNP transistor output

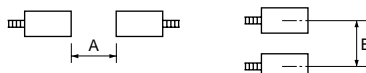


AC supply/2-wire system PE1-C□A (1NO, 1NC)



Mutual interference

Be sure to space two switches at a distance greater than that shown in the table at right to prevent mutual interference.



Type	A (mm)	B (mm)
PE1-YS08□	10	5
PE1-CS08□	10	5
PE1-CS1R5□	20	15
PE1-CS2□	30 (15)	20 (12)
PE1-CS5□	50 (25)	30 (18)
PE1-CS10□	100 (50)	70 (35)
PE1-C2□	30	30
PE1-C5□	80 (40)	80 (40)
PE1-C10□	200 (100)	120 (60)
PE1-C20□	300 (150)	200 (100)

Note: The values in parentheses are applicable when using two switches with oscillation frequencies different from each other.

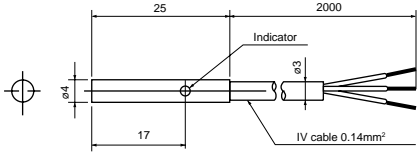
Proximity Switches

PE1-C, PE1-Y

■ Dimensions, mm

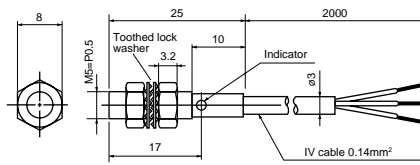
● Shielded

PE1-YS08□



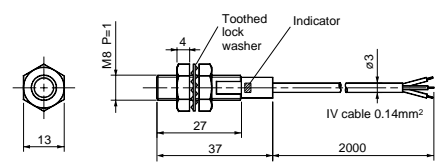
Mass: 30g

PE1-CS08□



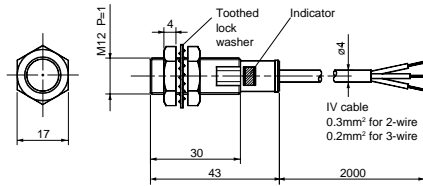
Mass: 30g

PE1-CS1R5□



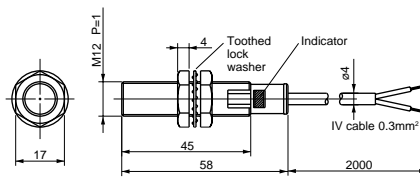
Mass: 40g

PE1-CS2□



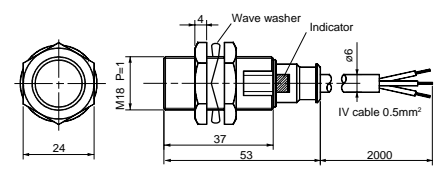
Mass: 70g

PE1-CS2A



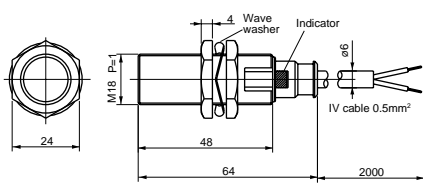
Mass: 100g

PE1-CS5□



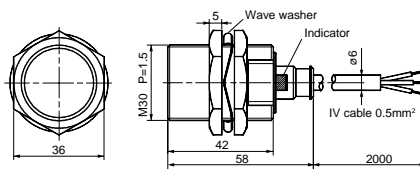
Mass: 160g

PE1-CS5A



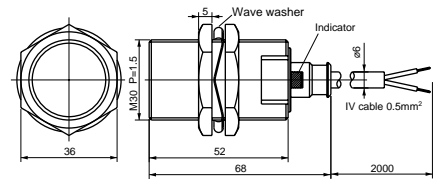
Mass: 170g

PE1-CS10□



Mass: 280g

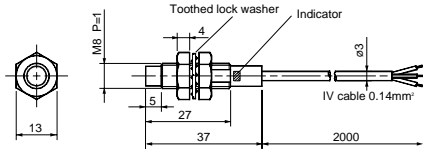
PE1-CS10A



Mass: 340g

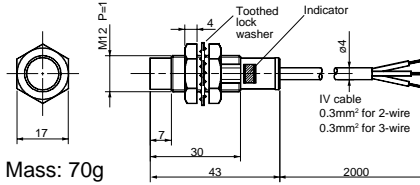
● Non-shielded

PE1-C2□



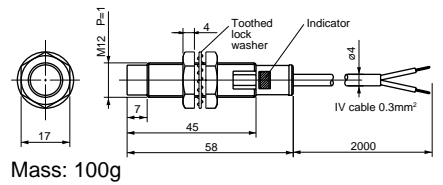
Mass: 40g

PE1-C5□



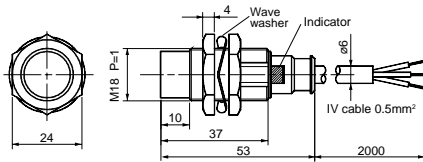
Mass: 70g

PE1-C5A



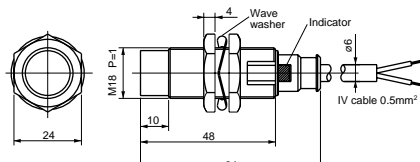
Mass: 100g

PE1-C10□



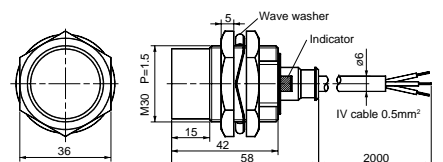
Mass: 160g

PE1-C10A



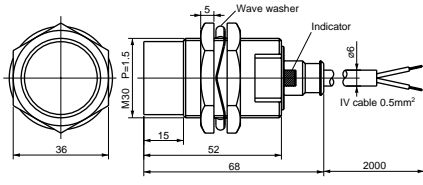
Mass: 170g

PE1-C20□



Mass: 280g

PE1-C20A



Mass: 340g

**Inductive proximity switches—
Square type, PE-B**

Supply voltage:
10-30V DC
80-250V AC, 50/60Hz
Operating distance: 4 to 50mm

■ Features

- Operating distance from 4mm to 50mm permits a variety of applications.
- LED's for operating indication lamp are provided for all types thus facilitating operation checks.

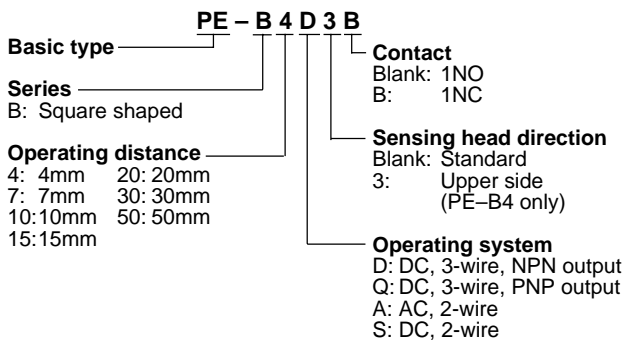
- Ones with an operating distance of over 20mm meet the requirements of the CENELEC Standards.
- Wide operating voltage range
Operating range of supply voltage is from 80 to 250V AC or from 10 to 30V DC.
- Provided with built-in reverse polarity and surge voltage protection circuits.
- PNP output types are also available thus permitting application to machine tools in Europe.



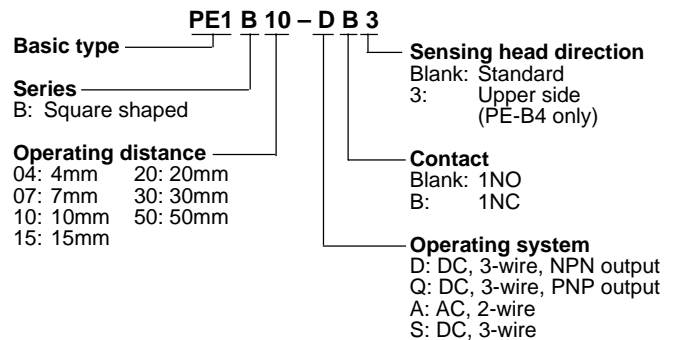
PE-B

SK-588

■ Type number nomenclature



■ Ordering code



05

■ Versions

Operating system	Target size (mm)	Operating distance (mm)	Output * 1NO				Output * 1NC			
			Type	Ordering code	Type	Ordering code	Type	Ordering code	Type	Ordering code
DC supply 3-wire	20 × 20 × 1	4	PE-B4D	PE1B04-D	PE-B4DB	PE1B04-DB	PE-B4Q	PE1B04-Q	PE-B4QB	PE1B04-QB
	20 × 20 × 1	4	PE-B4D3	PE1B04-D3	PE-B4D3B	PE1B04-DB3	PE-B4Q3	PE1B04-Q3	PE-B4QB3	PE1B04-QB3
	30 × 30 × 1	7	PE-B7D	PE1B07-D	PE-B7DB	PE1B07-DB	PE-B7Q	PE1B07-Q	PE-B7QB	PE1B07-QB
	40 × 40 × 1	10	PE-B10D	PE1B10-D	PE-B10DB	PE1B10-DB	PE-B10Q	PE1B10-Q	PE-B10QB	PE1B10-QB
	50 × 50 × 1	15	PE-B15D	PE1B15-D	PE-B15DB	PE1B15-DB	—	—	—	—
	50 × 50 × 1	20	PE-B20D	PE1B20-D	PE-B20DB	PE1B20-DB	PE-B20Q	PE1B20-Q	PE-B20QB	PE1B20-QB
	90 × 90 × 1	30	PE-B30D	PE1B30-D	PE-B30DB	PE1B30-DB	PE-B30Q	PE1B30-Q	PE-B30QB	PE1B30-QB
	150 × 150 × 1	50	PE-B50D	PE1B50-D	PE-B50DB	PE1B50-DB	PE-B50Q	PE1B50-Q	PE-B50QB	PE1B50-QB
AC supply 2-wire	30 × 30 × 1	7	PE-B7A	PE1B07-A	—	—	—	—	—	—
	40 × 40 × 1	10	PE-B10A	PE1B10-A	—	—	—	—	—	—
	50 × 50 × 1	20	PE-B20A	PE1B20-A	—	—	—	—	—	—
	90 × 90 × 1	30	PE-B30A	PE1B30-A	PE-B30AB	PE1B30-AB	—	—	—	—
	150 × 150 × 1	50	PE-B50A	PE1B50-A	PE-B50AB	PE1B50-AB	—	—	—	—
DC supply 2-wire	20 × 20 × 1	4	PE-B4S	PE1B04-S	PE-B4SB	PE1B04-SB	—	—	—	—
	30 × 30 × 1	7	PE-B7S	PE1B07-S	PE-B7SB	PE1B07-SB	—	—	—	—
	40 × 40 × 1	10	PE-B10S	PE1B10-S	PE-B10SB	PE1B10-SB	—	—	—	—
	50 × 50 × 1	20	PE-B20S	PE1B20-S	PE-B20SB	PE1B20-SB	—	—	—	—
	90 × 90 × 1	30	PE-B30S	PE1B30-S	PE-B30SB	PE1B30-SB	—	—	—	—
	150 × 150 × 1	50	PE-B50S	PE1B50-S	PE-B50SB	PE1B50-SB	—	—	—	—

Notes: *PE-B□D: NPN transistor, open collector output
PE-B□Q: PNP transistor, open collector output
PE-B□A: Thyristor output
PE-B□S: Transistor output

■ Ordering information

Specify the following:

1. Type number or ordering code

Proximity Switches

PE-B

Specifications

Type	PE-B□D, PE-B□DB	PE-B□Q, PE-B□QB	PE-B□S, PE-B□SB	PE-B□A, PE-B□AB
Output	NPN transistor, open collector output	PNP transistor, open collector output	Transistor, output	Thyristor, output
Supply voltage	12/24V DC *1		12/24V DC *1	120/240V AC *2
Output capacity	Max. 200mA at 12/24V DC (PE-B4D□, PE-B4Q□: Max. 50mA at 12/24V DC)		Max. 100mA	10 to 200mA
Current consumption	Max. 15mA at 24V DC		0.8mA or less (Leakage current)	2mA at 200V AC (Leakage current)
Ambient temperature	-25 to +75°C		-25 to +75°C	-25 to +75°C
Dielectric strength	2000V AC, 1 min.		2000V AC, 1 min.	2000V AC, 1 min.
Insulation resistance	Over 50MΩ (500V DC megger)			
Degree of protection	IP67 (IEC)			
Response frequency	See table below			
Vibration	10 to 55Hz, 1.5mm double amplitude (in X, Y and Z direction, respectively for two hours)			
Shock	500m/s ²			
Circuit protection	Short-circuit (except PE-B□A and PE-B□AB), reverse polarity, surge voltage			

Notes: *1 Operational voltage range: 10 to 30V DC *2 Operational voltage range: 80 to 250V AC.

Response frequency

DC supply

PE-B7D, PE-B7Q, PE-B7S	300Hz
PE-B4D, PE-B4Q, PE-B4S	200Hz
PE-B10D, PE-B10Q, PE-B10S	

PE-B15D, PE-B20D, PE-B20Q, PE-B20S	100Hz
PE-B30D, PE-B30Q, PE-B30S	50Hz
PE-B50D, PE-B50Q, PE-B50S	10Hz

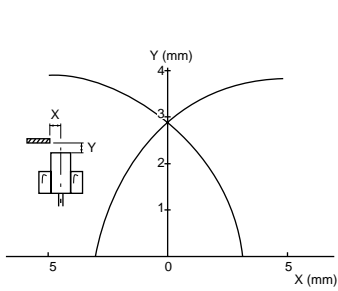
AC supply

PE-B7A, PE-B10A, PE-B20A	20Hz
PE-B30A, PE-B50A	5Hz

Response curve for iron (Typical)

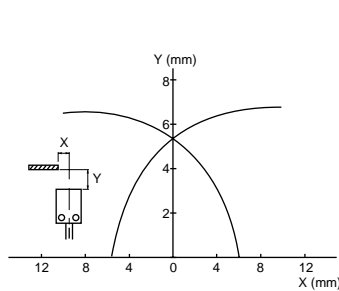
PE-B4□

Material: Iron
20 × 20 × 1mm



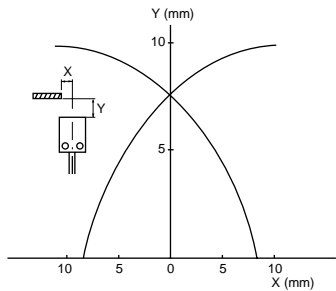
PE-B7□

Material: Iron
30 × 30 × 1mm



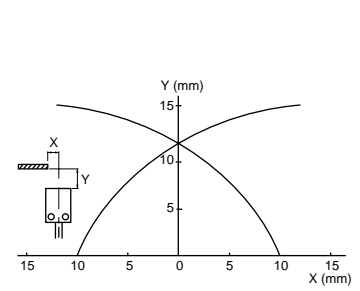
PE-B10□

Material: Iron
40 × 40 × 1mm



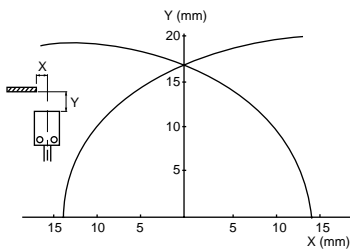
PE-B15□

Material: Iron
50 × 50 × 1mm



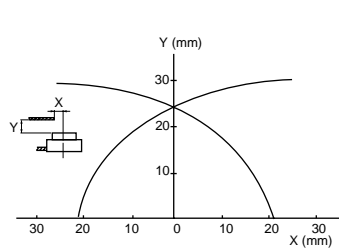
PE-B20□

Material: Iron
50 × 50 × 1mm



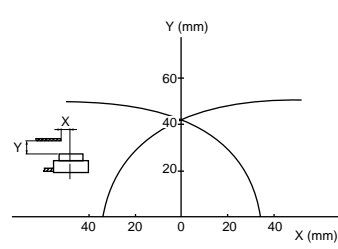
PE-B30□

Material: Iron
90 × 90 × 1mm



PE-B50□

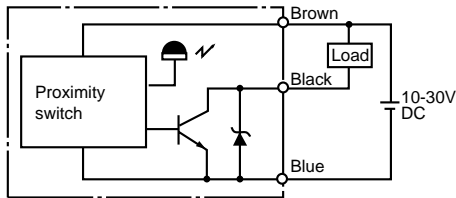
Material: Iron
150 × 150 × 1mm



■ Wiring diagrams

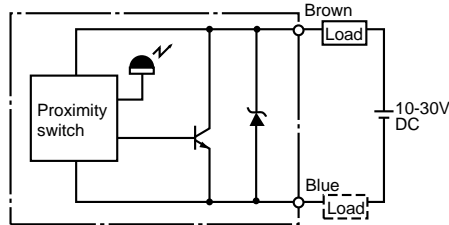
● DC supply/3-wire system

PE-B□D



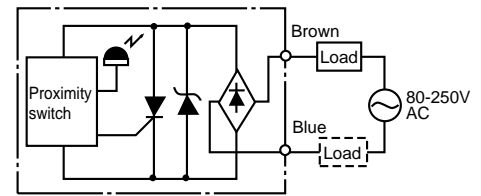
● DC supply/2-wire system

PE-B□S

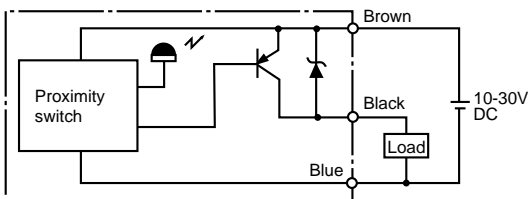


● AC supply/2-wire system

PE-B□A

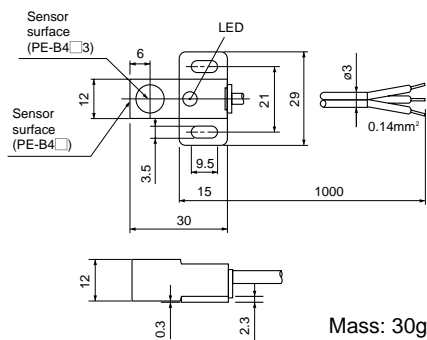


PE-B□Q

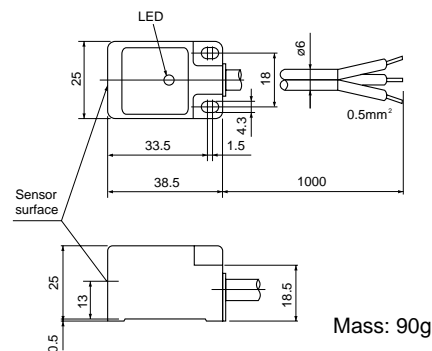


■ Dimensions, mm

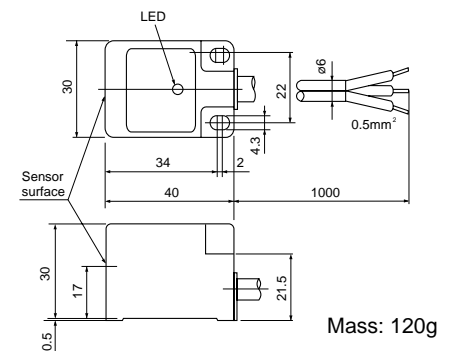
PE-B4□, B4□3 PE-B4□B, B4□3B



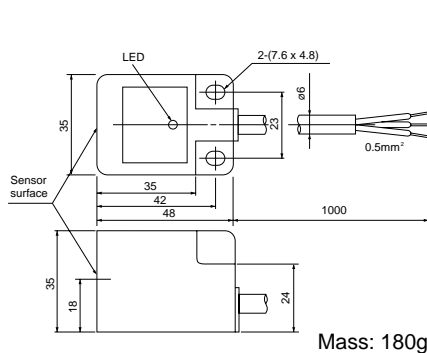
PE-B7□, PE-B7□B



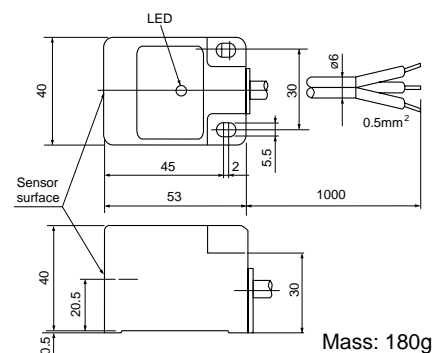
PE-B10□, PE-B10□B



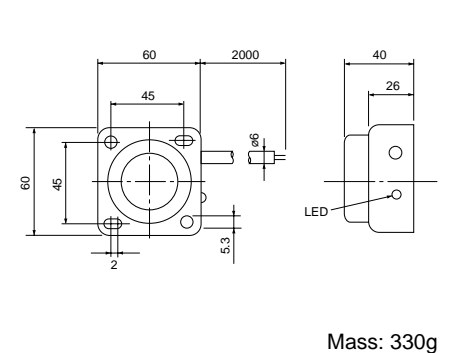
PE-B15D, PE-B15DB



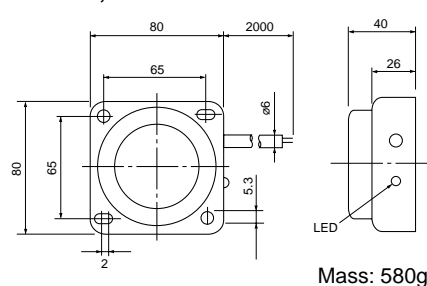
PE-B20□, PE-B20□B



PE-B30□, PE-B30□B

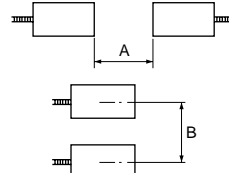


PE-B50□, PE-B50□B



■ Mutual interference:

Be sure to space two switches at a distance greater than that shown in the table at right to prevent mutual interference.



Type	A (mm)	B (mm)
PE-B4□	60 (30)	60 (30)
BE-B7□	80 (40)	80 (40)
PE-B10□	120 (60)	120 (60)
PE-B15□	200 (100)	120 (60)
PE-B20□	200 (100)	200 (100)
PE-B30□	300 (150)	300 (150)
PE-B50□	500 (250)	500 (250)

Note: The values in parentheses are applicable when using two switches with oscillation frequencies different from each other.

Proximity Switches

PE-X15D

Inductive proximity switches— Square flat type, PE-X15D

Operating system:
DC supply/3-wire system
Supply voltage range: 10 to 30V DC
Operating distance: 15mm

■ Features

- Degree of protection meets the requirements of IEC IP66, thus permitting operations in unfavorable environment.

- Only two screws are needed to affix each switch, eliminating the need for exclusive mounting brackets.
- Incorporates surge suppression circuits and protection circuits against reverse polarity and short-circuits.

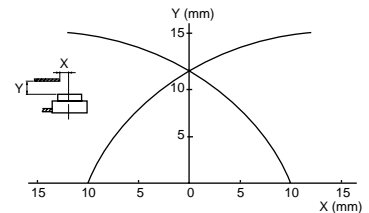


■ Specifications

Type (Ordering code)	PE-X15D
Operating system	DC supply/3-wire
Output	NPN transistor, open collector, 1NO
Operating distance	15mm ±10%
Target size (iron)	50×50×1mm (iron)
Differential distance	Max. ±10% of operating distance
Rated voltage	12/24V DC (10 to 30V DC)
Switching capacity	200mA max.
Current consumption	15mA max. at 24V DC
Residual voltage	1.5V max. at 24V DC, 200mA
Response frequency	100Hz
Variation due to voltage fluctuation	Max. ±1% of operating distance at 12/24V DC when operated within 10 to 30V DC
Variation due to temperature fluctuation	Max. ±10% of operating distance at 20°C within temperature range of -25 to +70°C
Dielectric strength	1000V AC, 1min.
Insulation resistance	50MΩ or more (500V DC)
Degree of protection	IP66 (IEC)
Ambient temperature	-25 to +70°C (avoid icing)
Humidity	35 to 95% RH
Vibration	10–55Hz, 1.5mm double amplitude
Shock	500m/s ² (approx. 50G)

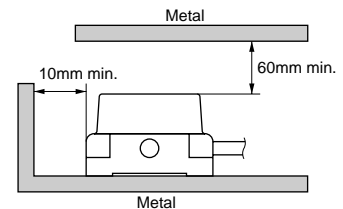
■ Response curve for iron

Material: Iron
50×50×1mm

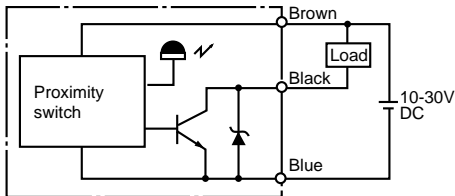


• Influence of surrounding metals:

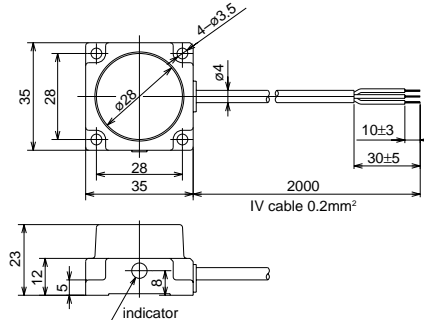
When mounting a proximity switch surrounded by metals, be sure to provide a minimum distance as shown below.



■ Wiring diagrams



■ Dimensions, mm



Mass: 80g

Inductive proximity switches— Slim type, PE-T

Supply voltage: 12/24V DC
120/240V AC
Output capacity: Max. 200mA

■ Features

- Unusual “Magnetic Shield Method” permits to mount these units side by side, touching each other. (Shielded type PE-TS2)
- Only 12mm in thickness because of the use of IC.

- Wide operating voltage range
Operating range of supply voltage is from 80 to 250V AC or from 10 to 30V DC.
- LED indicators are provided for all types thus facilitating operation checks.
- Provided with built-in reverse polarity and surge voltage protection circuits.
- Water and oil-tight
Degree of protection meets the requirements of IEC IP67 thus permitting operations in unfavorable environment.



■ Ordering information

Specify the following:
1. Type number or ordering code

■ Versions

Description	Operating system	Target size (mm)	Operating distance (mm)	Output 1NO Type	Ordering code	1NC Type	Ordering code
Shielded	DC supply/3-wire	12 × 12 × 1	2	PE-TS2D PE-TS2Q	PE1T02-D PE1T02-Q	PE-TS2DB PE-TS2QB	PE1T02-DB PE1T02-QB
	DC supply/2-wire	12 × 12 × 1	2	PE-TS2S	PE1T02-S	PE-TS2SB	PE1T02-SB
	AC supply/2-wire	12 × 12 × 1	2	PE-TS2A	PE1T02-A	—	—
Non-shielded	DC supply/3-wire	20 × 20 × 1	4	PE-T4D PE-T4Q	PE1N04-D PE1N04-Q	PE-T4DB PE-T4QB	PE1N04-DB PE1N04-QB
	DC supply/2-wire	20 × 20 × 1	4	PE-T4S	PE1N04-S	PE-T4SB	PE1N04-SB
	AC supply/2-wire	20 × 20 × 1	4	PE-T4A	PE1N04-A	—	—

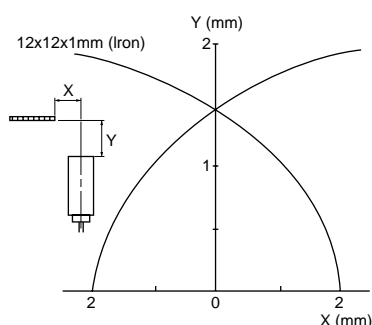
■ Specifications

Type	PE-TS2D, PE-T4D	PE-TS2Q, PE-T4Q	PE-TS2S, PE-T4S	PE-TS2A, PE-T4A
Output	NPN transistor, open collector output	PNP transistor, open collector output	Transistor output	Thyristor output
Supply voltage	12/24V DC*1		120/240V AC*2	
Output capacity	Max. 200mA		10 to 200mA	
Current consumption	Max. 15mA at 24V DC		Max. 0.8mA (Leakage current)	Max. 2mA at 200V AC (Leakage current)
Ambient temperature	−25 to +70°C	−25 to +70°C	−25 to +70°C	−25 to +70°C
Dielectric strength	2000V AC, 1 min.	2000V AC 1 min.	2000V AC, 1 min.	2000V AC 1 min.
Insulation resistance	Over 50MΩ (500V DC)	Over 50MΩ at 500V DC	Over 50MΩ (at 500V DC)	Over 50MΩ (at 500V DC)
Degree of protection	IP67 (IEC)	IP67 (IEC)	IP67 (IEC)	IP67 (IEC)
Response frequency	See table below			

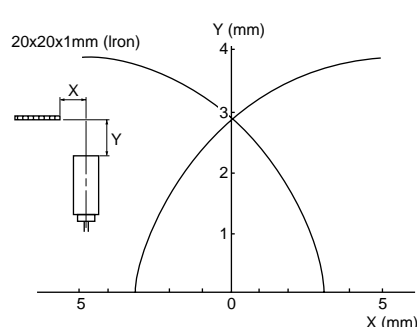
Notes: *1 Operating voltage range: 10 to 30V DC *2 Operating voltage range: 80 to 250V AC.

■ Response curve for iron

PE-TS2□



PE-T4□



■ Response frequency

DC supply types

PE-TS2D, PE-TS2Q	800Hz
PE-TS2S	
PE-T4D, PE-T4Q	250Hz
PE-T4S	

AC supply types

PE-TS2A, PE-T4A	20Hz
-----------------	------

Proximity Switches

PE-T

■ Type number nomenclature

PE - TS 2 - D B

Contact

Blank: 1NO
B: 1NC

Operating system

D: DC, 3-wire, NPN output
Q: DC, 3-wire, PNP output
S: DC, 2-wire
A: AC, 2-wire

Operating distance

2: 2mm
4: 4mm

Series

TS: Shielded, slim type
N: Non-shielded, slim type

Basic type

■ Ordering code

PE1 T 02 - D B

Contact

Blank: 1NO
B: 1NC

Operating system

D: DC, 3-wire, NPN output
Q: DC, 3-wire, PNP output
S: DC, 2-wire
A: AC, 2-wire

Operating distance

02: 2mm
04: 4mm

Series

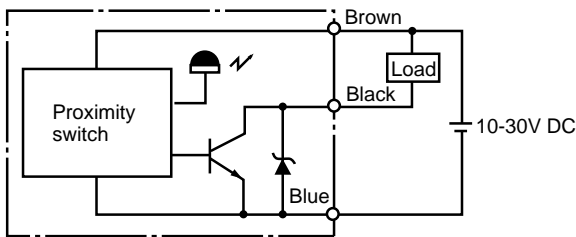
T: Shielded, slim type
N: Non-shielded, slim type

Basic type

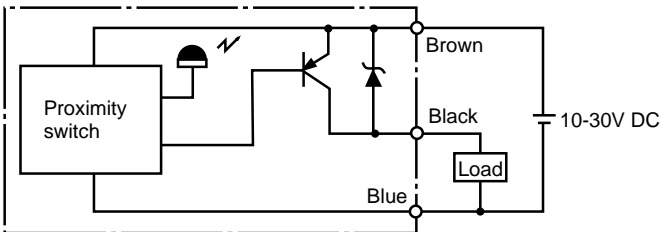
■ Wiring diagrams

● DC supply/3-wire system

PE-T□D

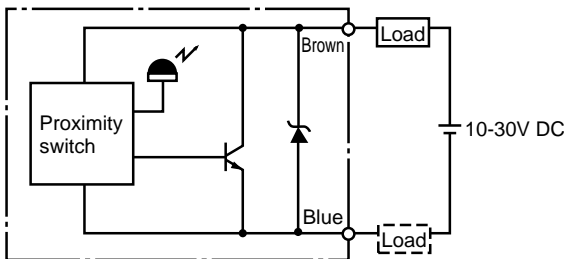


PE-T□Q



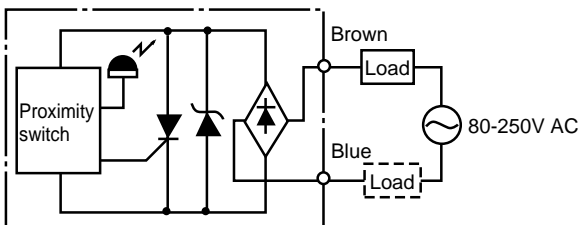
● DC supply/2-wire system

PE-T□S

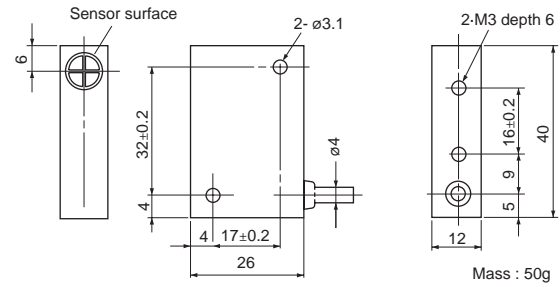


● AC supply/2-wire system

PE-T□A

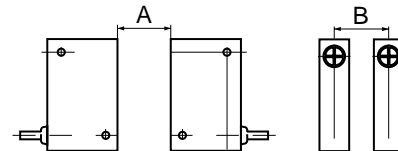


■ Dimensions, mm



■ Mutual interference:

Be sure to space two switches at a distance greater than that shown in the table below to prevent mutual interference.



Type	A (mm)	B (mm)
PE-TS2□	24(12)	24(12)
PE-T4□	60(30)	60(30)

Note: The values in parentheses are applicable when using two switches with oscillation frequencies different from each other.

Inductive proximity switches- Analog output type, PE-L

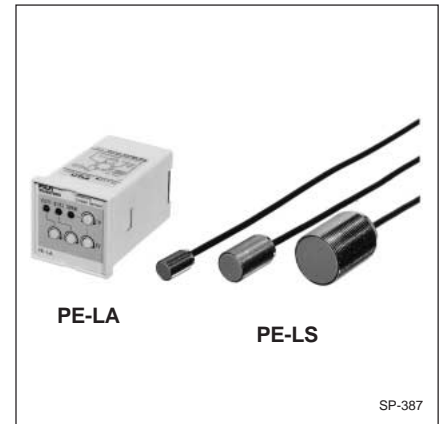
■ Description

These switches are ideally suited for deformation inspections, position controls of laser beam machines and similar displacement measurements and controls of a variety of machines.

■ Features

- Red LED indicator lamp
- Output voltage proportional to the distance from the object.

- The accuracy of linearity is $\pm 1.5\%$ of full scale and the resolution accuracy $\pm 0.05\%$ of full scale, thus permitting a highly accurate measurement and detection of minute displacement of distance.
- Provided with 2 switching output circuits so as to detect an arbitrary position within the detecting range by incorporating a built-in comparator circuit.
- Provided with a SPAN indicator lamp.



● Sensor

External diameter	Type	Ordering code
M12	PE-LS2	PE1L02
M18	PE-LS5	PE1L05
M30	PE-LS10	PE1L10

● Amplifier unit

12/24V DC Type		110V AC Type		220V AC Type	
Type	Ordering code	Type	Ordering code	Type	Ordering code
PE-LA2D	PE1LA02-T	PE-LA2A/1	PE1LA02-H	PE-LA2A/2	PE1LA02-M
PE-LA5D	PE1LA05-T	PE-LA5A/1	PE1LA05-H	PE-LA5A/2	PE1LA05-M
PE-LA10D	PE1LA10-T	PE-LA10A/1	PE1LA10-H	PE-LA10A/2	PE1LA10-M

■ Specifications

● Sensor

Type	PE-LS2	PE-LS5	PE-LS10
Rated operating distance	2mm	5mm	10mm
Standard material of target	Magnetic materials		
Operating distance range	0.4–2mm	1–5mm	2–10mm
Standard target size (Iron) t: thickness	12 x 12 x 1t	18 x 18 x 1t	30 x 30 x 1t
Response frequency	10kHz	5kHz	2kHz
Ambient temperature	–25 to +70°C		
Degree of protection	IP67 (IEC)		
Mass (Includes a 3m prewired cable)	90g	120g	220g

● Amplifier

Description		DC supply	AC supply
Supply voltage		12/24V DC	110, 220V AC, 50/60 Hz*
Power consumption		30mA max.	40mA max.
Analog output characteristic	Resolution Linearity	0.05% of full scale $\pm 1.5\%$ of full scale	
Switching output characteristic	Differential	1 to 5% of rated operating distance	
Adjustment function	Analog output voltage adjustment	1 Volt adj.	Adjustment for output voltage of 1 Volt at 20% of rated operating distance
		5 Volts adj.	Adjustment for output voltage of 5 Volts at rated operating distance
	Switching output adjustment	Output 1 adj.	Adjustment for operating position of ON/OFF output
Output 2 adj.			
Output	Analog output	1 to 5 Volts	
	Switching output	Output 1	NPN transistor output 100mA max. (30V DC)
Output 2			
Indicator	SPAN indicator, Switching output indicator		
Ambient temperature	–10 to +55°C		
Mass	100g	180g	
Socket	TP28S, TP28X, ATX1NS (8-pin)		

Note: * Operating voltage range 100V: 85-121V AC
200V: 170–242V AC

■ Application examples

Detecting of height and thickness of product

Position control for laser beam machine

Measuring of plate and welded joint thickness

Feed control for grinder wheel

■ Ordering information

Specify the following:
1. Type number (ordering code)

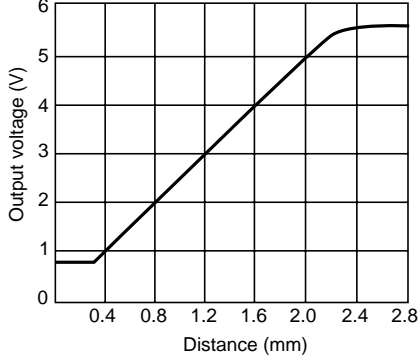
Proximity Switches

PE-L

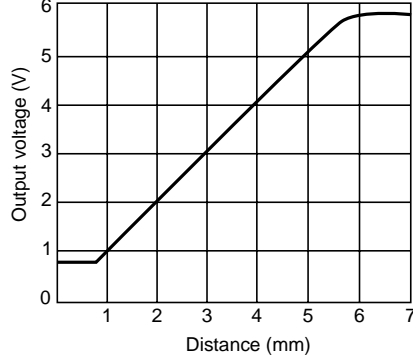
Typical characteristic data

Distance-output voltage

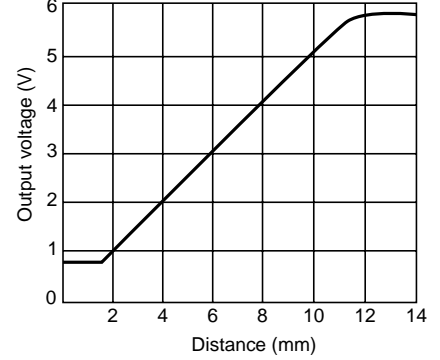
● PE-LS2



● PE-LS5

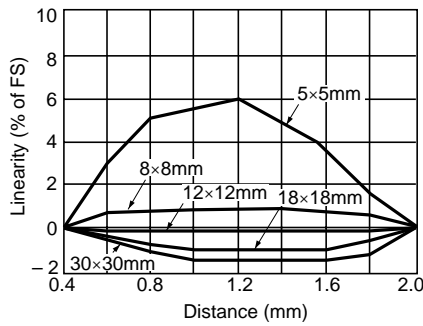


● PE-LS10

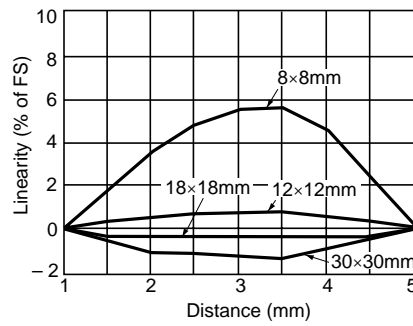


Size of target-Linearity

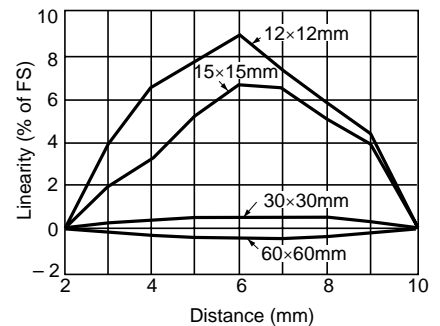
● PE-LS2



● PE-LS5

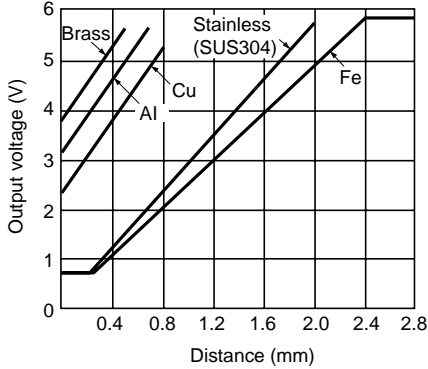


● PE-LS10

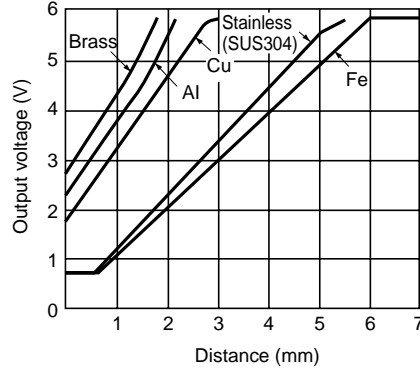


Material of target-Output voltage

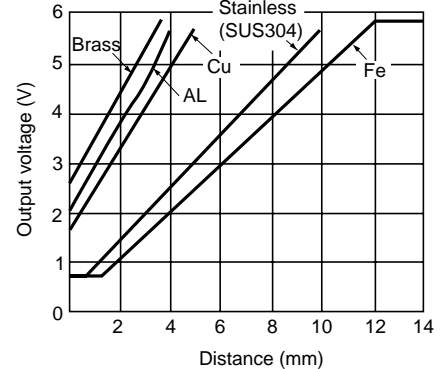
● PE-LS2



● PE-LS5

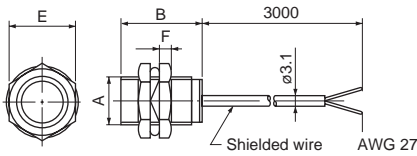


● PE-LS10



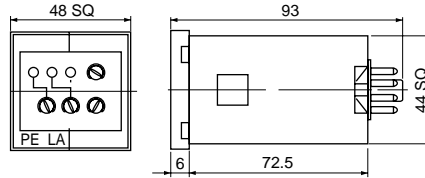
■ Dimensions, mm

● Sensor

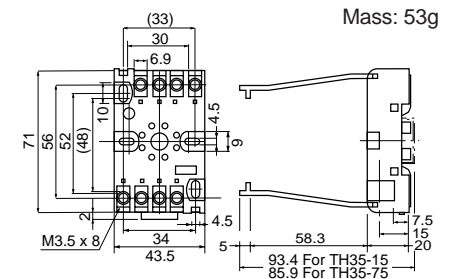


Type	A	B	E	F
PE-LS2	M12×1	20	17	4
PE-LS5	M18×1	30	24	4
PE-LS10	M30×1.5	40	36	5

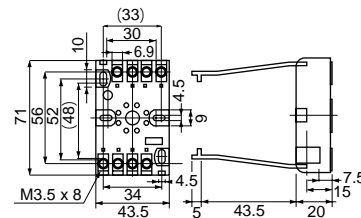
● Amplifier-unit



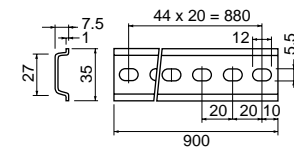
● Socket/Rail mounting TP28X



● Socket/Surface mounting TP28S

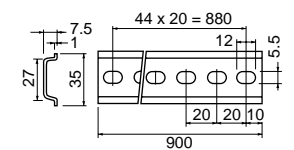


● Mounting rails TH35-7.5 (Steel)



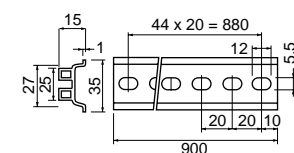
Mass: 290g

TH35-7.5AL (Aluminum)



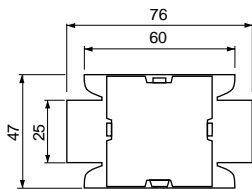
Mass: 140g

TH35-15AL (Aluminum)

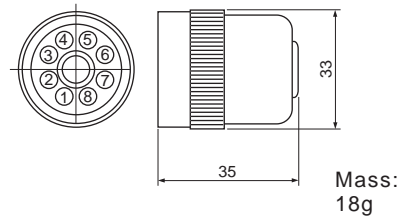


Mass: 220g

● Adaptor/Flush mounting

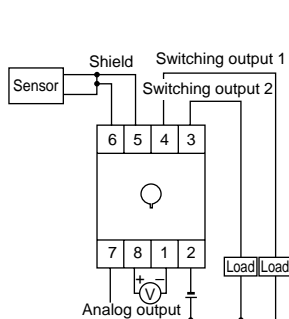


● Socket/Soldering terminal ATX1NS

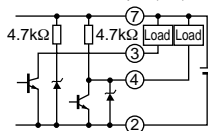


■ Wiring diagrams

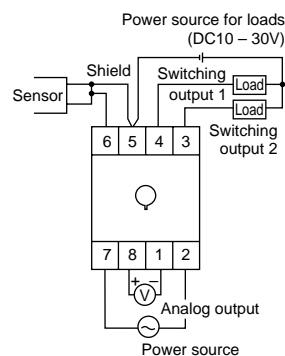
● DC



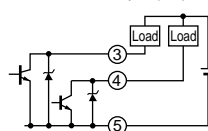
Internal circuit of output (DC)



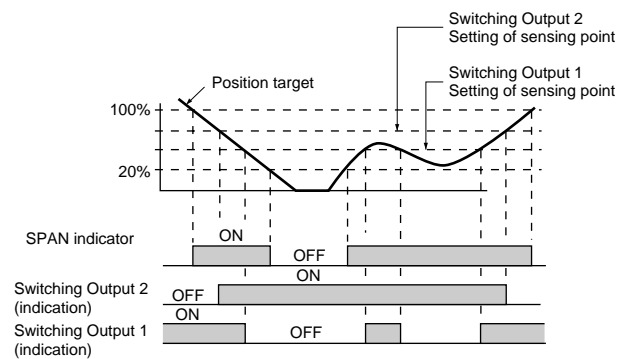
● AC



Internal circuit of output (AC)



■ Timing diagrams

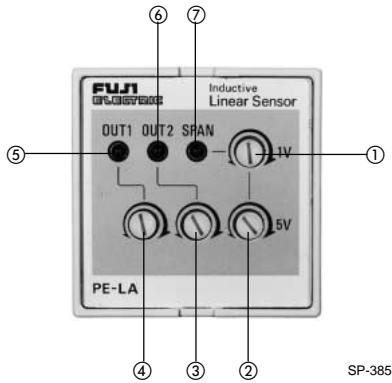


Proximity Switches

PE-L

■ Handling of the amplifier unit

● Indicators and output adjusting dial PE-LA



SP-385

① 1V adjusting dial

Used to adjust the output voltage to 1V when the standard size target is positioned at a point 1/5th of the rated operating distance.

② 5V adjusting dial

Used to adjust the output voltage 5V when the standard size target is positioned at the rated operating distance.

③ Operating distance adjusting dial (For switching output 2)

④ Operating distance adjusting dial (For switching output 1)

⑤ Operating indicator (Red)

This lamp is used to indicate the operating state of output 1. (Lights up when the output is ON. Goes out when the output is OFF)

⑥ Operating indicator (Red)

This lamp is used to indicate the operating state of output 2. (Lights up when the output is ON. Goes out when the output is OFF)

⑦ SPAN indicator (Green)

Lights up when the linear output voltage is within the range from 1 to 5 Volts.

● Adjustment of analog output

Order	1	2	3
Position of target	—	1/5th of rated operating distance 	Rated operating distance
Adjusting dial	—	1V	5V
Method of adjusting	Connect voltmeter to terminal 1 and 8	Position the standard size target to the position at a point 1/5th of the rated operating distance and turn the 1V adjusting dial clockwise slowly (to increase the output voltage) or counterclockwise so that the output voltage is 1V.	Position the standard size target to the position at the rated operating distance and turn the 5V adjusting dial clockwise slowly (to increase the output voltage) or counterclockwise so that the output voltage is 5V.
Method I			
Method II	—	Position the standard size target at a point 1/5th of the rated operating distance and turn the 1V adjusting dial counterclockwise so that the SPAN indicator goes out, and then turn it clockwise slowly until the SPAN indicator lamp lights up.	Position the standard size target to the position at the rated operating distance and turn the 5V adjusting dial clockwise slowly so that the SPAN indicator goes out, and then turn it counterclockwise until the SPAN indicator lamp lights up.

● Adjustment of sensitivity

Position of target	
Adjusting dial	
Method of adjusting	Position the standard size target in position and turn the detecting distance adjusting dial clockwise slowly until the operation indicator lights up. Move the standard size target so as to check that it operates at the specified position.

Inductive proximity switches— Cylindrical type, PE2-C

The lineup of PE2-C series proximity switches has been augmented by the addition DC 3-wire system switches with NPN and PNP transistor outputs and 2-wire system switches usable for both AC and DC applications.

These new switches are characterized by:

- A stable operating indicator composed of a two-color (red and green) LED that enables easy and reliable setting of detection range
- Smaller dimensions and longer detecting distance due to incorporation of new IC
- Four ways to configure DC 2-wire systems, DC 3-wire systems (which provide NPN and PNP transistor outputs) and two-wire systems usable for both AC and DC applications. This wide choice of configurations makes it possible to choose appropriate switch for the circuit.

The DC 2-wire system

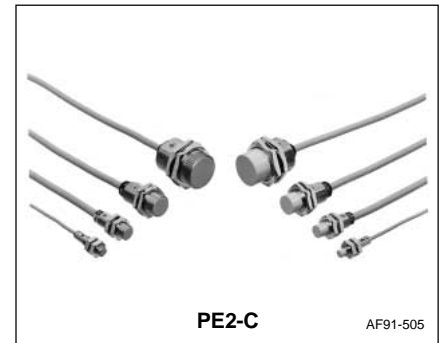
- Reduces wiring cost and labor
- Can be connected to such high impedance load as small relays, PLC, and NC equipment without risk of reset failure due to leakage currents of not exceeding 0.8mA and a residual voltage of 3V.
- Consumes very little current and places no burden on the power supply serving PLC.

Make a power supply for the sensor unnecessary.

- Enables easy connection on site to load equipment having sink- and source-current input specifications.
- Has protective circuit to protect against short-circuit, reverse polarity, and surges.

The DC 3-wire system:

- Available in 16 types of units, shielded or unshielded, of varying diameter, and providing two types of output
- Also available with PNP output transistors for European machine tool applications.

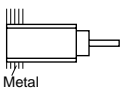
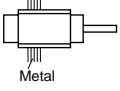


- Has the same external dimensions as the PE1 series which is not equipped with stable operating indicator.

The 2-wire system switch usable for both AC and DC applications:

- Can be operated from sources from 20 to 250V DC and 40 to 250V AC.
- Reduces wiring cost and labor.
- Is unpolarized, eliminating hazard of reverse polarity connection.

■ Specifications

Description	Operating system	Operating distance (mm)	Target size (mm) (iron)	External diameter	Response frequency (Hz)	Supply voltage	Output	Type	Ordering code
 Metal	DC supply/2-wire, current output	2	8×8×1	M8	1500	12/24V DC	3 to 100mA	1NO	PE2-CSN2S PE2S02-S
		3	12×12×1	M12	1000				PE2-CS3S PE2S03-S
		7	18×18×1	M18	500				PE2-CS7S PE2S07-S
		10	30×30×1	M30	400				PE2-CS10S PE2S10-S
	DC supply/3-wire, NPN transistor output	2	8×8×1	M8	1500	Operating voltage range 10 to 30V DC	200mA max.	1NO	PE2-CS2D PE2S02-D
		3	12×12×1	M12	1000				PE2-CS3D PE2S03-D
		7	18×18×1	M18	500				PE2-CS7D PE2S07-D
		10	30×30×1	M30	400				PE2-CS10D PE2S10-D
	DC supply/3-wire, PNP transistor output	2	8×8×1	M8	1500		200mA max.	1NO	PE2-CS2Q PE2S02-Q
		3	12×12×1	M12	1000				PE2-CS3Q PE2S03-Q
		7	18×18×1	M18	500				PE2-CS7Q PE2S07-Q
		10	30×30×1	M30	400				PE2-CS10Q PE2S10-Q
AC/DC supply/2-wire, thyristor output	3	12×12×1	M12	1000 (DC) 25 (AC)	24/48/100/200V DC 48/100/200V AC	5 to 100mA	1NO	PE2-CS3W PE2S03-W	
		18×18×1	M18	500 (DC) 25 (AC)				PE2-CS7W PE2S07-W	
		30×30×1	M30	400 (DC) 25 (AC)				PE2-CS10W PE2S10-W	
 Metal	DC supply/2-wire, current output	4	20×20×1	M8	1000	12/24V DC	3 to 100mA	1NO	PE2-C4S PE2C04-S
		8	30×30×1	M12	800				PE2-C8S PE2C08-S
		14	30×30×1	M18	400				PE2-C14S PE2C14-S
		24	60×60×1	M30	100				PE2-C24S PE2C20-S
	DC supply/3-wire, NPN transistor output	4	20×20×1	M8	1000	Operating voltage range 10 to 30V DC	200mA max.	1NO	PE2-C4D PE2C04-D
		8	30×30×1	M12	800				PE2-C8D PE2C08-D
		14	30×30×1	M18	400				PE2-C14D PE2C14-D
		24	60×60×1	M30	100				PE2-C24D PE2C24-D
	DC supply/3-wire, PNP transistor output	4	20×20×1	M8	1000		200mA max.	1NO	PE2-C4Q PE2C04-Q
		8	30×30×1	M12	800				PE2-C8Q PE2C08-Q
		14	30×30×1	M18	400				PE2-C14Q PE2C14-Q
		24	60×60×1	M30	100				PE2-C24Q PE2C24-Q

Proximity Switches

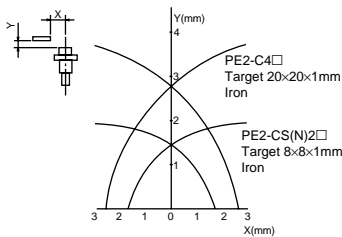
PE2-C

Specifications

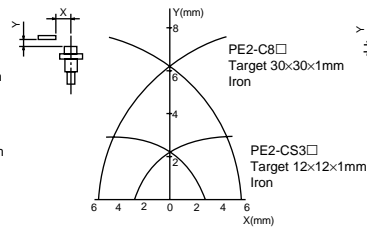
Type	PE2-C□S (DC supply/2-wire)	PE2-C□D (DC supply/3-wire)	PE2-C□Q	PE2-C□W (AC/DC supply/2-wire)
Output	Transistor output	NPN transistor, open collector output	PNP transistor, open collector output	Thyristor output
Ambient temperature	-25 to 80°C (no icing)			
Differential distance	Max. ±10% of operating distance			
Variation due to temperature fluctuation	Max. ±10% of operating distance at 20°C within a temperature range of -25 to 70°C			
Variation due to voltage fluctuation	Max. ±2% of operating distance at rated voltage when operated within ±15% of power supply voltage			
Current consumption	—	25mA max. (at 24V DC)	—	—
Leakage current	0.8mA max. (at 24V DC)	—	—	0.8mA max. (at 24V DC), 1.3mA max. (at 240V AC)
Residual voltage	3V max. (at 100mA)	1.5V max. (at 24V DC, 200mA)	—	6V max. (DC), 10V max. (AC)
Dielectric strength	1000V AC, 1 minute			
Insulation resistance	50MΩ or more (500V DC megger)			
Degree of protection	IP67 (IEC Standards)			
Vibration	10–55Hz, 1.5mm double amplitude (in X, Y, Z direction respectively for 2 hours)			
Shock	500m/s ²			
Circuit protection	Short-circuit, reverse polarity, surge voltage			Surge voltage

Response curve for iron (Typical)

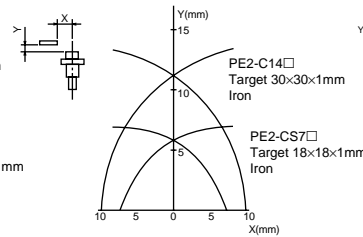
PE2-CS(N)2□
PE2-C4□



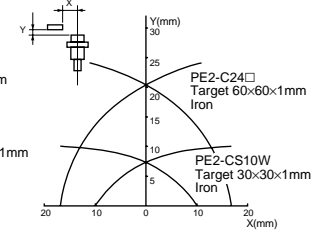
PE2-CS3□
PE2-C8□



PE2-CS7□
PE2-C14□

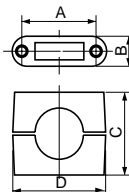


PE2-CS10W
PE2-C24□

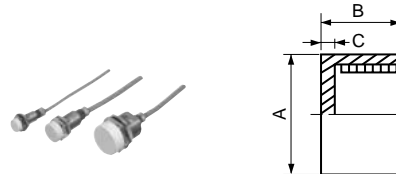


Accessories (optional)

● Mounting bracket



● Sensor surface cover



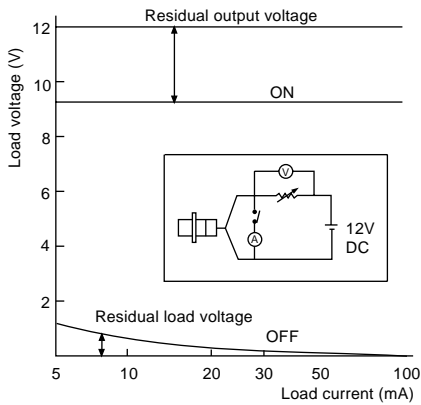
KK02-301A

Type (Ordering code)	A (mm)	B (mm)	C (mm)	D (mm)	Screw	Used with
PX1-P8 (PE1Z0037)	18	10	18	28	M4×20	PE2-CS(N)2□ PE2-C4□
PX1-P12 (PE1Z0033)	24	12.5	20	37	M4×25	PE2-CS3□ PE2-C8□
PX1-P18 (PE1Z0034)	32	17	30	47	M5×32	PE2-CS7□ PE2-C14□
PX1-P30 (PE1Z0035)	45	17	50	60	M5×50	PE2-CS10W PE2-C24□

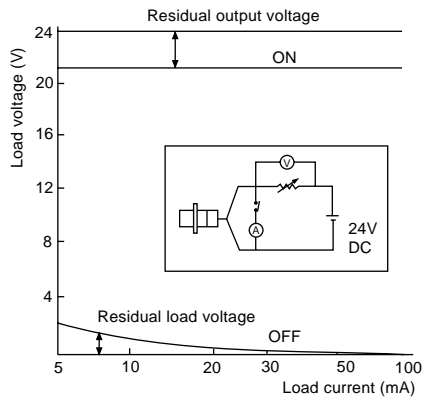
Type (Ordering code)	A (mm)	B (mm)	C (mm)	Used with
PX1-C12S (PE1Z0030)	φ15	5	0.6	PE2-CS3□
PX1-C18S (PE1Z0031)	φ22.5	8	1.1	PE2-CS7□
PX1-C30S (PE1Z0032)	φ35	12	1.6	PE2-CS10W

■ Residual voltage characteristics

PE2-CS□S, C□S, 12V DC

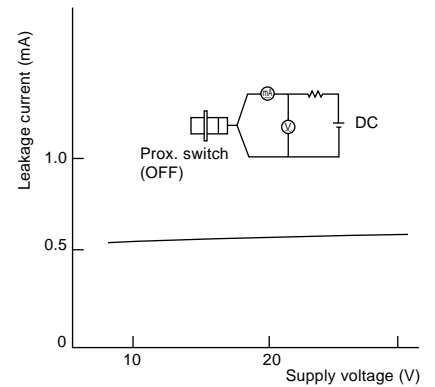


PE2-CS□S, C□S, 24V DC

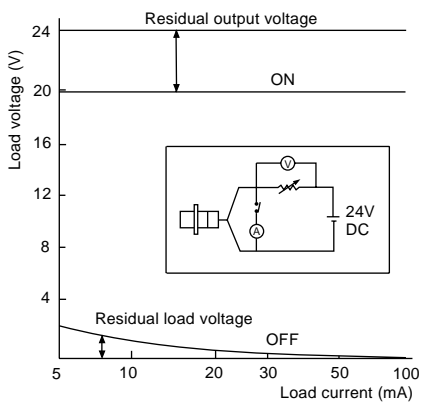


■ Leakage current characteristics

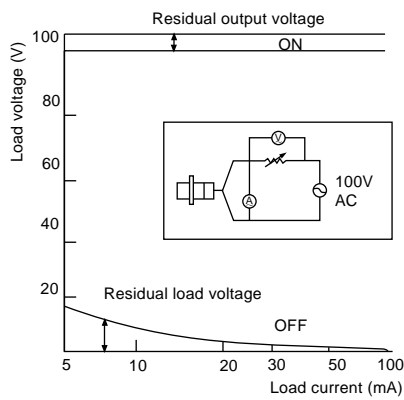
PE2-CS□S, C□S



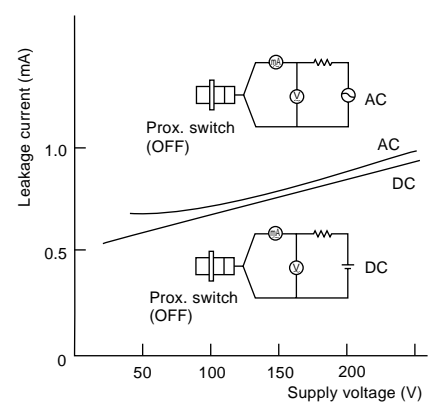
PE2-CS□W, 24V DC



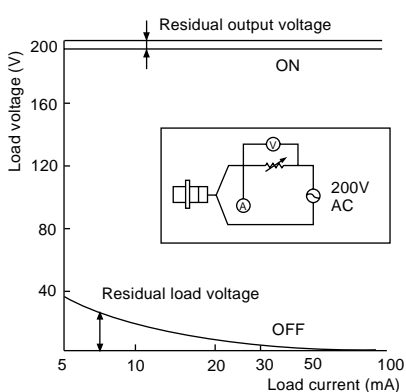
PE2-CS□W, 100V AC



PE2-CS□W



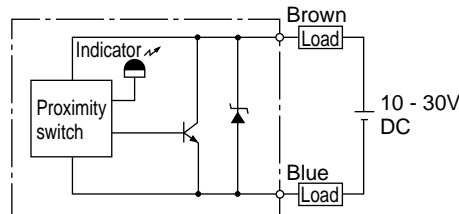
PE2-CS□W, 200V AC



■ Wiring diagrams

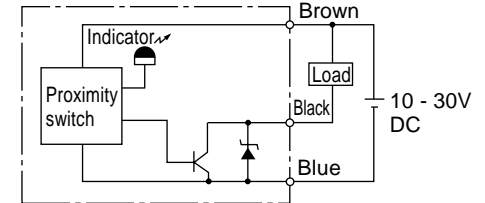
● DC supply/2-wire system

PE-C□S



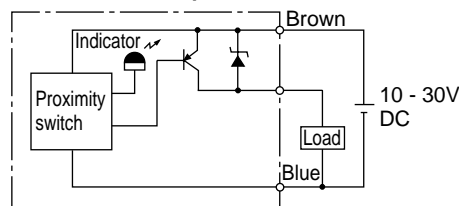
● DC supply/3-wire system

PE2-C□N NPN output



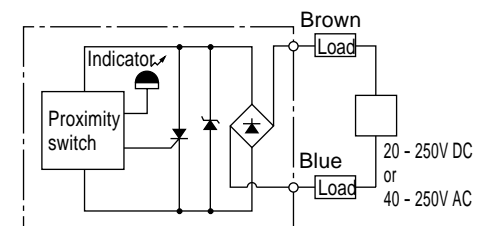
● DC supply/3-wire system

PE2-C□P PNP output



● AC/DC supply/2-wire system

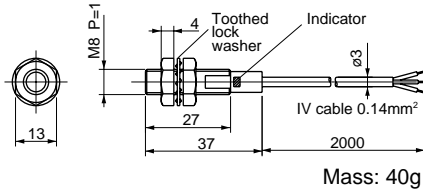
PE2-C□W



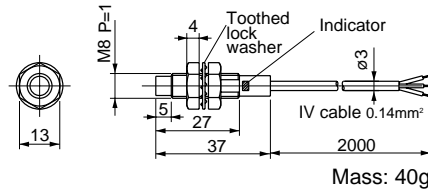
Proximity Switches PE2-C

■ Dimensions, mm

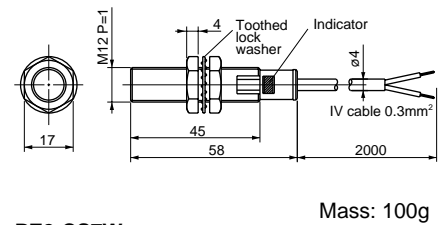
PE2-CSN2S, PE2-CS2□



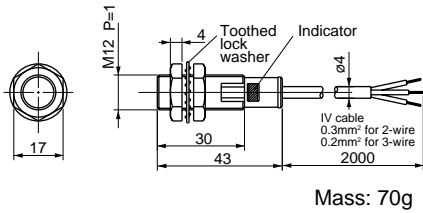
PE2-C4□



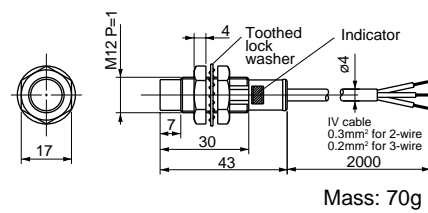
PE2-CS3W



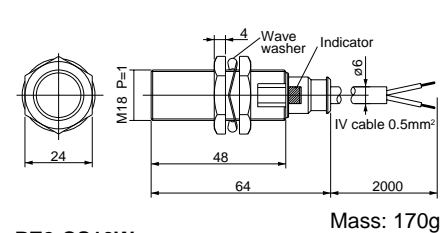
PE2-CS3□



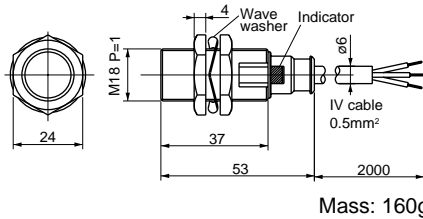
PE2-C8□



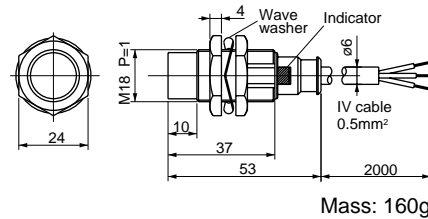
PE2-CS7W



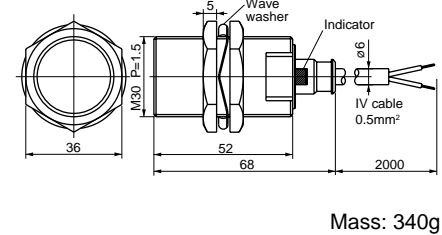
PE2-CS7□



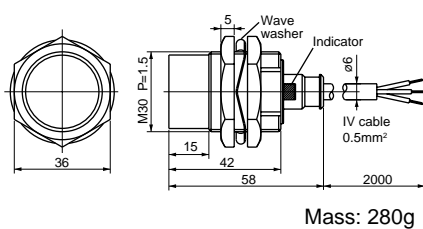
PE2-C14□



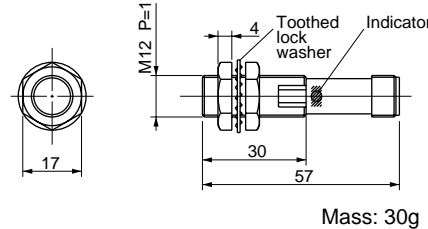
PE2-CS10W



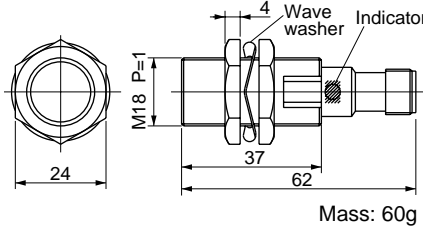
PE2-C24□



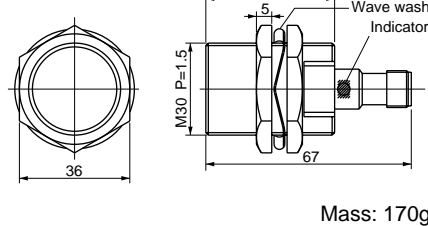
PE2-CS3S



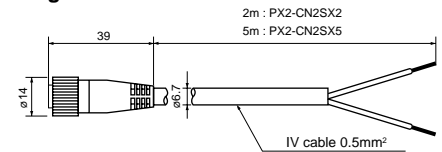
PE2-CS7S



PE2-CS10S



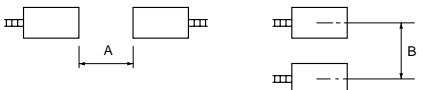
Plug for connector



Note: A mark band is attached when the oscillation frequency differs from that of standard products.

■ Mutual interference:

Be sure to space two switches at a distance greater than that shown in the table at right to prevent mutual interference.



Type	A (mm)	B (mm)
PE2-CS(N)2□	20	15
PE2-CS3□	30 (15)	20 (12)
PE2-CS7□	50 (25)	35 (18)
PE2-CS10W	100 (50)	70 (35)
PE2-C4□	80	60
PE2-C8□	120 (60)	80 (40)
PE2-C14□	200 (100)	120 (60)
PE2-C24□	350 (175)	250 (125)

Note: The values in parentheses are applicable when using two switches with oscillation frequencies different from each other.

■ Ordering information

Specify the following:

1. Type number or ordering code

Inductive proximity switches—Flat type, PE-X3D

Easy-to-mount thin inductive type proximity switches

Operating system:
DC supply/3-wire system
Operating distance: 3mm

■ Features

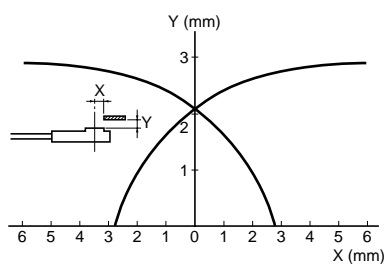
- A mere 7mm height
- Only two screws are needed to affix each switch, eliminating the need for exclusive mounting brackets
- Incorporates a stable operating level indicator
- Equipped with surge suppression circuits and protection circuits against reverse polarity

■ Specifications

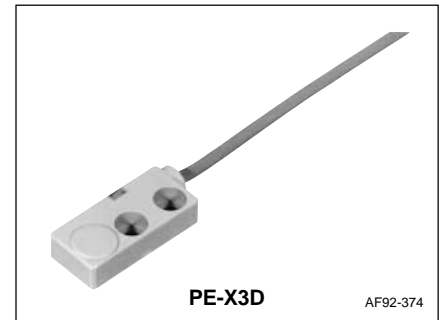
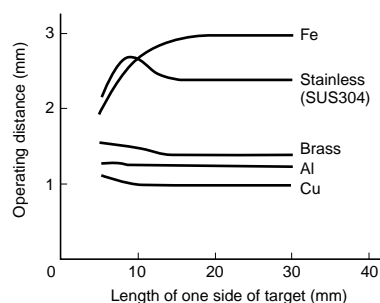
Type (Ordering code)	PE-X3D (PE1X03-D)
Operating system	DC supply/3-wire
Output	NPN transistor, current output, 1NO
Operating distance	3mm ±10%
Target size	12 × 12 × 1mm (iron)
Differential distance	Max. ±10% of operating distance
Power supply voltage	12/24V DC
Operating voltage range	10 to 30V DC
Current consumption	15mA max. at 24V DC
Switching capacity	100mA max.
Residual voltage	1.5V max. at 24V DC 100mA
Response frequency	50Hz or more
Ambient temperature	−25 to +70°C (no icing)
Humidity	35 to 95% RH
Circuit protection	Surge voltage, reverse polarity
Variation due to temperature fluctuation	Max. ±10% of operating distance at 20°C within temperature range of −25 to +70°C
Variation due to voltage fluctuation	Max. ±1% of operating distance at 12/24V DC when operated within 85% to 115% of power supply voltage
Dielectric strength	1000V AC, 1 min.
Insulation resistance	50MΩ (500V DC)
Degree of protection	IP66 (IEC Standard)
Vibration	10–55Hz, 1.5mm double amplitude
Shock	500m/s ²

■ Response curve for iron

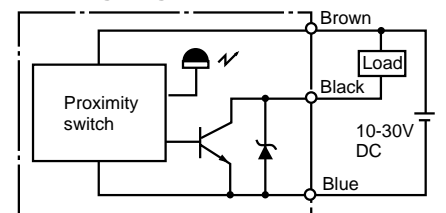
Target 12 x 12 x 1 mm, Iron



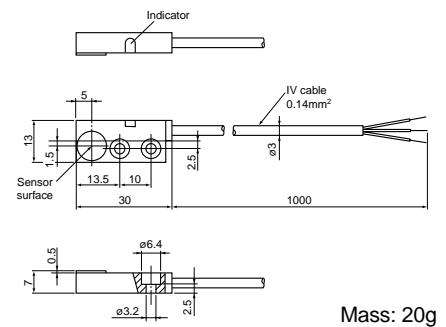
■ Material of target—Operating distance



■ Wiring diagram

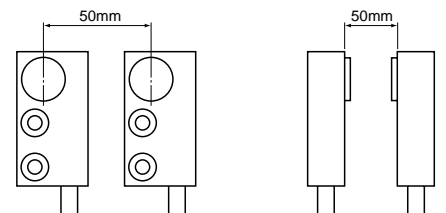


■ Dimensions, mm



■ Mutual interference

Be sure to space two switches at a distance greater than that shown in the figure below to prevent mutual interference.



■ Ordering information

Specify the following:
1. Type number or ordering code

Proximity Switches

PE-G4D

Inductive proximity switches— Square type, PE-G4D

Operating system:
DC supply/3-wire system
Supply voltage range: 10 to 30V DC
Operating distance: 4mm

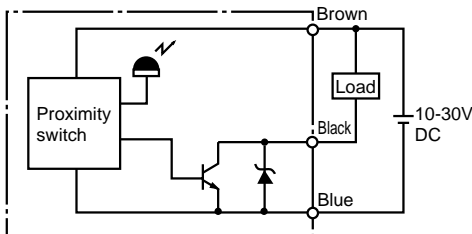
■ Features

- Degree of protection meets the requirements of IEC IP67, thus permitting operations in unfavorable environment.
- Only two screws are needed to affix each switch, eliminating the need for exclusive mounting brackets.
- Incorporates surge suppression circuits and protection circuits against reverse polarity and short-circuits.

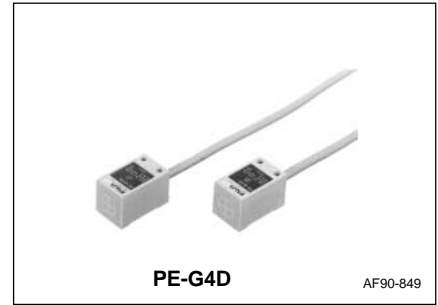
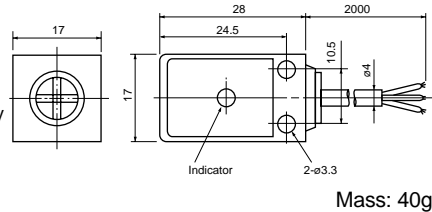
■ Specifications

Type (Ordering code)	PE-G4D (PE1G04-D)
Operating system	DC supply/3-wire
Output	1NO
Operating distance	4mm ±10%
Target size (iron)	20×20×1mm
Differential distance	Max. ±10% of operating distance
Rated voltage	12/24V DC (10 to 30V DC)
Switching capacity	50mA max.
Current consumption	15mA max. at 24V DC
Residual voltage	1.5V max. at 50mA
Response frequency	200Hz
Variation due to voltage fluctuation	Max. ±1% of operating distance at 12/24V DC when operated within 10 to 30V DC
Variation due to temperature fluctuation	Max. ±10% of operating distance at 20°C within temperature range of -25 to +70°C
Dielectric strength	2000V AC, 1min.
Insulation resistance	50MΩ or more (500V DC)
Degree of protection	IP67 (IEC)
Ambient temperature	-25 to +70°C (no icing)
Humidity	35 to 95% RH
Vibration	10–55Hz, 1.5mm double amplitude
Shock	500m/s ²

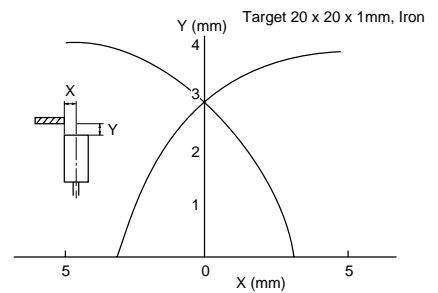
■ Wiring diagrams



■ Dimensions, mm

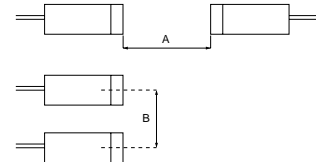


■ Response curve for iron



■ Mutual interference

Be sure to space two switches at a distance greater than that shown in the figure below to prevent mutual interference.



Type	A (mm)	B (mm)
PE-G4D	60	60

■ Ordering information

Specify the following:
1. Type number or ordering code

Magnetically operated reed switches, PM Standard type

Operating distance: Maximum 35, 70, 120mm
 Reed switch: 1NO, 2 Amps

■ Features

- Power source not required
- Comprises sensing magnetic element and reed switch
- Resin molded construction
- Water- and dust-tight, shock-resistant
- Breaking capacity: 0.5Amps at 220V AC
- Operating distance is longer than oscillating type.
- Economically priced
- 1 meter color-coded lead wires

■ Ordering information

Specify the following:

1. Type number or ordering code (Specify reed switch and magnet separately.)



■ Specifications

Magnet (standard type)

Type	PM-2M	PM-4M	PM-10M
Operating distance	25 – 40mm	50 – 70mm	80 – 120mm
Differential	5 – 15mm	5 – 20mm	15 – 40mm
Ambient temperature	-10° to +65°C	-10° to +65°C	-10° to +65°C

Magnet (High temperature using type)

Type	PM-2MH	PM-4MH	PM-10MH
Operating distance	25 – 40mm	40 – 70mm	100 – 140mm
Differential	5 – 15mm	5 – 20mm	15 – 40mm
Ambient temperature	-20° to +130°C	-20° to +130°C	-20° to +130°C

PM2S, PM-2SH read switches

Rated operating voltage: 220V AC, DC (Max.)

Rated operating current: 0.5A (Max.)

Make and break capacity: 50W DC, 50VA AC (Max.)

Mechanical: durability 100 million operations

Electrical: 2 million operations at 200V AC 0.125A

1.4 million operations at 100V AC 0.25A

Insulation resistance: Over 100MΩ at 500V DC

Dielectric strength: 700V AC rms. 1 minute (Contact to contact)

Ambient temperature: -10 to +65°C (For 130°C use is also available)

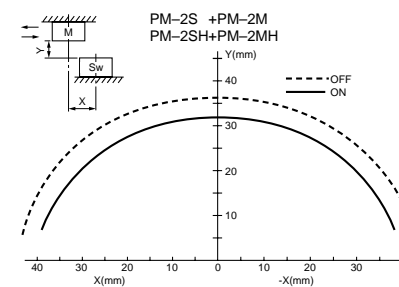
1 meter lead wires are normally provided.

■ Response curves, typical

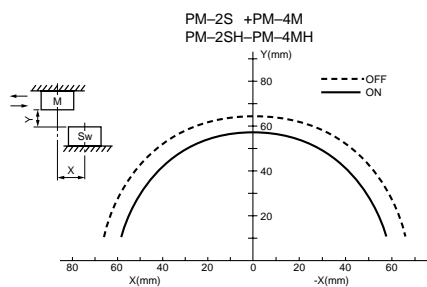
Short axis

M: Magnet

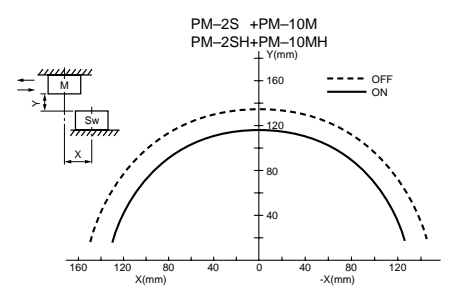
Sw: Reed switch



PM-2S



PM-2S

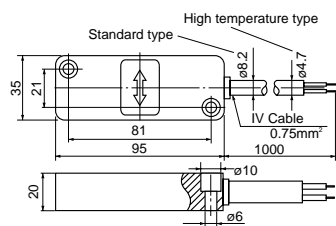


PM-2S

■ Dimensions, mm

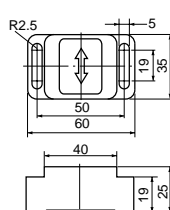
PM-2S Mass: 210g

PM-2SH



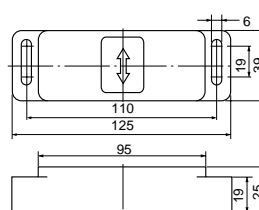
PM-2M Mass: 170g

PM-2MH



PM-4M Mass: 440g

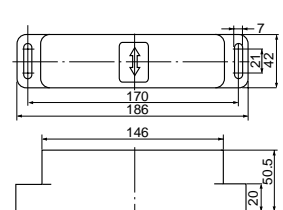
PM-4MH



PM-10M

PM-10MH

Mass: 1300g



Notes: • Reed switch and magnetic element are mounted on anti-magnetic material. The operating distance will be decreased when mounted on magnetized materials.

• Both reed switch and magnetic element cannot be used in over 5-gauss magnetic fields.

Fuji Electric FA Components & Systems Co., Ltd./D & C Catalog

Information subject to change without notice

Proximity Switches

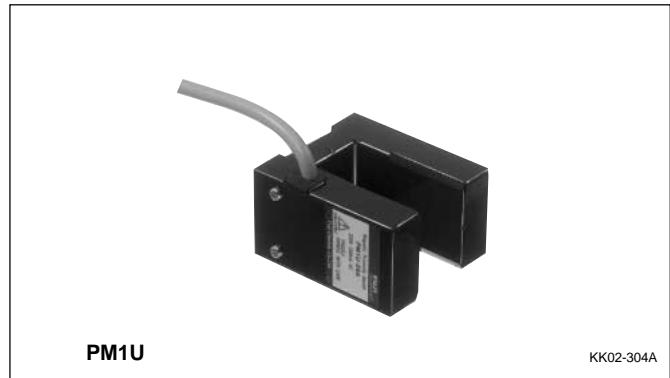
Magnetically operated reed switches - slot type

PM1U

Magnetically operated reed switches—Slot type PM1U

■ Features

- Stable switch operation is ensured by inserting the object for detection 35mm into the switch slot. Ideal for detecting the position of a ferromagnetic-material plate passing in the switch slot.
- Magnetically operated switch using a sealed contact is never affected by electrical noise, ensuring highly reliable detection.
- The built-in permanent magnet enables switching of both AC and DC signals without using a power supply.
- Models with an output indicator are also available.
- Our advanced design assures superior environmental protection complying with IP67 (IEC).



■ Ordering information

Specify the following:

1. Type number (ordering code)

■ Specifications

Operating slot width	Detecting distance*	Hysteresis	Contact arrangement	Output indicator	Type (=Ordering code)	Measurement conditions for an operating position and hysteresis
25mm	+4 ±6mm	10mm (Max.)	1NO (ON: Detected)	Not provided	PM1U-25ALF	
				Provided	PM1U-25ALF2	
	-4 ±6mm	7mm (Max.)	1NC (OFF: Detected)	Not provided	PM1U25BLF	
				Provided	PM1U-25BLF2	

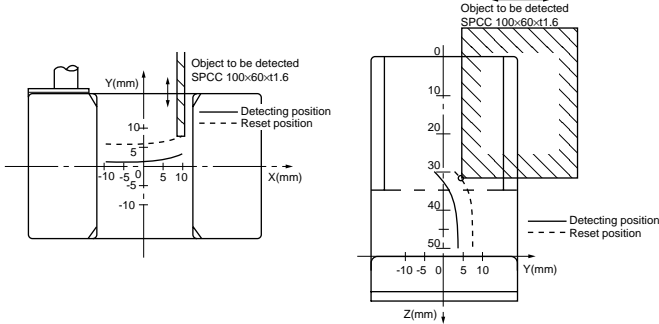
Note *: The detecting distance and hysteresis are defined in the standard detecting conditions shown above.

Type	PM1U-25ALF	PM1U-25ALF2	PM1U-25BLF	PM1U-25BLF2
Output indicator	Not provided	Provided	Not provided	Provided
Operating slot width	25mm			
Object insertion length	35mm (Min.)			
Rated operating voltage	220V AC, DC (Max.)			
Rated operating current	0.2A (Max.)			
Make and break current	0.2A (Max.)			
OFF → ON response time	2ms (Max.)			
ON → OFF response time	0.5ms (Max.)			
Life expectancy (Mechanical)	1×10 ⁷ operations (Min.)			
Life expectancy (Electrical)	2×10 ⁶ operations (Min.) Load: Miniature control relay HH54P 220V AC/7mA			
	3×10 ⁶ operations (Min.) Load: Miniature control relay HH54P 100V AC/14mA			
	2×10 ⁶ operations (Min.) Load: Resistance (24V DC/0.2A)			
	1×10 ⁷ operations (Min.) Load: Resistance (12V DC/0.2A)			
Ambient temperature	-10 to +65°C			
Humidity	45 to 95%HR			
Vibration resistance	10 to 55Hz, 1.5mm peak-to-peak amplitude, 2-hour for each of X, Y, and Z axes			
Shock resistance	300m/s ² , three-time for each of X, Y, and Z axis			
Output resistance at ON	6Ω (Max.)	—	6Ω (Max.)	—
Switch residual voltage at ON	—	4V (Max.)	—	4V (Max.)
Insulation resistance	100MΩ (Min.)			
Degree of protection	IP67 (IEC standard)			
Maximum signal cable length	300m			

Note: The LED indicator becomes dark when the load current is 10mA or less. (Switches with an output indicator)
1 meter lead wire is provided.

Object detection area (Examples)

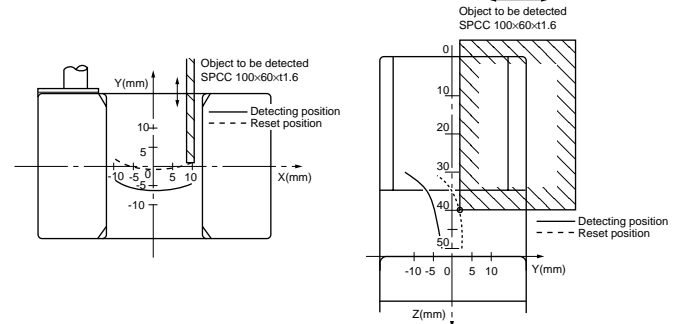
PM1U-25A



Note: The X - Y characteristics are symmetrical to the X axis.

Note: The Y - Z characteristics are symmetrical to the Z axis.

PM1U-25B

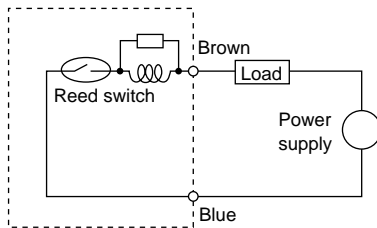


Note: The X - Y characteristics are symmetrical to the X axis.

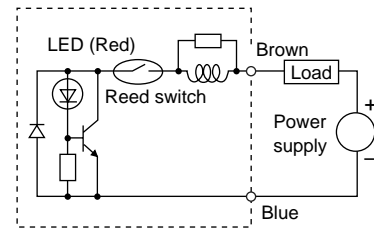
Note: The Y - Z characteristics are symmetrical to the Z axis.

Wiring diagrams

Switch with no output indicators



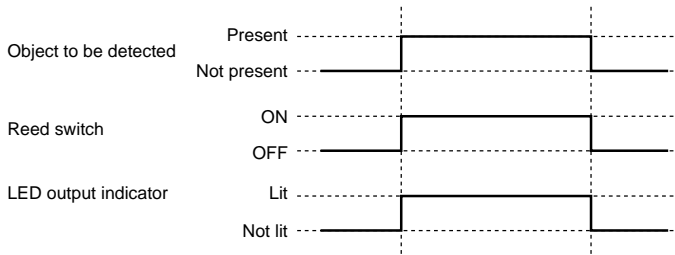
Switch with an output indicator



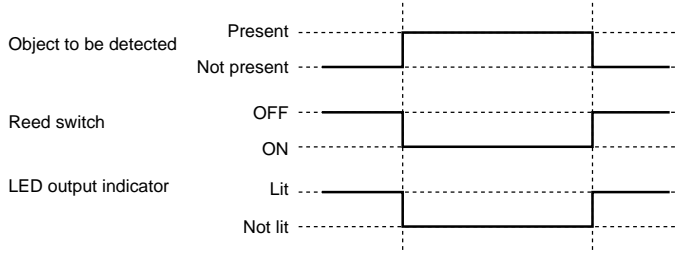
Note: When using a DC power supply, connect the brown terminal to (+) and blue terminal to (0V). Otherwise, the indicator will not go on.

Operation chart

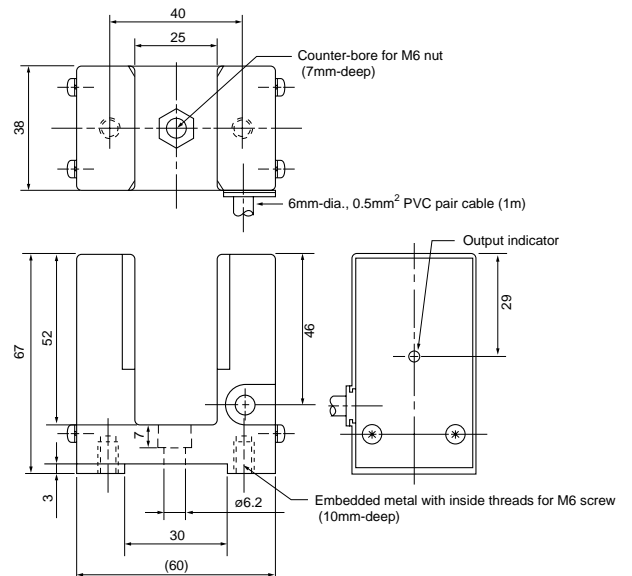
PM1U-25A



PM1U-25B



Dimensions, mm



Proximity Switches

Magnetically operated reed switches

AES

Magnetically operated reed switches AES

Small size

Operating distance: Max. 20, 27mm

Reed switch: 1NO

Rated thermal current: 2.5A (AES402)
2.5A (AES502)

■ Features

- Power source is not required.
AES402 is small size, soldering terminal.
- AES502 is provided with lead wire.
- Epoxy resin molded, shock-resistant.
- Make and break capacity:
Max. 50VA, 50W (AES402)
Max. 50VA, 50W (AES502)
- Operating voltage:
Max. 220V AC, DC (AES402)
Max. 220V AC, DC (AES502)

■ Ordering information

Specify the following:

1. Type number or ordering code



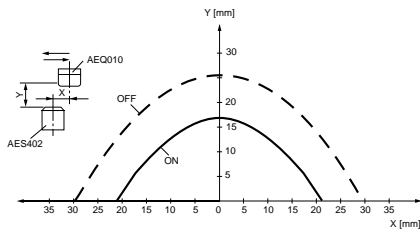
■ Specifications

Type	Contact Magnet	AES402B-1A AEQ010-1A	AES502L-3A AEQ020-1T
Ordering code	Contact Magnet	PM2B PM34	PM2D PM35
Contact		1NO	
Operating distance	Differential	14–20mm 1–12mm	20–27mm 1–14mm
Repeat accuracy		0.5mm or less	
Ambient temperature		–20°C to +80°C	
Dielectric strength	Between open contacts Terminal to ground	700V AC, 1 min. 1500V AC, 1 min.	350V AC, 1 min. 1500V AC, 1 min.
Insulation resistance		100MΩ or more at 500V DC	100MΩ or more at 500V DC
Life expectancy	Mechanical	10 million operations	
	Electrical	2 million operations at 100V AC 3.3VA	2 million operations at 100V AC 3.3VA

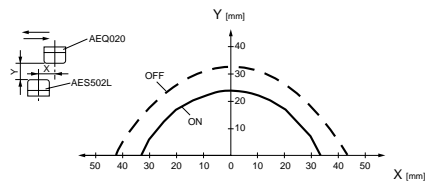
■ Response curves

Short axis

Contact: AES402B-1A
Magnet AEQ010-1A

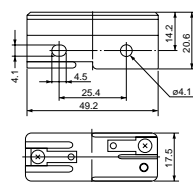


Contact: AES502L-3A
Magnet AEQ020-1T

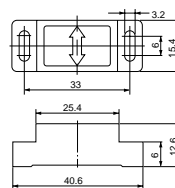


■ Dimensions, mm

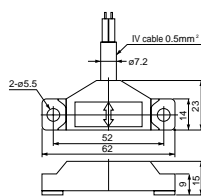
AES402B-1A



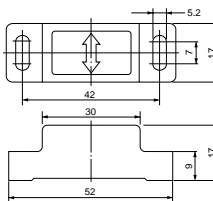
AEQ010-1A



AES502L-3A



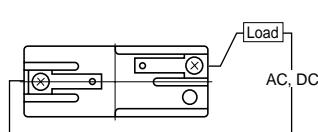
AEQ020-1T



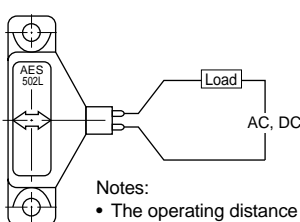
Mass:
AES402B-1A: 20g
AES502L-3A: 85g
AEQ010-1A: 20g
AEQ020-1T: 25g

■ Wiring

AES402B-1A



AES502L-3A



Notes:

- The operating distance will be decreased when mounted on ferromagnetic material such as iron.
- Both reed switch and magnetic elements can not be used in over 5-Gauss magnetic fields.

Magnetically operated reed switches AER

Operating distance: 4.0–5.5mm (at 1NO)
 Reed switch: 1NO or 1NC
 Rated thermal current: 2.5A

■ Features

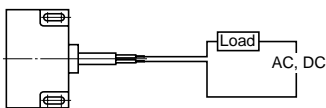
- Sensing magnetic element and reed switch element are integrated in an epoxy molded housing.
- Power source is not required.
- Travelling direction of the metal object is not limited.
- Make and break capacity:
Max. 50VA AC, 50W DC
- Operating voltage: Max. 220V AC, DC
- Water- and dust-tight

■ Specifications

Type (Ordering code)	AER201L-1A (PM1A)	AER211L-1A (PM1B)	
Contact arrangement	1NO	1NC	
Rated voltage AC, DC	220 max.	220V max.	
Rated thermal current	2.5A	2.5A	
Make and break current	Max. 0.5A AC, DC	Max. 0.5A AC, DC	
Operating distance	4.0–5.5mm	3.5–5.0mm	
Differential	1–5.5mm	1–5.5mm	
Repeat accuracy	Less than 0.5mm	Less than 0.5mm	
Ambient temperature	–20° to +80°C	–20° to +80°C	
Dielectric strength	350V AC rms. 1 minute (Between open contacts) 1500V AC rms. 1 minute (Terminal to ground)		
Insulation resistance	Over 100MΩ at 500V DC		
Life expectancy	Mechanical	10 million operations	
		Electrical	2 million operations at 100V AC 3.3VA (Inductive) 2 million operations at 100V DC 1.6W (Inductive) 10 million operations at 12V DC 6W (Resistive)

- Notes:
- 1 meter lead wires are normally provided.
 - The standard detected object is iron plate of 50 × 50 × 2 (mm). If the object is smaller, the operating distance is reduced.

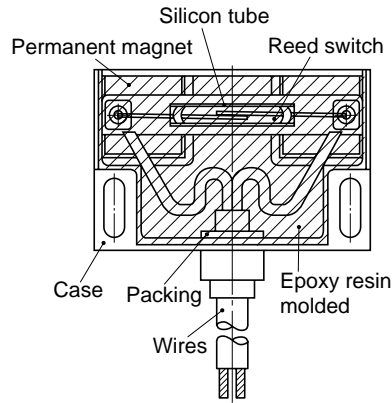
■ Wiring



■ Ordering information

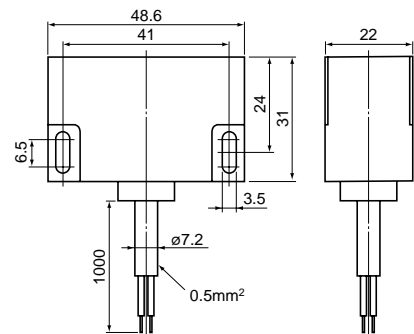
- Specify the following:
 1. Type number or ordering code

■ Construction



- Notes:
- The operating distance will be decreased when mounted on ferromagnetic material such as iron.
 - This switch cannot be used in over 5-Gauss magnetic fields.
 - Keep a distance of over 100mm from other limit switches.

■ Dimensions, mm

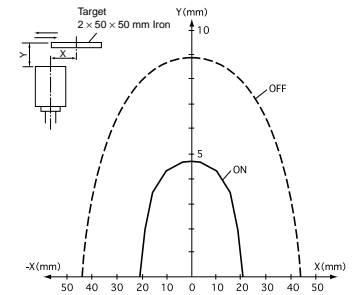


Mass: 100g

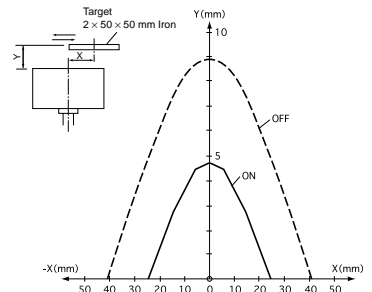


■ Response curves

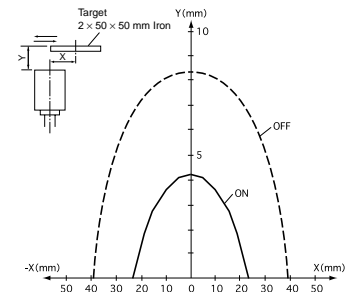
AER20 Short axis



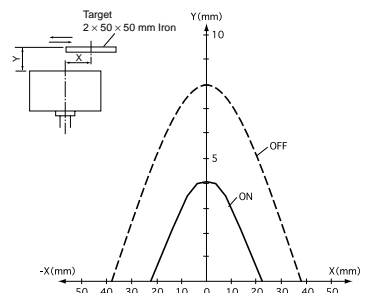
AER20 Long axis



AER21 Short axis




AER21 Long axis



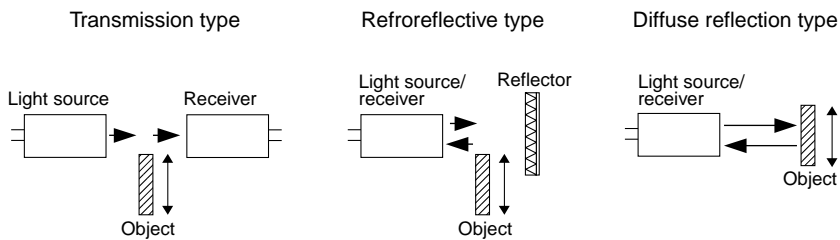
Photoelectric Switches



General information

Selection guide

Basic type	PH1C	
Photo	 <p style="text-align: center;">XX03-013A</p>	
Description	Highly compact photoelectric switch with dimensions of 10.8x31x20mm. Energy saving design with long-distance detection and a built-in amplifier. Meets CE Mark requirements.	
Detecting method	Transmission type Retroreflective type Diffuse reflection type	
Operation mode	Dark-ON/Light-ON selectable	
Special function	–	
Supply voltage	12 to 24VDC \pm 10% (ripple \pm 10% or less)	
Output configuration	Detecting: NPN transistor, open collector output	
Output (switching capacity)	100mA max.	
Detectable object (material)	Transparent, opaque	
Detecting distance	1m, 3m, 4m, 10m	
Response time	1ms	
Ambient temperature	Operation: -25 to $+55^{\circ}\text{C}$ Storage: -40 to $+70^{\circ}\text{C}$	
Degree of protection	IP67 (IEC)	
Page	05/56	

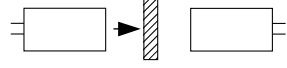
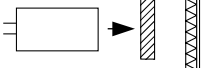
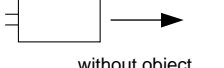
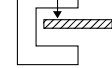

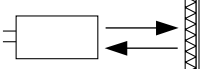

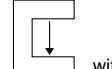
■ Detecting method



Basic type	PH4C	PH8AU
Photo	 <small>XX03-002A</small>	 <small>KK02-303A</small>
Description	AC/DC dual supply voltage. Highly compact with dimensions of 18 x 50 x 50mm. Retroreflective type equipped with mirror surface rejection function	Slot-type photoelectric switches ideal for conveyor applications, such as elevators and multi-level parking lifts. Same mounting method as our slot-type magnetically operated reed switches (type PM1U).
Detecting method	Transmission type Retroreflective type Diffuse reflection type	Slot type
Operation mode	Dark-ON or Light-ON	Dark-ON or Light-ON
Special function	–	–
Supply voltage	24 to 240V AC±10% 12 to 240V DC±10% (ripple ±10% or less)	10 to 30V DC
Output configuration	Relay output	NPN transistor, open collector output
Output (switching capacity)	3A max. (250V AC res. load) 10mA max. (5V DC)	–
Detectable object (material)	Transparent, opaque	Opaque
Detecting distance	30cm, 2.5m, 3.5m, 4m, 5m	30mm
Response time	30ms max.	1ms or less
Ambient temperature	Operation: –25 to +55°C Storage: –30 to +70°C	Operation: –25 to +55°C Storage: –30 to +70°C
Degree of protection	IP64 (IEC)	IP66 (IEC)
Page	05/61	05/65

05

■ Operation mode

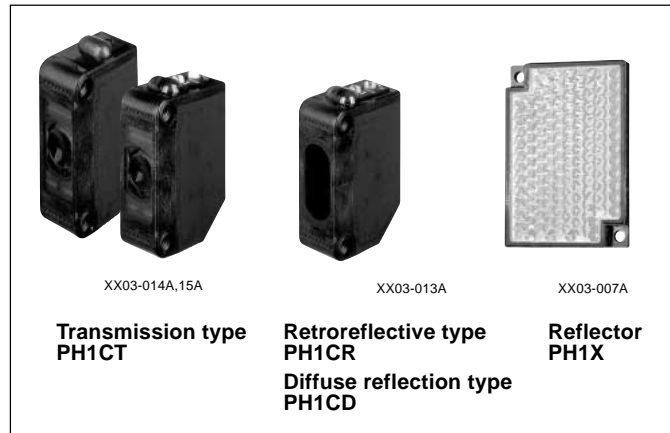
	Transmission type	Retroreflective type	Diffuse reflection type	Slot type
Dark-ON (operates when light is interrupted)			 without object	
Light-ON (operates when light is incident)			 with object	 without object

Photoelectric Switches PH1C

Photoelectric switches with built-in amplifier PH1C

■ Features

- Highly compact with dimensions of 10.8 x 31 x 20mm
- Energy-saving design
- Covers a wide range of detection with distances of 10m (transmission type), 3 or 4m (retroreflective type), or 1m (diffuse reflection type)
- Retroreflective type equipped with mirror surface rejection function
- High-speed response time of 1ms
- Light-ON/Dark-ON selectable with operation mode switch
- Equipped with various protective functions
- High degree of protection of IP67 (IEC) enables use even in environments where exposure to water is possible.
- Improved alignment ($\pm 2.5^\circ$) of optical and mechanical axes simplifies adjustment (transmission type, retroreflective type)
- Environment-friendly lead-free solder used
- Meets CE Mark requirements.



■ Types

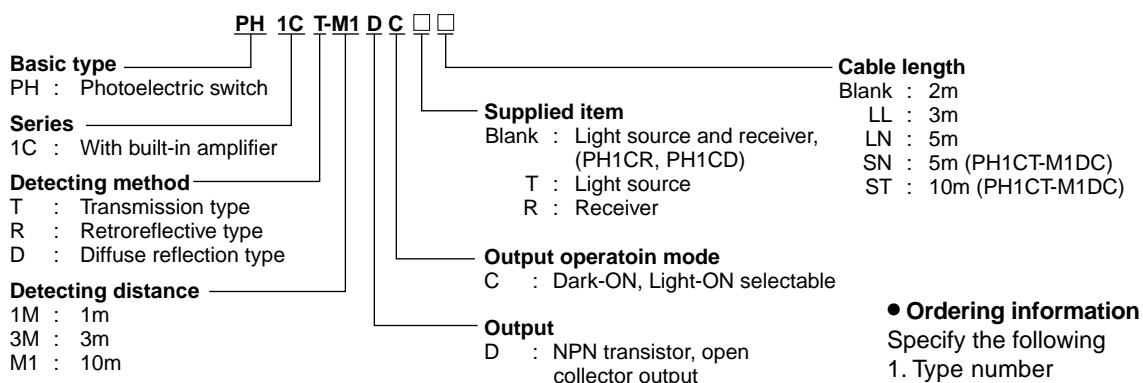
Detecting method	Detecting distance	Light emitting element	Output	Output operation mode	Type	Supplied item	
							Cable length
Transmission type 	10m	Red LED	NPN transistor, open collector output	Dark-ON / Light-ON selectable	PH1CT-M1DC	Light source and receiver	2m
					PH1CT-M1DCSN		5m
					PH1CT-M1DCST		10m
					PH1CT-M1DCR	Receiver	2m
					PH1CT-M1DCRLN		5m
					PH1CT-M1DCT	Light source	2m
PH1CT-M1DCTLN	5m						
Retroreflective type (with mirror surface rejection) 	0.1 to 3m (using PH1X-R1) 0.1 to 4m (using PH1X-R1S)	Red LED			PH1CR-3MDC	Light source/receiver	2m
					PH1CR-3MDCLN		5m
Diffuse reflection type 	1m	Infrared LED			PH1CD-1MDC	Light source/receiver	2m
					PH1CD-1MDCLL		3m

■ Ratings and specifications

Detection method	Transmission type	Retroreflective type (with mirror surface rejection)	Diffuse reflection type
Type	PH1CT-M1DC	PH1CR-3MDC	PH1CD-1MDC
Light emitting element	Red LED		Infrared LED
Supply voltage	12 to 24V DC ±10% (ripple ±10% or less)		
Current consumption	Light source: 15mA, Receiver: 20mA	30mA max.	
Detecting distance	10m	0.1 to 3m (using PH1X-R1) 0.1 to 4m (using PH1X-R1S)	1m (white mat paper 30 x 30cm)
Detectable target	Opaque 12mm dia. min.	Opaque 75mm dia. min.	Transparent or opaque
Directional angle	Light source and receiver: 3 to 15° each	Light source/receiver: 2 to 10°, Reflector: 30°	–
Differential	–		Max. 20% of detecting distance
Detecting output	NPN transistor, open collector output Load current: 100mA max. (26.4V DC) Residual voltage: 1V DC max. at load current less than 10mA 2V DC max. at load current of 10 to 100mA		
Output operation mode	Dark-ON / Light-ON selectable		
Response time	1ms max. (operation/reset)		
Indicator	Operation indicator	Orange LED (Light source: power supply indicator)	Orange LED
	Stability level indicator	Green LED (Receiver)	Green LED
Connection	Attached cable (2m, 0.2mm ²)		
Sensitivity adjustment	Dial		
Ambient operating illumination	Incandescent lamp: 3000 lx max. (at receiving surface) Sunlight: 10000 lx max. (at receiving surface)		
Ambient temperature	Operating: –25 to +55°C (no icing), storage: –40 to +70°C		
Ambient humidity	Operating: 35 to 85%RH (no condensation), storage: 35 to 95%RH		
Degree of protection	IP67 (IEC)		
Protective function	Reverse polarity (input), short-circuit and reverse polarity (output)	Reverse polarity (input), short-circuit, reverse polarity (output) and mutual interference	
Insulation resistance	20MΩ (500V DC megger)		
Dielectric strength	1,000V AC for 1min		
Vibration	10 to 55Hz, 1.5mm double amplitude or 300m/s ² (2 hours for each X, Y, Z direction)		
Shock	500m/s ² (3 times for each X, Y, Z direction)		
Material	Casing	Polybutylene terephthalate resin (PBT)	
	Lens	Polyarylate resin (PAR)	Methacrylic resin (PMMA)
Mass	Approx. 120g	Approx. 65g	Approx. 65g
Accessory (option)	Mounting bracket (PH1X-P1, PH1X-P2)		

Note : Reflectors PH1X-R1 and R1S (for retroreflective type PH1CR use) are sold separately.

■ Type number nomenclature

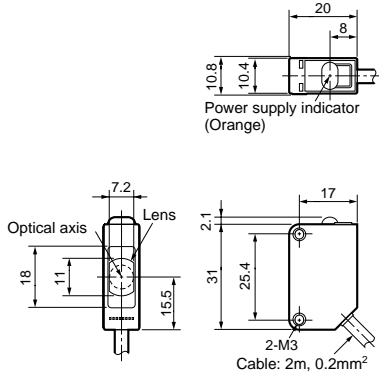


Photoelectric Switches PH1C

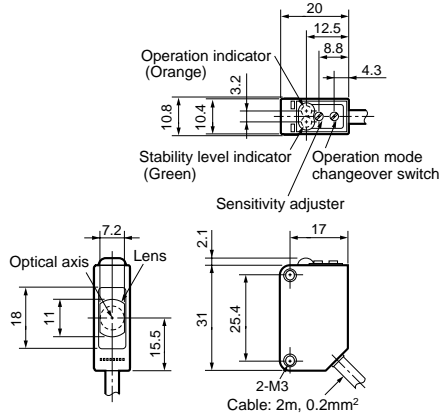
■ Dimensions, mm

● PH1CT-M1DC

Light source

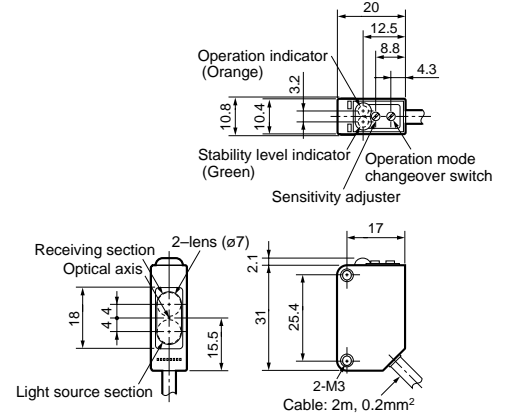


Receiver



● PH1CR-3MDC, PH1CD-1MDC

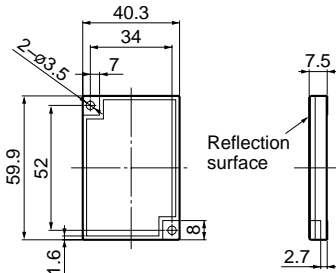
Light source/receiver



■ Dimensions, mm (sold separately)

● Reflector

PH1X-R1, PH1X-R1S

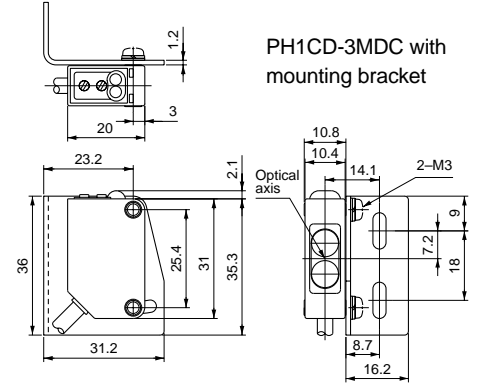
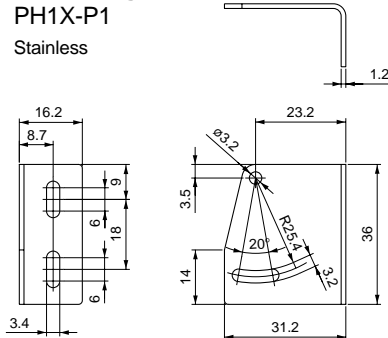


Reflection surface: Methacrylic resin (PMMA)
Reverse side: Acrylonitrile butadiene styrene resin (ABS)

● Mounting bracket

PH1X-P1

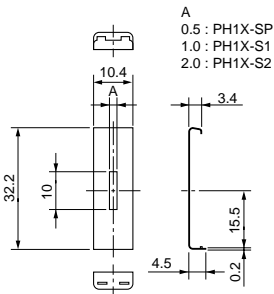
Stainless



● Slit

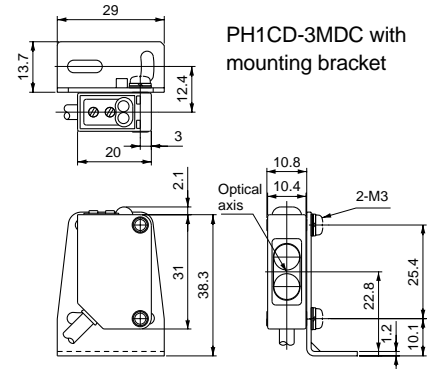
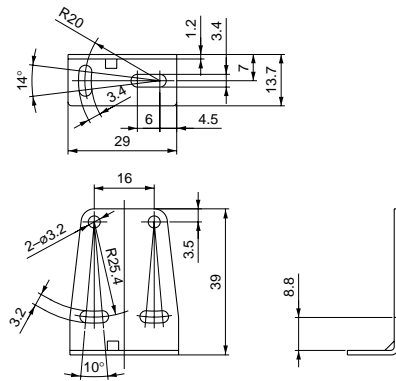
PH1X-SP, PH1X-S1, PH1X-S2

Stainless



PH1X-P2

Stainless



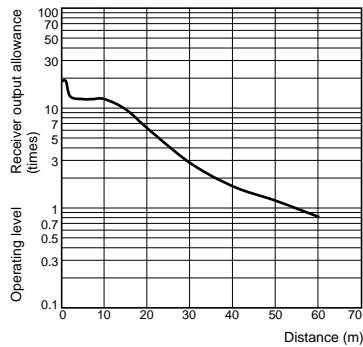
● Detection characteristics using PH1X slit

Photoelectric switch	PH1CT-M1DC		
Slit width (mm)	0.5×10	1×10	2×10
Detecting distance (m)	0.7	1.5	3.5
Minimum detectable target (mm dia.)	0.2	0.5	0.8

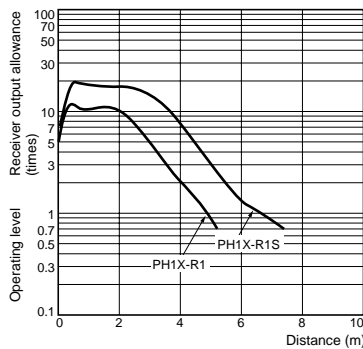
■ Characteristic curve, typical

● Receiver output-Distance

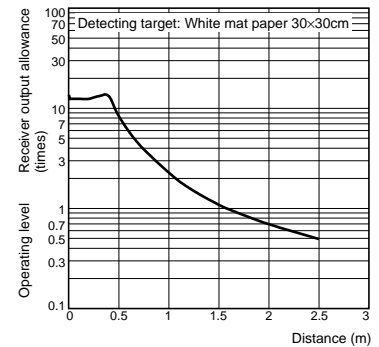
PH1CT-M1DC



PH1CR-3MDC + Reflector

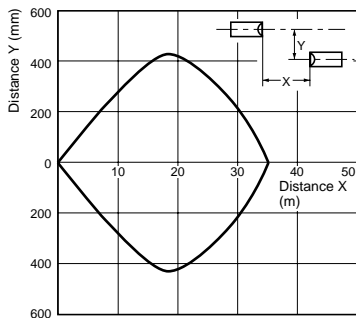


PH1CD-1MDC

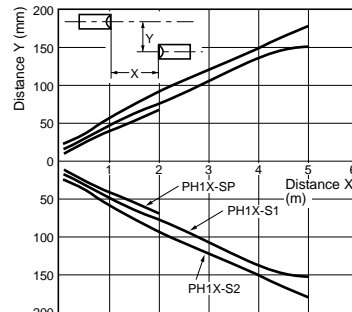


● Setting range of light source and receiver head

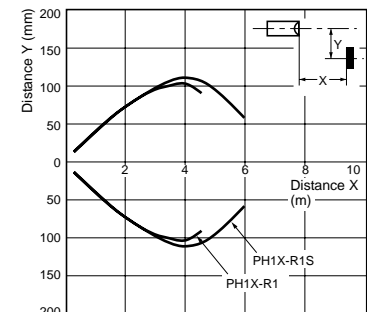
PH1CT-M1DC



PH1CT-M1DC + Slit

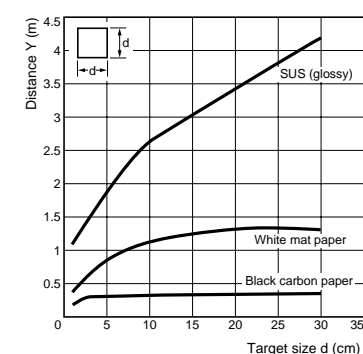


PH1CR-3MDC + Reflector



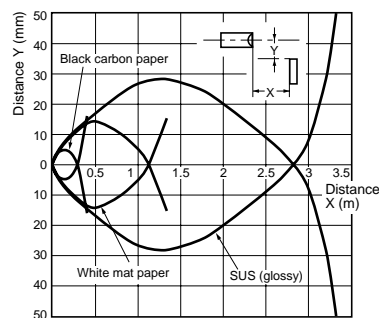
● Size of detecting target - Distance

PH1CD-1MDC



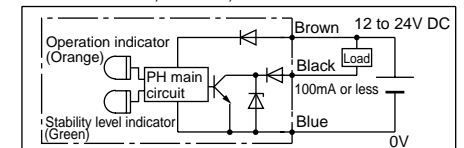
● Operating range

PH1CD-1MDC

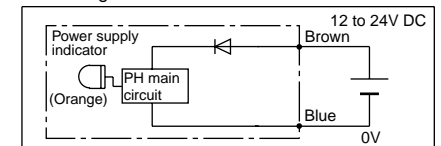


■ Wiring diagrams

PH1CT receiver, PH1CR, PH1CD

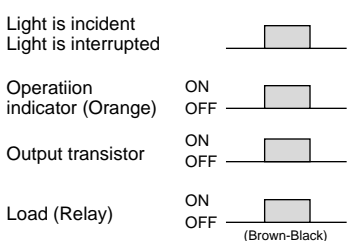


PH1CT light source

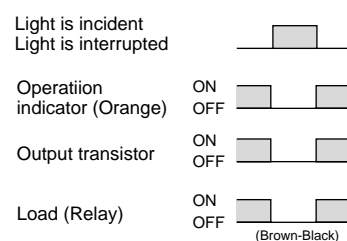


■ Timing diagrams

● "Light-ON" mode (switch: L side)



● "Dark-ON" mode (switch: D side)



Photoelectric Switches

PH1C

Indicator

● Operation indicator (Ope)

Lights when the switch is activated (output transistor ON) irrespective of Light-ON, Dark-ON.

● Stability level indicator (Stab)

Lights when the incident light or shaded light is good enough for stable level.

Status of incident light		Indicator	Stab (green)	Ope (orange)	Allowance
Light-ON	Dark-ON				
Stable incident	Stable shade		ON	ON	Operation level $\times 1.11$
Unstable incident	Unstable shade		OFF	ON	
Unstable shade	Unstable incident		OFF	OFF	Operation level
Stable shade	Stable incident		ON	OFF	Operation level $\times 0.86$

Optical axis adjustment

● Transmission type

Swinging the light source and receiver up and down and right and left when no objects exist, set and fix the light source and receiver to the center within the range where the operation indicator (orange) is lit or is turned off (Dark-ON). At the same time make sure that the stability level indicator (green) is lit.

● Retroreflective type

Swinging the unit and reflector up and down and right and left when no objects exist, set and fix the unit and reflector to the center within the range where the operation indicator (orange) is lit or is turned off (Dark-ON). At the same time make sure that the stability level indicator (green) is lit.

Sensitivity adjustment

● When carrying a normal detection, set the sensitivity adjuster at the maximum sensitivity value by turning it fully clockwise.

● Sensitivity adjustment is necessary for the following cases.

- Transmission type: To detect translucent or minute objects
- Reflection type: To detect objects with inadequate contrast

● Carry out the sensitivity adjustment as follows. (When excessive power is added to the sensitivity adjuster, it might be damaged.)

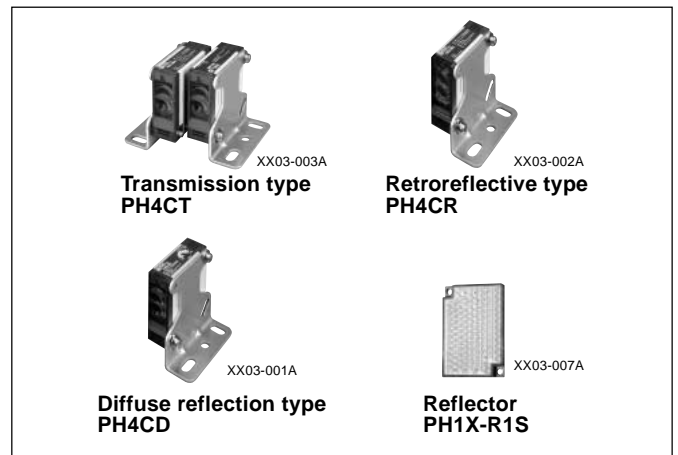
Step	State of detected object		Operation indicator and sensitivity adjuster		Step
	Transmission type	Reflection type	Light-ON	Dark-ON	
1		Detected object 			By turning the sensitivity adjuster, obtain point A and B at that the status of the operation indicator changes. Unless the status changed, two points at finishing turning the sensitivity adjuster will be point A or B.
2		Background object 			
3	—	—			An intermediate position between point A and B will be the optimum position.

Note: ⚙ lit, ● not lit

Photoelectric switches with AC/DC input PH4C

■ Features

- Highly compact with dimensions of 18 x 50 x 50mm
- Accepts a wide range of supply voltage with AC/DC dual input
- Retroreflective type has a wider range of detecting distance. 3.5m for PH4CR-2HR□, 5m for PH4CR-4MR□ (using a separately-sold reflector PH1X-R1S)
- Retroreflective type equipped with mirror surface rejection function
- Meets CE Mark requirements



■ Types

Detecting method		Detecting distance	Light emitting element	Output	Operation mode	Type	Supplied item	Cable length
Transmission type 		5m	Infrared LED	Relay output (SPDT)	Light-ON	PH4CT-5MRA	Light source and receiver	2m
					Dark-ON	PH4CT-5MRB	Light source and receiver	2m
Retroreflective type 	Without mirror surface rejection	0.1 to 4m (0.1 to 5m)*	Red LED	Light-ON	PH4CR-4MRA	Light source/receiver	2m	
	With mirror surface rejection	0.1 to 2.5m (0.1 to 3.5m)*		Light-ON	PH4CR-2HRA			
				Dark-ON	PH4CR-4MRB			
				Light-ON	PH4CR-2HRB	Light source/receiver	2m	
Diffuse reflection type 		30cm	Infrared LED	Light-ON	PH4CD-3CRA	Light source/receiver	2m	
				Dark-ON	PH4CD-3CRB			

Note: * The distances in () are the values where a separately-sold reflector PH1X-R1S is used.

Photoelectric Switches

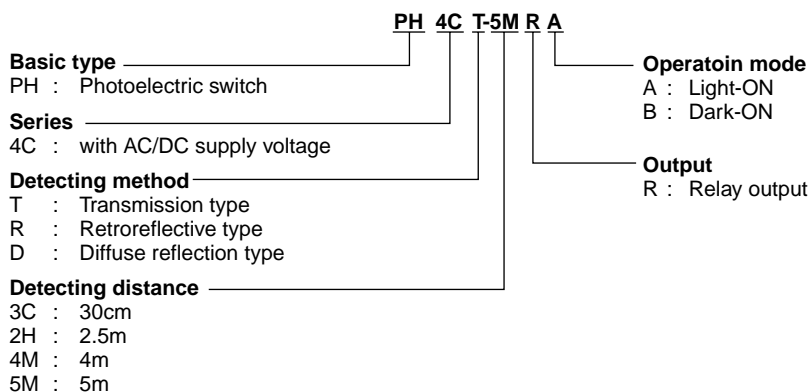
PH4C

■ Ratings and specifications

Detection method	Transmission type	Retroreflective type		Diffuse reflection type	
Type	Light-ON Dark-ON	PH4CT-5MRA PH4CT-5MRB	PH4CR-4MRA PH4CR-4MRB	PH4CR-2HRA PH4CR-2HRB	PH4CD-3CRA PH4CD-3CRB
Light emitting element	Infrared LED	Red LED		Infrared LED	
Supply voltage	24 to 240V AC ±10% 50/60Hz, 12 to 240V DC ±10% (ripple ±10% or less)				
Current consumption	3W max.	2W max.			
Detecting distance	5m	0.1 to 4m (using PH1X-R1) *	0.1 to 2.5m (using PH1X-R1) *	30cm (white mat paper 10x10cm)	
		0.1 to 5m (using PH1X-R1S) *	0.1 to 3.5m (using PH1X-R1S) *		
Detectable target	Opaque 14.8mm dia. min.	Opaque 75mm dia. min.		Transparent or opaque	
Directional angle	Light source and receiver: 3 to 20° each	Light source/receiver: 1 to 5°, Reflector: 40°		—	
Differential	—			Max. 20% of detecting distance	
Detecting output	Contact output: 250V AC 3A (cos φ =1), 5V DC 10mA				
Relay durability	Mechanical	50 millions operations (at 18,000 operations/hour)			
	Electrical	100,000 operations (at 1,800 operations/hour)			
Response time	30ms max. (operation/reset)				
Indicator	Red LED (on when light is incident) Power supply indicator for light source				
Connection	Attached cable (2m, 0.3mm ²)				
Sensitivity adjustment	—			Dial type	
Ambient operating illumination	Incandescent lamp: 3,000 lx max. (at receiving surface)				
Ambient temperature	Operating: -25 to +55°C (no icing), storage: -30 to +70°C				
Ambient humidity	Operating: 45 to 85%RH (no condensation), storage: 35 to 95%RH				
Degree of protection	IP64 (IEC)				
Insulation resistance	20MΩ (500V DC megger)				
Dielectric strength	1,500V AC 50/60Hz for 1min				
Vibration	10 to 55Hz, 1.5mm double amplitude (2 hours for each X, Y, Z direction)				
Shock	500m/s ² (3 times for each X, Y, Z direction)				
Material	Casing	Acrylonitrile butadiene styrene resin (ABS)			
	Lens	Methacrylic resin (PMMA)			
Mass	Approx. 420g	Approx. 250g		Approx. 250g	
Accessory (supplied)	Mounting bracket (PH4X-P1), reflector PH1X-R1 (only for retroreflective type)				

Note: * Reflector PH1X-R1 is supplied, PH1X-R1S is sold separately.

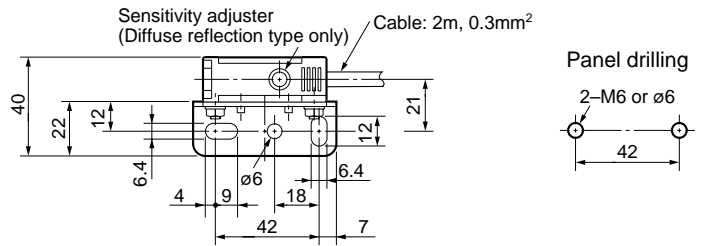
■ Type number nomenclature



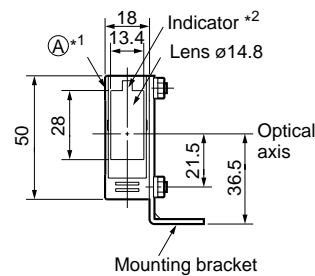
● Ordering information

Specify the following
1. Type number

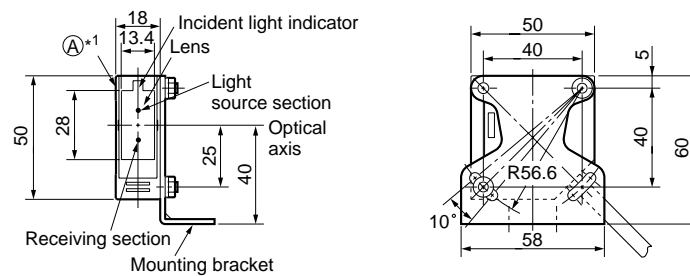
■ **Dimensions, mm**
● **PH4CT, PH4CR, PH4CD**



PH4CT

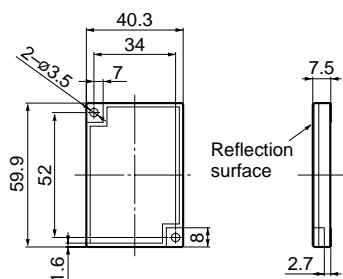


PH4CR, PH4CD



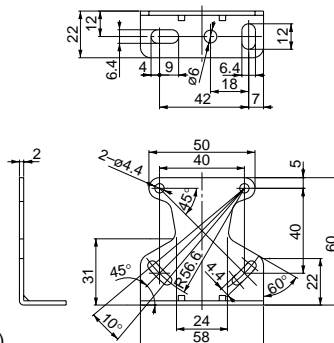
*1 Mounting bracket can be fit on the side "A" too.
*2 Power supply indicator for light source, incident light indicator for receiver

● **Reflector for PH4CR**
PH1X-R1 (supplied)
PH1X-R1S (optional)

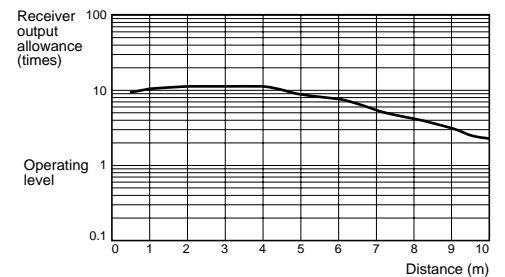


Reflection surface: Methacrylic resin (PMMA)
Reverse side: Acrylonitrile butadiene styrene resin (ABS)

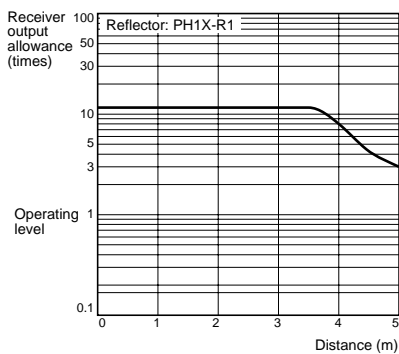
● **Mounting bracket**
PH4X-P1



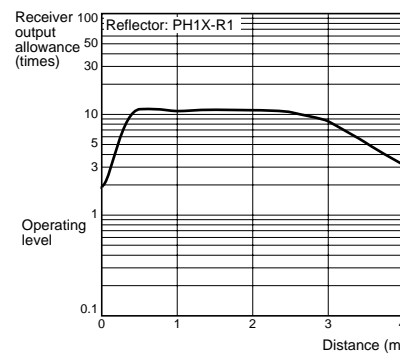
■ **Characteristic curve, typical**
Receiver output - Distance
PH4CT-5MR



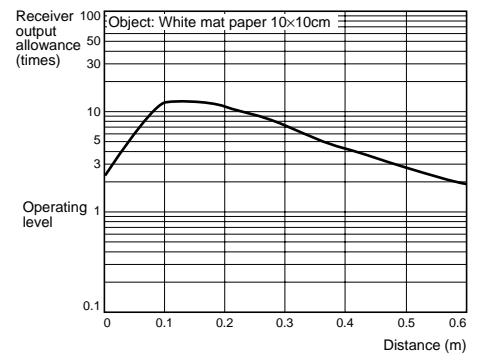
PH4CR-4MR + PH1X-R1 (supplied)



PH4CR-2HR + PH1X-R1 (supplied)



PH4CD-3CR



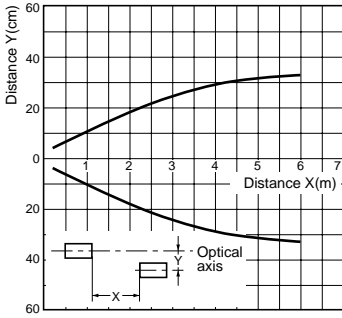
Photoelectric Switches

PH4C

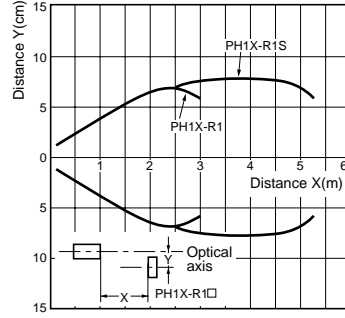
■ Characteristic curve, typical

● Setting range of light source and receiver head

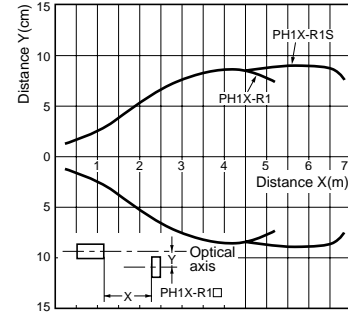
PH4CT-5MR



PH4CR-2HR + Reflector

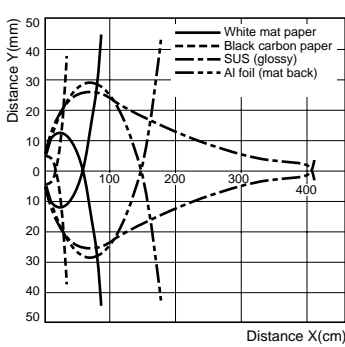


PH4CR-4MR + Reflector



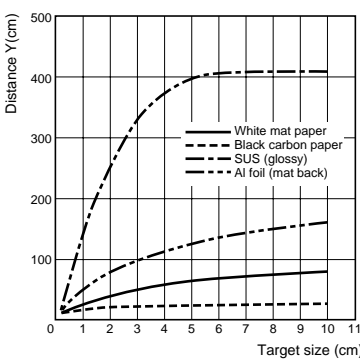
● Operating range

PH4CD-3CR



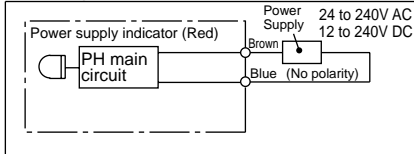
● Size of detecting target - Distance

PH4CD-3CR

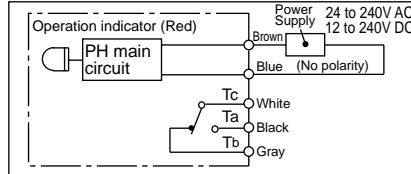


■ Wiring diagrams

PH4CT light source



PH4CT receiver, PH4CR, PH4CD



■ Timing chart

Type	Timing chart
PH4CT-5MRA	
PH4CT-5MRB	
PH4CR-2HRA	
PH4CR-2HRB	
PH4CR-4MRA	
PH4CR-4MRB	
PH4CD-3CRA	
PH4CD-3CRB	

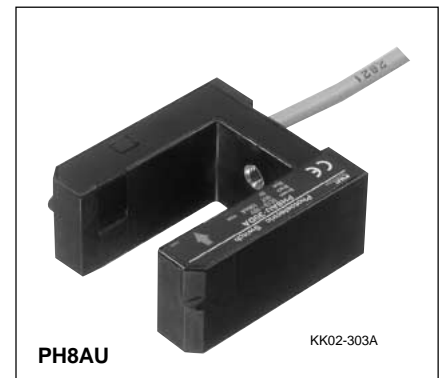
**Slot-type photoelectric switches
PH8AU**

■ Description

Slot-type photoelectric switches ideal for conveyer application, such as elevators and multi-level parking lifts. The emitter and receiver are constructed as a single unit, eliminating the need to adjust the optical axis or sensitivity. Same mounting method as our slot-type magnetically operated reed switches (type PM1U).

■ Features

- Protective structure conforms to IP66 (IEC standards), so the product can be used safely in environments with water droplets.
- High speed response time of 1ms.
- Wide supply operating voltage range from 10 to 30V DC.



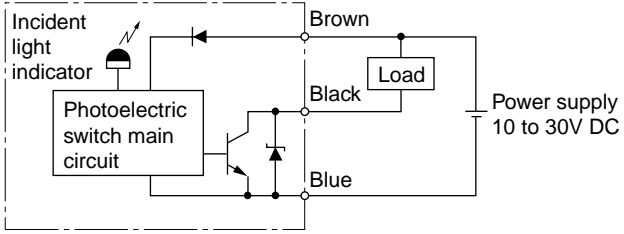
■ Specifications

Type	PH8AU-30DALF	PH8AU-30DBLF
Operating distance (slot width)	30mm	
Detectable object	Opaque, over 6mm diameter	
Light emitting element	Infrared LED	
Supply voltage	10 to 30V DC (Peak must be within this range)	
Current consumption	45mA or less	
Detecting output	(NPN) transistor open collector output, load current	
	Dark-ON	Light-ON
Response time	1ms or less	
Indicator	Output indicator (Red LED)	
Connection	1m attached cable	
Ambient operating illumination	Incandescent lamp: 3000 lx or less, sun light: 10000 lx or less at receiving surface	
Ambient temperature	Operating: -25 to +55°C	
	Storage: -30 to 70°C (no icing)	
Ambient humidity	Operating: 35 to 85%RH	
	Storage: 35 to 95%RH	
Degree of protection	IP66 (IEC)	
Insulation resistance	20MΩ min. (500V DC Megger)	
Dielectric strength	1000V AC 50/60Hz 1 minute	
Vibration	10 to 55Hz, 1.5mm double amplitude (X, Y, Z direction respectively 2 hours)	
Shock	500m/s ² three times for each of three directions X, Y and Z	
Protection circuit	Reverse connection and surge voltage	
Material	Lens	PC
	Casing	PPS

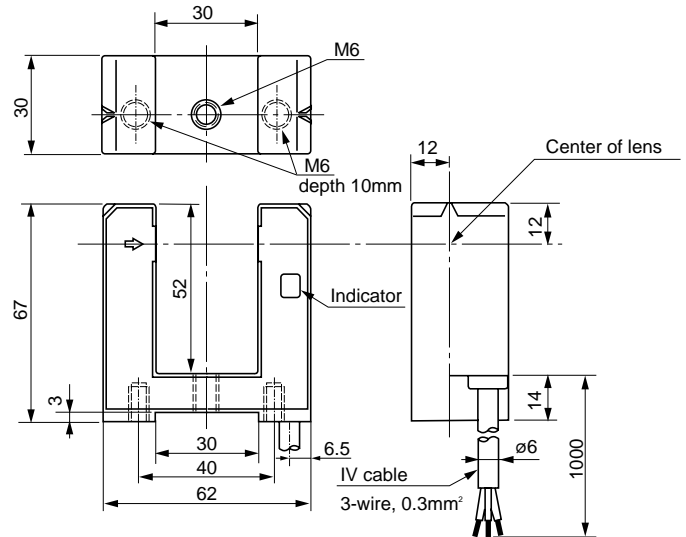
05

Photoelectric Switches PH8AU

■ Wiring diagrams

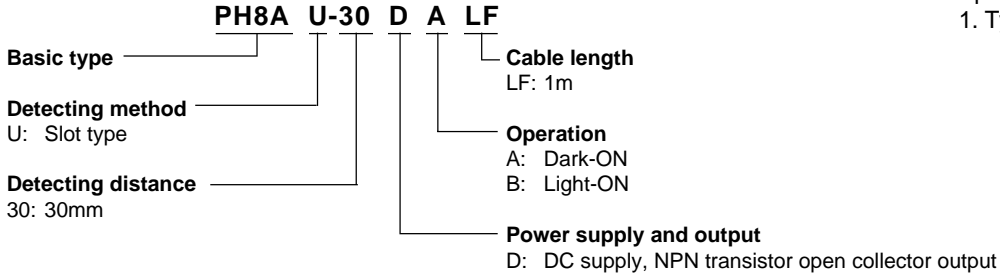


■ Dimensions, mm



Mass 150g

■ Type number nomenclature



■ Ordering information

Specify the following:
1. Type number (ordering code)

Catalog Disclaimer

The information contained in this catalog does not constitute an express or implied warranty of quality, any warranty of merchantability or fitness for a particular purpose is hereby disclaimed.

Since the user's product information, specific use application, and conditions of use are all outside of Fuji Electric FA Components & Systems' control, **it shall be the responsibility of the user to determine the suitability of any of the products mentioned for the user's application.**

One Year Limited Warranty

The products identified in this catalog shall be sold pursuant to the terms and conditions identified in the "Conditions of Sale" issued by Fuji Electric FA with each order confirmation.

Except to the extent otherwise provided for in the Conditions of Sale issued by Fuji Electric FA, Fuji Electric FA warrants that the Fuji Electric FA products identified in this catalog shall be free from significant defects in materials and workmanship provided the product has not been: 1) repaired or altered by others than Fuji Electric FA; 2) subjected to negligence, accident, misuse, or damage by circumstances beyond Fuji Electric FA's control; 3) improperly operated, maintained or stored; or 4) used in other than normal use or service. This warranty shall apply only to defects appearing within one (1) year from the date of shipment by Fuji Electric FA, and in such case, only if such defects are reported to Fuji Electric FA within thirty (30) days of discovery by purchaser. Such notice should be submitted in writing to Fuji Electric FA at 5-7, Nihonbashi Odemma-cho, Chuo-ku, Tokyo, Japan. The sole and exclusive remedy with respect to the above warranty whether such claim is based on warranty, contract, negligence, strict liability or any other theory, is limited to the repair or replacement of such product or, at Fuji Electric FA's option reimbursement by Fuji Electric FA of the purchase price paid to Fuji Electric FA for the particular product. **Fuji Electric FA does not make any other representations or warranties, whether oral or in writing, expressed or implied, including but not limited to any warranty regarding merchantability or fitness for a particular purpose.** Except as provided in the Conditions of Sale, no agent or representative of Fuji Electric FA is authorized to modify the terms of this warranty in writing or orally.

In no event shall Fuji Electric FA be liable for special, indirect or consequential damages, including but not limited to, loss of use of the product, other equipment, plant and power system which is installed with the product, loss of profits or revenues, cost of capital, or claims against the purchaser or user of the product by its customers resulting from the use of information, recommendations and descriptions contained herein. The purchaser agrees to pass on to its customers and users, in writing at the time inquiries and orders are received by buyer, Fuji Electric FA's warranty as set forth above.

Caution "Safety precautions"

- Operate (keep) in the environment specified in the operating instructions and manual. High temperature, high humidity, condensation, dust, corrosive gases, oil, organic solvents, excessive vibration or shock might cause electric shock, fire, erratic operation or failure.
- Follow the regulations of industrial wastes when the product is to be discarded.
- The products covered in this catalog have not been designed or manufactured for use in equipment or systems which, in the event of failure, can lead to loss of human life.
- If you intend to use the products covered in this catalog for special applications, such as for nuclear energy control, aerospace, medical, or transportation, please consult our Fuji Electric FA agent.
- Be sure to provide protective measures when using the product covered in these catalogs in equipment which, in the event of failure, may lead to loss of human life or other grave results.
- Follow the directions of the operating instructions when mounting the product.

D&C CATALOG DIGEST INDEX

Individual catalog No. **LOW VOLTAGE PRODUCTS Up to 600 Volts**

01 Magnetic Contactors and Starters
Thermal Overload Relays, Solid-state Contactors

02 Manual Motor Starters and Contactors
Combination Starters

03 Industrial Relays, Industrial Control Relays
Annunciator Relay Unit, Time Delay Relays

04 Pushbuttons, Selector Switches, Pilot Lights
Rotary Switches, Cam Type Selector Switches
Panel Switches, Terminal Blocks, Testing Terminals

05 Limit Switches, Proximity Switches
Photoelectric Switches

06 Molded Case Circuit Breakers
Air Circuit Breakers

07 Earth Leakage Circuit Breakers
Earth Leakage Protective Relays

08 Circuit Protectors
Low Voltage Current-Limiting Fuses

09 Measuring Instruments, Arresters, Transducers
Power Factor Controllers
Power Monitoring Equipment (F-MPC)

10 AC Power Regulators
Noise Suppression Filters
Control Power Transformers

HIGH VOLTAGE PRODUCTS Up to 36kV

11 Disconnecting Switches, Power Fuses
Air Load Break Switches
Instrument Transformers — VT, CT

12 Vacuum Circuit Breakers, Vacuum Magnetic Contactors
Protective Relays

INDIVIDUAL CATALOG **05**

from D&C CATALOG 20th Edition

Fuji Electric FA Components & Systems Co., Ltd.

5-7, Nihonbashi Odemma-cho, Chuo-ku, Tokyo, 103-0011, Japan

URL <http://www.fujielectric.co.jp/fcs/eng>

Information in this catalog is subject to change without notice.