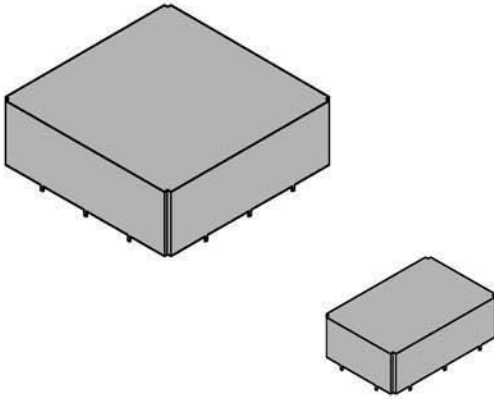


# PCMC Series: PCB Mounting Cans



## Specification

|                             |  |
|-----------------------------|--|
| <b>Material/Finish:</b>     | Tinplate to BS EN 1202                             |
| <b>Thickness:</b>           | 0.54mm   |
| <b>Surface resistivity:</b> | $20 \times 10^{-6} \Omega$ per square              |
| <b>Conductivity:</b>        | $5 \times 10^4 S$ (mho)                            |
| <b>Tolerance:</b>           | +/- 0.25mm (general)<br>+/- 0.10mm (PCB pin pitch) |
| <b>Pin Size:</b>            | 1mm x 2.25mm                                       |

A low cost range of single piece PCB mounting cans giving good attenuation for applications where board level RFI/EMI screening is required, available in standard or custom options.

- ◆ **PCB Mounting Pins**  
tinplate finish for solderability
- ◆ **Locking Pins (optional)**  
for positive placement & retention (see next page)  
ideal for reflow soldering applications
- ◆ **Butt Jointed Corners**  
tinplate finish allows corners to be easily soldered for increased screening
- ◆ **Custom Sizes**  
can be manufactured without tooling charges  
making prototypes and low volumes viable
- ◆ **Additional Features**  
holes, cut outs, etc., can be incorporated  
during manufacture (see back page)
- ◆ **Alternative Materials**  
copper, brass, steel, nickel
- ◆ **Alternative Finishes**  
bright acid tin, nickel plate

## STOCK SIZES - Internal & overall dimensions (mm)

| Part No. | Dim. A | Dim. B | Dim. C | Nominal overall size | Number of Pins | Pin Pitch |
|----------|--------|--------|--------|----------------------|----------------|-----------|
| PCMC1    | 20     | 20     | 15     | 21 x 21 x 16         | 4              | C/L       |
| PCMC2    | 25     | 25     | 15     | 26 x 26 x 16         | 8              | 10.5      |
| PCMC3    | 30     | 25     | 20     | 31 x 26 x 21         | 8              | 10.5      |
| PCMC4    | 30     | 30     | 15     | 31 x 31 x 16         | 8              | 10.5      |
| PCMC5    | 40     | 30     | 15     | 41 x 31 x 16         | 10             | 10.5      |
| PCMC6    | 40     | 35     | 20     | 41 x 36 x 21         | 12             | 10.5      |
| PCMC7    | 40     | 40     | 15     | 41 x 41 x 16         | 8              | 20        |
| PCMC8    | 50     | 50     | 15     | 51 x 51 x 16         | 8              | 20        |
| PCMC9    | 60     | 40     | 20     | 61 x 41 x 21         | 10             | 20        |
| PCMC10   | 70     | 50     | 25     | 71 x 51 x 26         | 10             | 20        |
| PCMC11   | 75     | 75     | 25     | 76 x 76 x 26         | 12             | 20        |
| PCMC12   | 100    | 50     | 25     | 101 x 51 x 26        | 12             | 20        |

**NOTE:** A4 dimensioned drawings for each part are available on request.

