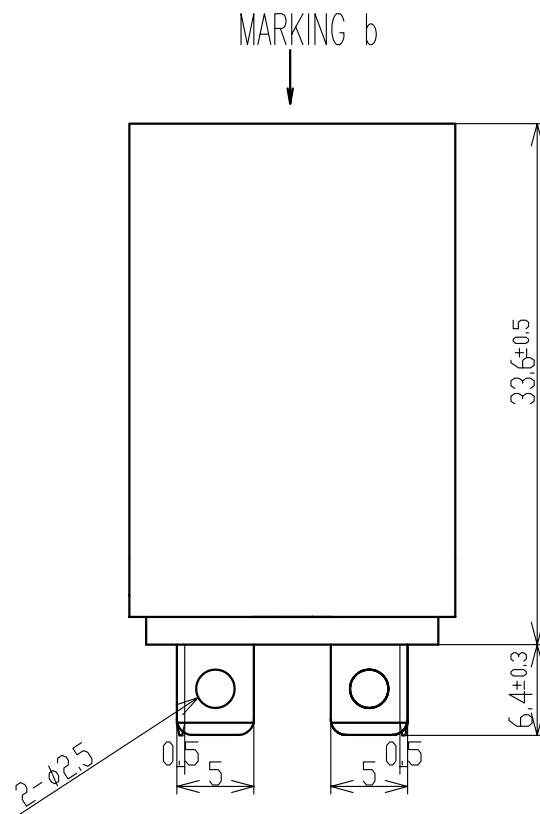
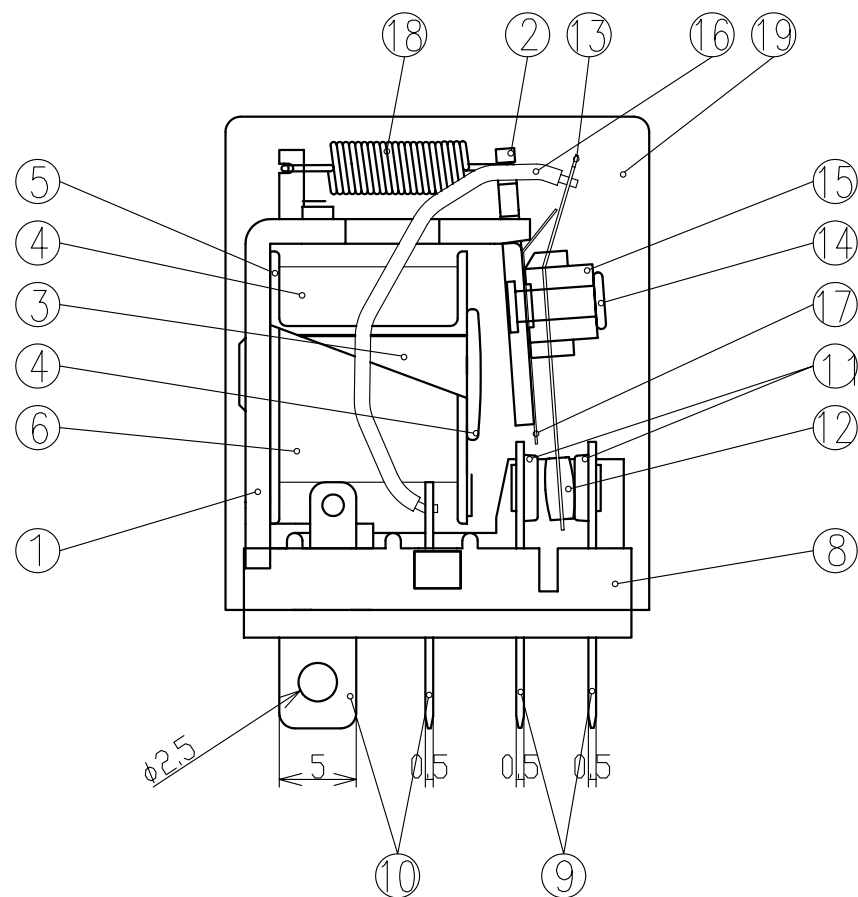
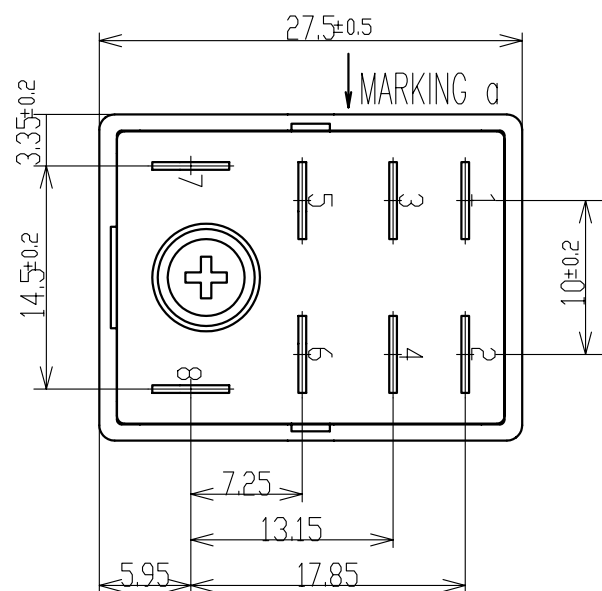
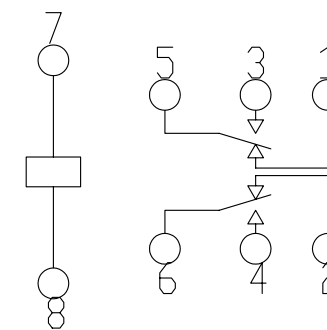


THIS DRAWING IS UNPUBLISHED. RELEASED FOR PUBLICATION
 © COPYRIGHT BY TYCO ELECTRONICS CORPORATION. ALL RIGHTS RESERVED.

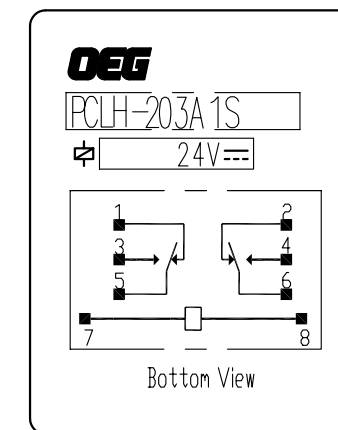
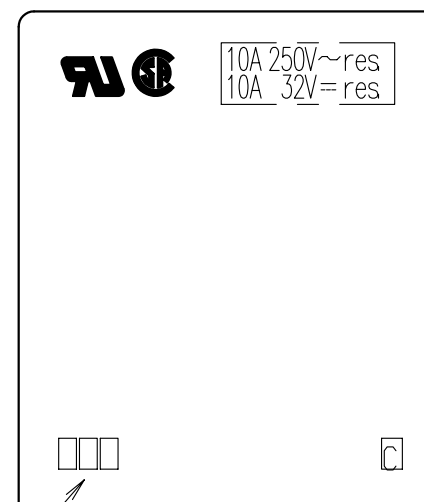
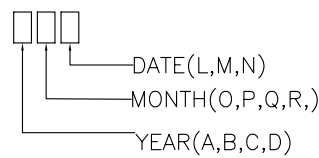
LOC	DIST	REVISIONS						
		P	LTR	DESCRIPTION	ECN	DATE	DWN	APVD
HH			A	ADD PACKING SPEC	ECO-06-013487	31-MAY-06	W.QH	H.F



CONNECTION DIAGRAM



LOT NUMBERING SYSTEM AS FOLLOWS:



NOTES
 1. PART "B" SHOULD FIT PART "A" AFTER CASE INSERTION PROCESS

Diagram dimension	Tolerance
max. 1mm	±0.1mm
1 - 3mm	±0.2mm
min. 3mm	±0.3mm

THIS DRAWING IS A CONTROLLED DOCUMENT FOR TYCO ELECTRONICS CORPORATION IT IS SUBJECT TO CHANGE AND THE CONTROLLING ENGINEERING ORGANIZATION SHOULD BE CONTACTED FOR THE LATEST REVISION.		DWN	H.SASAKI	Tyco Electronics EC K.K. Tochigi, Japan	
DIMENSIONS: mm		CHK	N.FUNAYAMA		
TOLERANCES UNLESS OTHERWISE SPECIFIED:		APVD	A.NAGAI	NAME	
0 PLC ±		PRODUCT SPEC	-	PCLH 2P-DC CUSTOMER DRAWING	
1 PLC ±		APPLICATION SPEC	-	SIZE	A3
2 PLC ±		WEIGHT	-	CAGE CODE	00779
3 PLC ±		CUSTOMER DRAWING	SCALE 2:1	DRAWING NO	5-1461068-3
4 PLC ±				RESTRICTED TO	
MATERIAL		FINISH		SHEET	1 OF 2
				REV	A

THIS DRAWING IS UNPUBLISHED.

RELEASED FOR PUBLICATION

© COPYRIGHT

BY TYCO ELECTRONICS CORPORATION. ALL RIGHTS RESERVED.

LOC

DIST

REVISIONS

P	LTR	DESCRIPTION	ECN	DATE	DWN	APVD

6-1461068-5	107-79058	PCLH-205DIS ,000	100/110V	PCLH-205DIS	e
5-1461068-5	107-79058	PCLH-204DIS ,000	48V	PCLH-204DIS	d
7-1440007-1	107-79058	PCLH-203DIS ,000	24V	PCLH-203DIS	c
5-1461068-4	107-79058	PCLH-202DIS ,000	12V	PCLH-202DIS	b
5-1461068-3	107-79058	PCLH-201DIS ,000	6V	PCLH-201DIS	a
PART NO.	PACKING SPEC	DESCRIPTION	PART B	PART A	ITEM

(A)

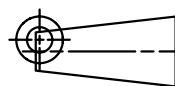
RELAY TYPE

1	1	1	1	1	UL94 V-0		PC	CASE	19
1	1	1	1	1			SUS304WPB	SPRING FOR HINGE	18
1	1	1	1	1			PE	INSULATION PLATE	17
2	2	2	2	2			REH-EX	LEAD WIRE	16
1	1	1	1	1	UL94 V-0		PBT	MOLD FOR MOVABLE SPRING	15
2	2	2	2	2			AL	REKET	14
1	1	1	1	1			Cu ALLOY	MOVABLE SPRING	13
1	1	1	1	1			Ag ALLOY	MOVABLE CONTACT	12
4	4	4	4	4			Ag ALLOY	STATIONARY CONTACT	11
4	4	4	4	4			Cu ALLOY	COIL,MOVABLE TERMINAL	10
4	4	4	4	4			Cu ALLOY	NO,NC TERMINAL	9
1	1	1	1	1			UP	BASE	8
1	1	1	1	1			STEEL	SCREW	7
1	1	1	1	1			PE	TAPE	6
1	1	1	1	1	UL94 HB		NYRON	BOBBIN	5
1	1	1	1	1			UEW	COIL WIRE	4
1	1	1	1	1			STEEL	CORE	3
1	1	1	1	1			STEEL	ARMATURE	2
1	1	1	1	1			STEEL	YOKE	1
e	d	c	b	a	INCOMBUSTIBILITY	TREATMENT	MATERIAL	DESCRIPTION	ITEM

THIS DRAWING IS A CONTROLLED DOCUMENT FOR TYCO ELECTRONICS CORPORATION IT IS SUBJECT TO CHANGE AND THE CONTROLLING ENGINEERING ORGANIZATION SHOULD BE CONTACTED FOR THE LATEST REVISION.

DIMENSIONS:

mm



TOLERANCES UNLESS OTHERWISE SPECIFIED:

- 0 PLC ±
- 1 PLC ±
- 2 PLC ±
- 3 PLC ±
- 4 PLC ±

MATERIAL

FINISH

DWN

CHK

APVD

PRODUCT SPEC

APPLICATION SPEC

WEIGHT

CUSTOMER DRAWING

Tyco Electronics

Tyco Electronics EC K.K. Tochigi, Japan

NAME

PCLH 2P-DC CUSTOMER DRAWING

SIZE

CAGE CODE

DRAWING NO

RESTRICTED TO

A3

00779

C

5-1461068-3

SCALE 2:1

SHEET 2 OF 2

REV A