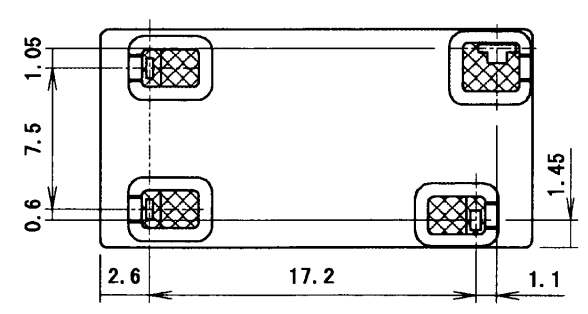
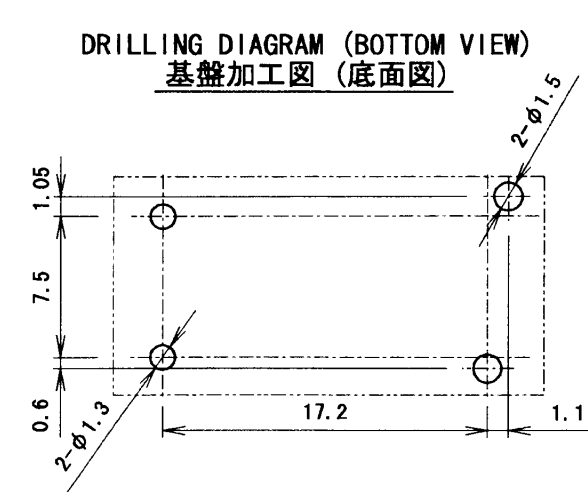
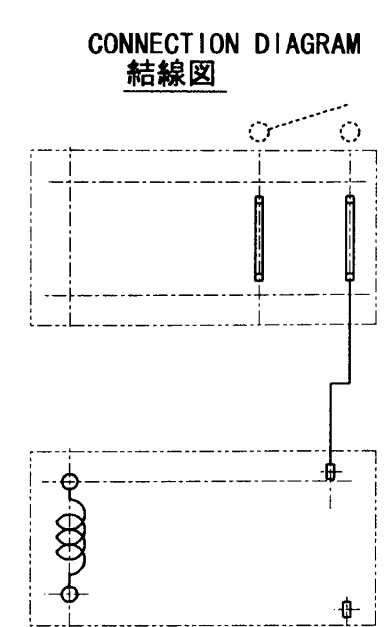
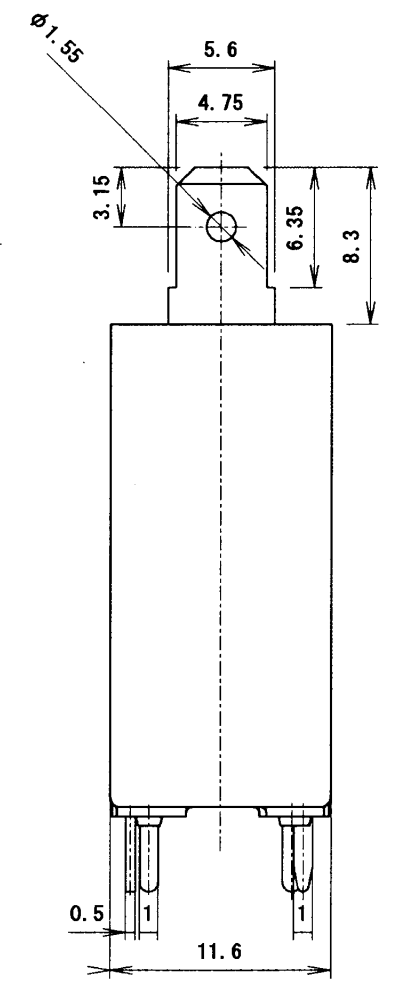
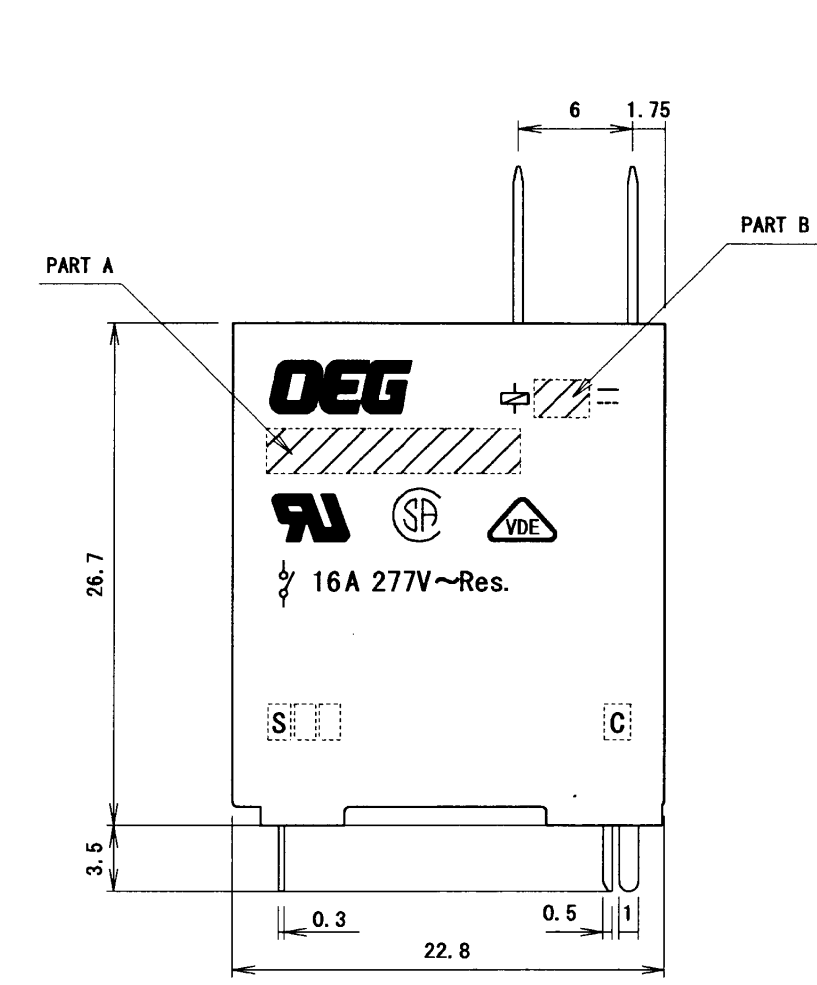


LOC	DIST	REVISIONS						
		P	LTR	DESCRIPTION	ECN	DATE	DWN	APVD
			0	RELEASE		27-MAR-03	H. S	H. S



AMP PART NO	EC TYPE NO	PRODUCT SPEC NO	PART B	PART A	TYPE
3-1419153-7	PCK-118D2M, 000	108-79431	18V	PCK-118D2M	c
4-1440007-9	PCK-112D2M, 000	108-79430	12V	PCK-112D2M	b
1461370-1	PCK-106D2M, 000	108-79428	6V	PCK-106D2M	a

RELAY TYPE

c	b	a	INCOMBUSTIBILITY	TREATMENT	MATERIAL	DESCRIPTION	ITEM
1	1	1			EPOXY RESIN	SEAL	18
1	1	1			POLYURETHANE COPPER WIRE	MAGNETIC WIRE	17
1	1	1			Cu ALLOY	COIL TERMINAL B	16
1	1	1			Cu ALLOY	COIL TERMINAL A	15
1	1	1			Cu ALLOY	DUMMY TERMINAL	14
1	1	1	V-0		PBT	BOBBIN	13
1	1	1	V-0		PBT	CARD	12
1	1	1	V-0		PBT	CASE	11
1	1	1	V-0		PBT	BASE	10
1	1	1			Ag ALLOY	NO. CONTACT	9
1	1	1			Ag ALLOY	MOVABLE CONTACT	8
1	1	1			Cu ALLOY	NO. TERMINAL	7
1	1	1			Cu ALLOY	MOVABLE SPRING	6
1	1	1			Cu ALLOY	C-TERMINAL	5
1	1	1			STAINLESS STEEL	HINGE SPRING	4
1	1	1		Cu-Ni PLATED	STEEL	CORE	3
1	1	1		Cu-Ni PLATED	STEEL	YOKE	2
1	1	1		Cu-Ni PLATED	STEEL	ARMATURE	1

THIS DRAWING IS A CONTROLLED DOCUMENT FOR TYCO ELECTRONICS CORPORATION. IT IS SUBJECT TO CHANGE AND THE CONTROLLING ENGINEERING ORGANIZATION SHOULD BE CONTACTED FOR THE LATEST REVISION.

DIMENSIONS:
単位: 英 (mm)

TOLERANCES UNLESS OTHERWISE SPECIFIED:

0 PLC	±
1 PLC	±
2 PLC	±
3 PLC	±
4 PLC	±
ANGLES	±

MATERIAL: 材料

FINISH: 仕上

DWN: H. Sasaki
 CHK: N. Funayama
 APVD: A. Nagai

tyco Electronics Tyco Electronics EC K.K. Tochigi, Japan

NAME: A. Nagai
 PRODUCT SPEC: SEE PRODUCT SPEC
 APPLICATION SPEC: 取付適用規格

SIZE: A3
 CAGE CODE: 00779
 DRAWING NO: 4-1440007-9

RESTRICTED TO: []
 SCALE: 2.5 : 1
 SHEET: 1 OF 1
 REV: 0

CUSTOMER DRAWING