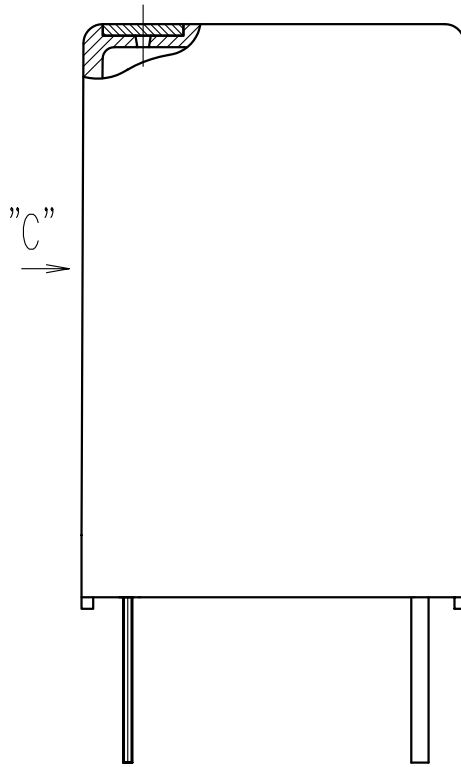
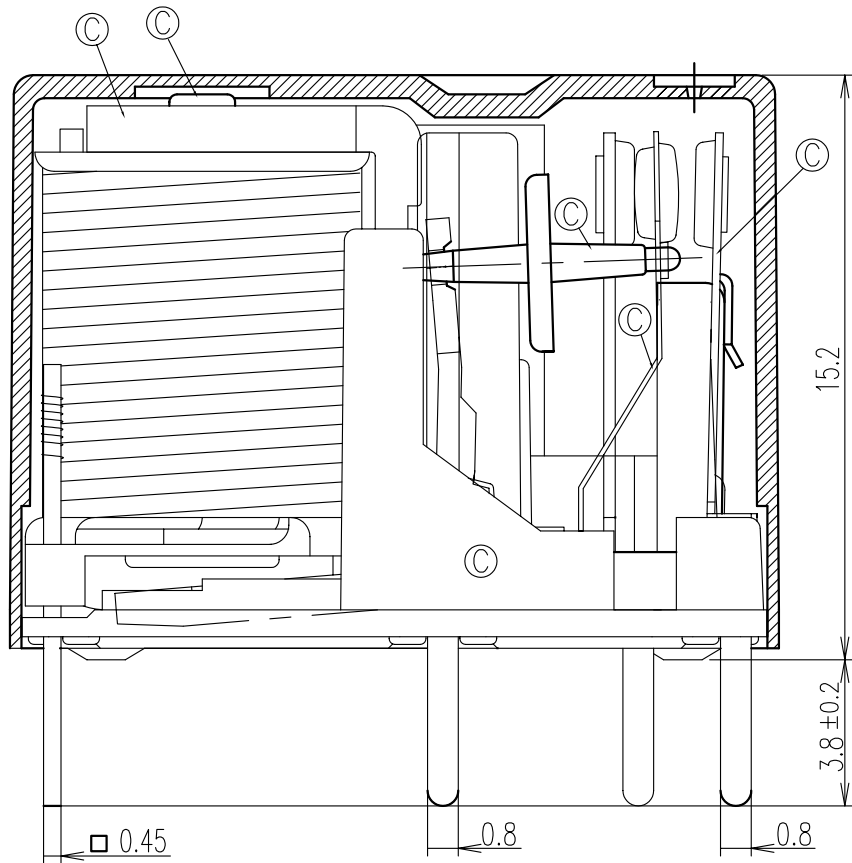
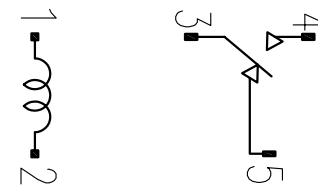


THIS DRAWING IS UNPUBLISHED. RELEASED FOR PUBLICATION
 © COPYRIGHT BY TYCO ELECTRONICS CORPORATION. ALL RIGHTS RESERVED.

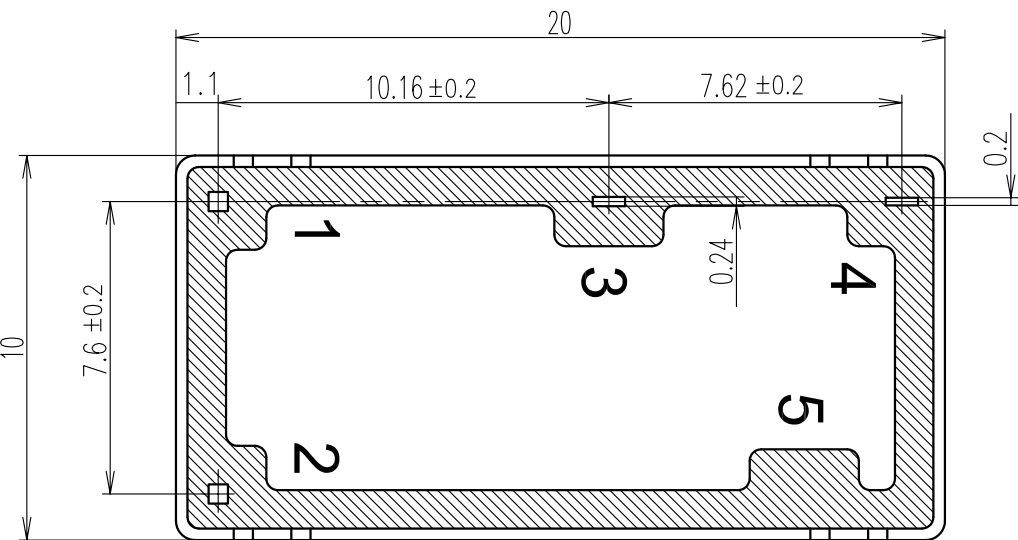
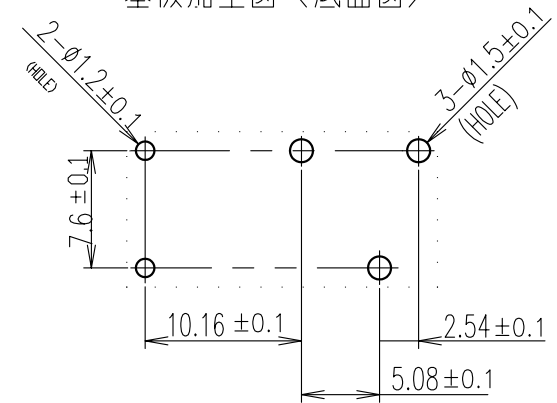
LOC	DIST	REVISIONS 変更						
		P	LTR	DESCRIPTION	ECN	DATE	DWN	APVD
HH		01		RELEASE	FK00-0138-04	21-JUL-04	H.S	A.N
		C		CHANGE PARTS	ECO-05-010725	17-AUG-05	KY.DU	N.F



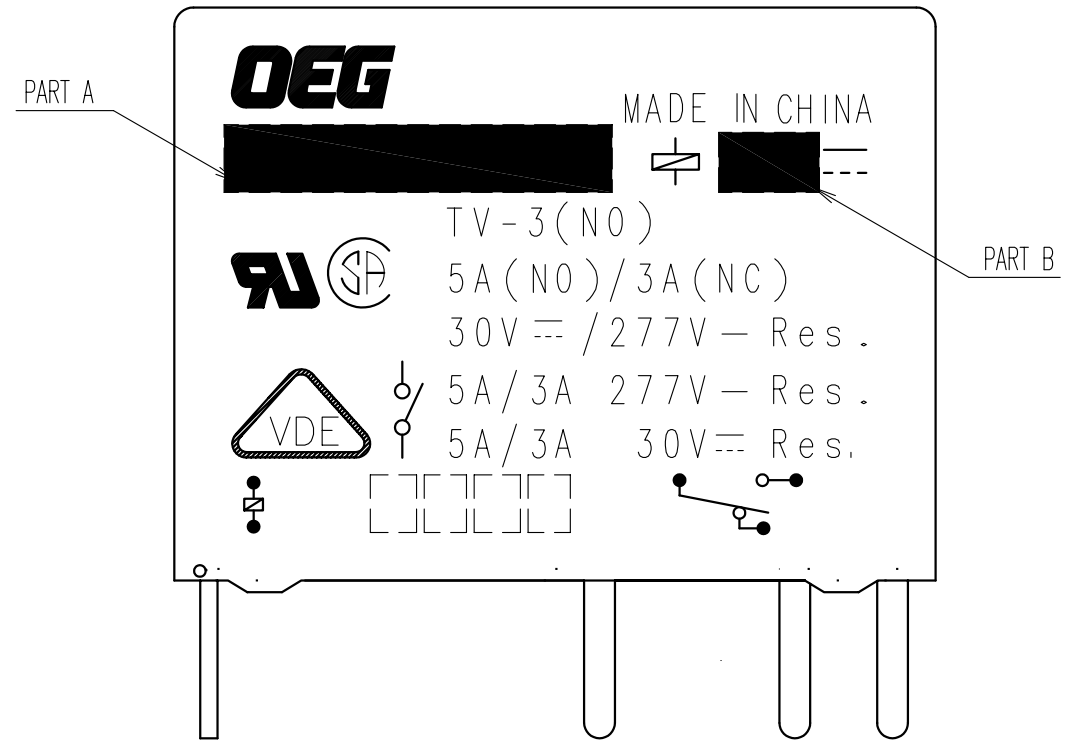
CONNECTION DIAGRAM (BOTTOM VIEW)
結線図 (底面図)



DRILLING DIAGRAM (BOTTOM VIEW)
基板加工図 (底面図)



VIEW C



NOTES:
 1. TERMINAL DIMENSIONS BEFORE SOLDER DIP
 端子寸法は予備半田前の寸法
 2. LAST SUFFIX
 NON : WASHABLE TYPE
 無し : 半田付け後PC基板洗浄可能な型

Diagram dimension 作図寸法	Tolerance 公差
0.99mm max.	±0.1mm
1 - 2.99mm	±0.2mm
3mm min.	±0.3mm

THIS DRAWING IS A CONTROLLED DOCUMENT FOR TYCO ELECTRONICS CORPORATION IT IS SUBJECT TO CHANGE AND THE CONTROLLING ENGINEERING ORGANIZATION SHOULD BE CONTACTED FOR THE LATEST REVISION.		DWN H.SASAKI	Tyco Electronics EC K.K. Tochigi, Japan	
DIMENSIONS: 単位: 耗 mm		CHK N.FUNAYAMA		
TOLERANCES UNLESS OTHERWISE SPECIFIED:		APVD A.NAGAI	NAME 名称	
0 PLC ± 1 PLC ± 2 PLC ± 3 PLC ± 4 PLC ± ANGLES ±		PRODUCT SPEC 製品規格	PCH SPEC,001	
MATERIAL 材料		FINISH 仕上	APPLICATION SPEC 取付適用規格	RESTRICTED TO
		WEIGHT	SIZE A3	CAGE CODE 00779
		CUSTOMER DRAWING	DRAWING NO 番号	1461410
			SCALE 尺度	5:1
			SHEET 枚数	1 OF 2
			REV 版	C

THIS DRAWING IS UNPUBLISHED. RELEASED FOR PUBLICATION
 © COPYRIGHT BY TYCO ELECTRONICS CORPORATION. ALL RIGHTS RESERVED.



LOC	DIST	REVISIONS						
		P	LTR	DESCRIPTION	ECN	DATE	DWN	APVD
HH								

1461410-4	PCH-148D2H,001	48V	PCH-148D2H	n
9-1440003-5	PCH-124D2H,001	24V	PCH-124D2H	m
1461410-3	PCH-118D2H,001	18V	PCH-118D2H	l
9-1440003-3	PCH-112D2H,001	12V	PCH-112D2H	k
9-1440003-2	PCH-109D2H,001	9V	PCH-109D2H	j
9-1440003-1	PCH-106D2H,001	6V	PCH-106D2H	i
9-1440003-0	PCH-105D2H,001	5V	PCH-105D2H	h
1461410-2	PCH-148D2,001	48V	PCH-148D2	g
1440004-1	PCH-124D2,001	24V	PCH-124D2	f
1461410-1	PCH-118D2,001	18V	PCH-118D2	e
1440004	PCH-112D2,001	12V	PCH-112D2	d
9-1440003-9	PCH-109D2,001	9V	PCH-109D2	c
9-1440003-8	PCH-106D2,001	6V	PCH-106D2	b
9-1440003-7	PCH-105D2,001	5V	PCH-105D2	a
PART NO	EC TYPE NAME	PART B	PART A	TYPE

RELAY TYPE

AR	AR	AR	AR	AR	AR	AR											UV RESIN	UV SEAL	17
AR	AR	AR	AR	AR	AR	AR	AR	AR	AR	AR	AR	AR	AR				EPOXY RESIN	SEAL	16
AR	AR	AR	AR	AR	AR	AR	AR	AR	AR	AR	AR	AR	AR				UEW	COIL WIRE	15
2	2	2	2	2	2	2	2	2	2	2	2	2	2			SOLDER DIP	HCP WIRE	COIL TERMINAL	14
2	2	2	2	2	2	2	2	2	2	2	2	2	2				Ag ALLOY	STATIONARY CONTACT	13
1	1	1	1	1	1	1	1	1	1	1	1	1	1				Ag ALLOY	MOVBLE CONTACT	12
1	1	1	1	1	1	1	1	1	1	1	1	1	1				Cu ALLOY	HINGE SPRING	11
1	1	1	1	1	1	1	1	1	1	1	1	1	1			SOLDER DIP	Cu ALLOY	NC TERMINAL	10
1	1	1	1	1	1	1	1	1	1	1	1	1	1			SOLDER DIP	Cu ALLOY	NC TERMINAL	9
1	1	1	1	1	1	1	1	1	1	1	1	1	1			SOLDER DIP	Cu ALLOY	MOVABLE SPRING	8
1	1	1	1	1	1	1	1	1	1	1	1	1	1	UL94 V-0			PA6T	CARD	7
1	1	1	1	1	1	1	1	1	1	1	1	1	1	UL94 V-0			PBT	CASE	6
1	1	1	1	1	1	1	1	1	1	1	1	1	1	UL94 HB			PA66	BOBBIN	5
1	1	1	1	1	1	1	1	1	1	1	1	1	1	UL94 V-0			PBT	BASE	4
1	1	1	1	1	1	1	1	1	1	1	1	1	1			Ni PLATED	STEEL	CORE	3
1	1	1	1	1	1	1	1	1	1	1	1	1	1			Ni PLATED	STEEL	ARMATURE	2
1	1	1	1	1	1	1	1	1	1	1	1	1	1			Ni PLATED	STEEL	YOKE	1
n	m	l	k	j	i	h	g	f	e	d	c	b	a	INCOMBUSTIBILITY	TREATMENT	MATERIAL	DESCRIPTION	ITEM	

THIS DRAWING IS A CONTROLLED DOCUMENT FOR TYCO ELECTRONICS CORPORATION. IT IS SUBJECT TO CHANGE AND THE CONTROLLING ENGINEERING ORGANIZATION SHOULD BE CONTACTED FOR THE LATEST REVISION.

DIMENSIONS: 單位: 耗 mm	TOLERANCES UNLESS OTHERWISE SPECIFIED: 0 PLC ± 1 PLC ± 2 PLC ± 3 PLC ± 4 PLC ± ANGLES ±	DWN	 Tyco Electronics EC K.K. Tochigi, Japan
	MATERIAL 材料	CHK	
		APVD	PRODUCT SPEC 製品規格
		APPLICATION SPEC 取付適用規格	SIZE CAGE CODE DRAWING NO 番号
		WEIGHT	A3 00779 C- 1461410
		CUSTOMER DRAWING	RESTRICTED TO
			SCALE 尺度 NTS SHEET 2 OF 2 REV C