

PC F 65 G



Sample image

Order symbol: PC F 65 G

Product nbr: 8724311

UL Code: 8714311

UL Name: UL PC F 65 G

Description: Enclosure. PC

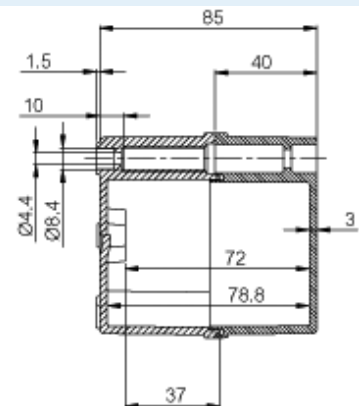
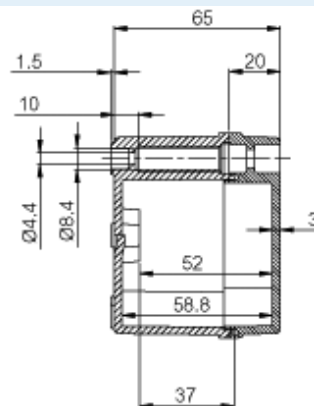
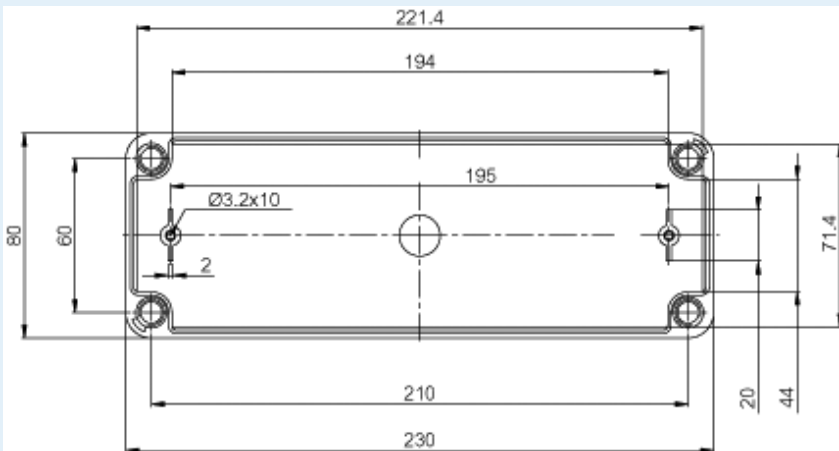
Remarks: Opaque cover

EAN: 6418074002198

El. number:

- Finland: 3423413
- Denmark: 8212001611
- Sweden: 2536820

Including: Base with screws for mounting plate/DIN-rail. cover with PUR gasket and polyamide cover screws.



Dimensions:	Height	Width	Depth
mm:	230	80	65
inch:	9.06	3.15	2.56

Materials:

Material:	Polycarbonate
Base colour:	RAL 7035 -light grey
Cover colour:	RAL 7035 -light grey
Gasket material:	Polyurethane

Temperatures:

Temperature °C (short term)::	-40 ... 120
Temperature °C (continuous):	
Temperature °F (short term):	-40 ... 250
Temperature °F (continuous):	-40 ... 175

Accessories:

FP 22040	Mounting foot kit (2 pcs). for enclosures:
F-MP	Back Panel. for enclosures: (200 x 54 x 1)
FM-3	DIN-35 Mounting rail. for enclosures: (35 x 200 x 1)

Rating:

Ingress protection (EN 60529):	IP66; IP67;
Impact Resistance (EN 62262):	IK08;
Electrical insulation:	Totally insulated
Halogen free (DIN/VDE 0472, Part 815):	1
UV resistance:	UL 508
Flammability Rating:	UL 746C 5"
Glow Wire Test (IEC 695-2-1) °C:	960 °C
NEMA Class	

Certificates:

SGSFIMKO_PICC_pc