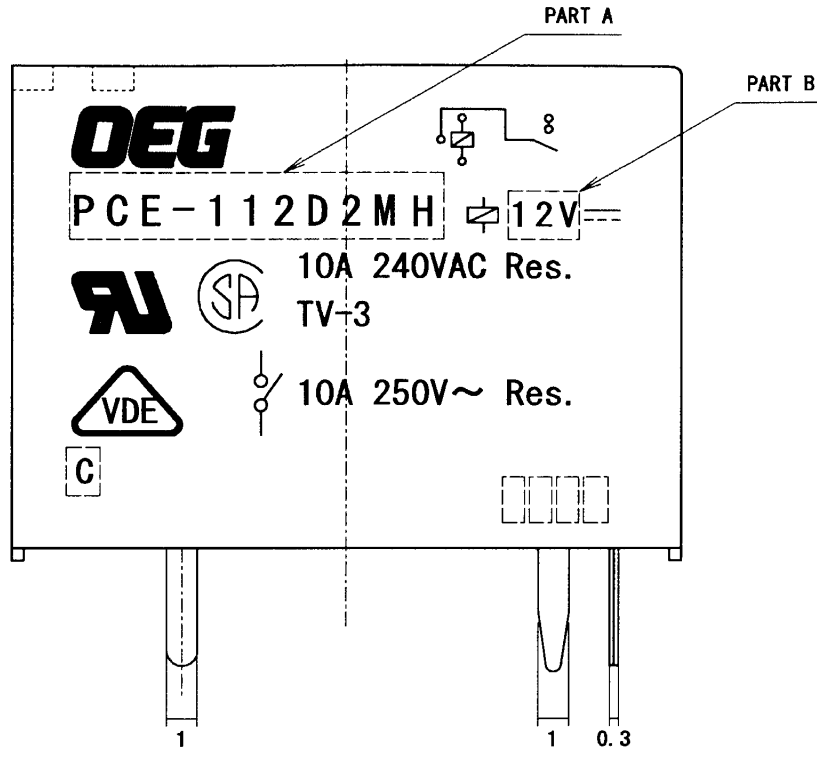
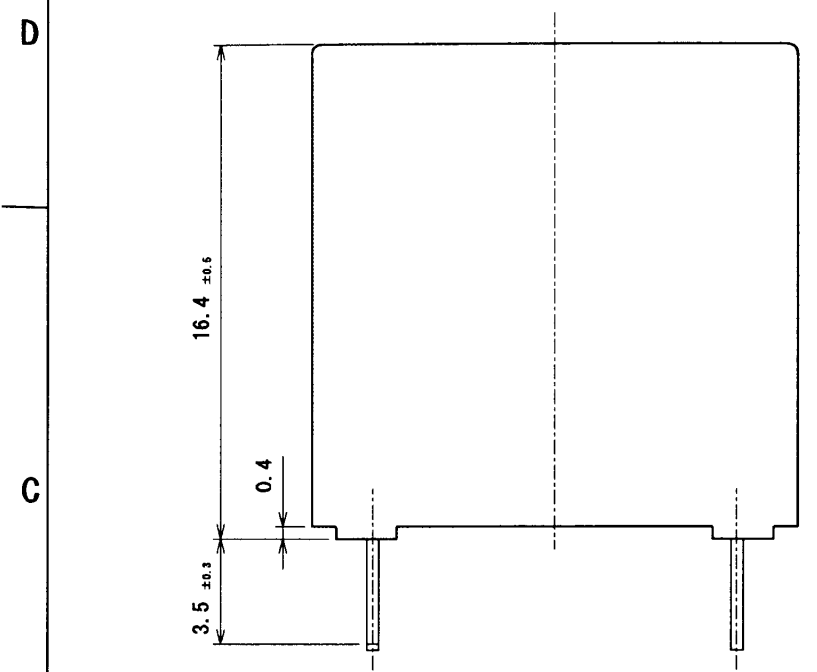
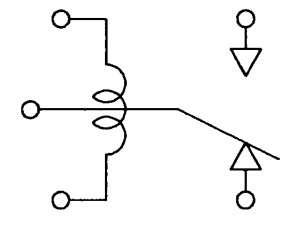


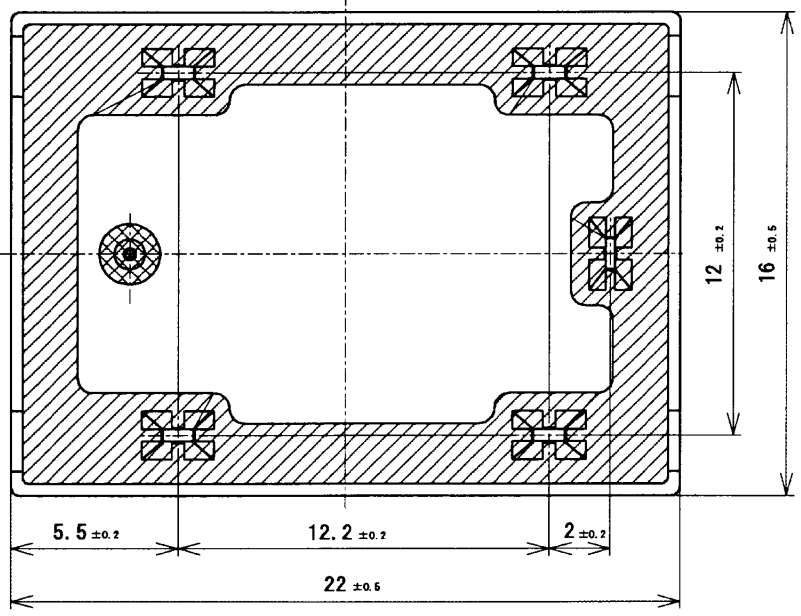
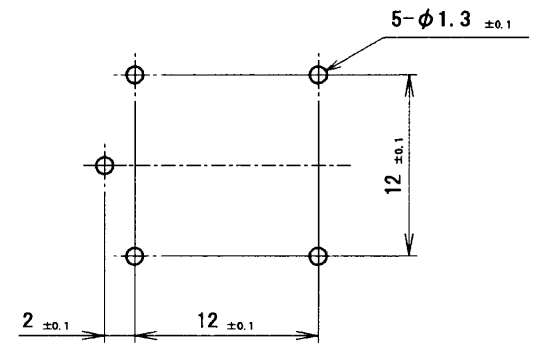
LOC HH	DIST	REVISIONS 変更						
		P	LTR	DESCRIPTION	ECN	DATE	DWN	APVD
			A1	ADD TYPE		11-NOV-03	H. S	A. N



CIRCUIT DIAGRAM (BOTTOM VIEW)
結線図 (底面図)



DRILLING DIAGRAM (BOTTOM VIEW)
基板加工図 (底面図)



NOTES:
1. Terminal dimension is before solder dip.
端子寸法は予備半田前の寸法。

Diagram dimension 作図寸法	Tolerance 公差
0.99mm max.	±0.1mm
1 - 2.99mm	±0.2mm
3mm min.	±0.3mm

THIS DRAWING IS A CONTROLLED DOCUMENT FOR TYCO ELECTRONICS CORPORATION IT IS SUBJECT TO CHANGE AND THE CONTROLLING ENGINEERING ORGANIZATION SHOULD BE CONTACTED FOR THE LATEST REVISION.		DWN H. SASAKI	Tyco Electronics EC K.K. Tochigi, Japan	
DIMENSIONS: 単位: 耗 mm		CHK N. FUNAYAMA		
TOLERANCES UNLESS OTHERWISE SPECIFIED:		APVD A. NAGAI	NAME 名称 PCE-105D2H, 000=RELAY CUSTOMER DRAWING	
0 PLC ± 1 PLC ± 2 PLC ± 3 PLC ± 4 PLC ± ANGLES ±		PRODUCT SPEC 製品規格 -	SIZE A3	CAGE CODE 00779
MATERIAL 材料 -		APPLICATION SPEC 取付適用規格 -	DRAWING NO. 番号 1419146-9	RESTRICTED TO -
FINISH 仕上 -		WEIGHT -	SCALE 尺度 4:1	
		CUSTOMER DRAWING		SHEET 1 OF 2
				REV A1

THIS DRAWING IS UNPUBLISHED.

RELEASED FOR PUBLICATION

© COPYRIGHT

BY TYCO ELECTRONICS CORPORATION. ALL RIGHTS RESERVED.

LOC

DIST

REVISIONS

変更

P	LTR	DESCRIPTION	ECN	DATE	DWN	APVD

PART NO	EC TYPE NAME	PART B	PART A	ITEM
1721092-1	PCE-105D2 ,000	5V	PCE-105D2	h
2-1419146-0	PCE-148D2H ,000	48V	PCE-148D2H	g
2-1419125-3	PCE-124D2H ,000	24V	PCE-124D2H	f
1-1440008-6	PCE-124D2 ,000	24V	PCE-124D2	e
1-1419146-3	PCE-112D2H ,000	12V	PCE-112D2H	d
1-1419146-1	PCE-109D2H ,000	9V	PCE-109D2H	c
8-1419124-7	PCE-106D2H ,000	6V	PCE-106D2H	b
1419146-9	PCE-105D2H ,000	5V	PCE-105D2H	a

RELAY TYPE

h	g	f	e	d	c	b	a	INCOMBUSTIBILITY	TREATMENT	MATERIAL	DESCRIPTION	ITEM
AR	AR	AR	AR	AR	AR	AR	AR	CLASS F		UV RESIN	UV SEAL	15
AR	AR	AR	AR	AR	AR	AR	AR			POLYURETHANE COPPER WIRE	MAGNETIC WIRE	14
AR	AR	AR	AR	AR	AR	AR	AR			EPOXY RESIN	SEAL	13
2	2	2	2	2	2	2	2			Cu ALLOY	COIL TERMINAL	12
1	1	1	1	1	1	1	1			Ag ALLOY	STATIONARY CONTACT	11
1	1	1	1	1	1	1	1			AG ALLOY	MOVABLE CONTACT	10
1	1	1	1	1	1	1	1			Cu ALLOY	NO TERMINAL	9
1	1	1	1	1	1	1	1			Cu ALLOY	NC TERMINAL	8
1	1	1	1	1	1	1	1			Cu ALLOY	MOVABLE SPRING	7
1	1	1	1	1	1	1	1	UL94 V-0		PBT	CASE	6
1	1	1	1	1	1	1	1	UL94 V-0		PET	BOBBIN	5
1	1	1	1	1	1	1	1	UL94 V-0		PET	BASE	4
1	1	1	1	1	1	1	1		Ni PLATED	STEEL	CORE	3
1	1	1	1	1	1	1	1		Ni PLATED	STEEL	ARMATURE	2
1	1	1	1	1	1	1	1		Ni PLATED	STEEL	YOKE	1

THIS DRAWING IS A CONTROLLED DOCUMENT FOR TYCO ELECTRONICS CORPORATION IT IS SUBJECT TO CHANGE AND THE CONTROLLING ENGINEERING ORGANIZATION SHOULD BE CONTACTED FOR THE LATEST REVISION.

DIMENSIONS: 単位: 寸 mm		TOLERANCES UNLESS OTHERWISE SPECIFIED: 0 PLC ± 1 PLC ± 2 PLC ± 3 PLC ± 4 PLS ± ANGLES ±		FINISH 仕上		DWN CHK APVD PRODUCT SPEC 製品規格 APPLICATION SPEC 取付適用規格 WEIGHT CUSTOMER DRAWING		tyco Tyco Electronics EC K.K. Electronics Tochigi, Japan NAME 名称 PCE-105D2H,000=RELAY CUSTOMER DRAWING				SIZE A3		CAGE CODE 00779		DRAWING NO 番号 1419146-9		RESTRICTED TO -	
SCALE 尺度 4:1						SHEET 2 OF 2		REV A1		CUSTOMER DRAWING									