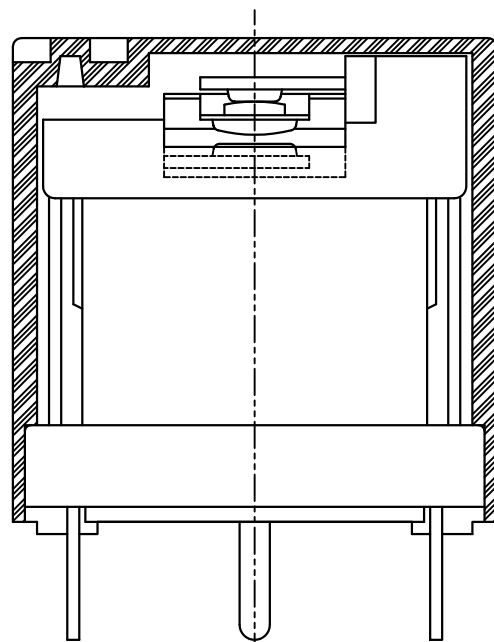
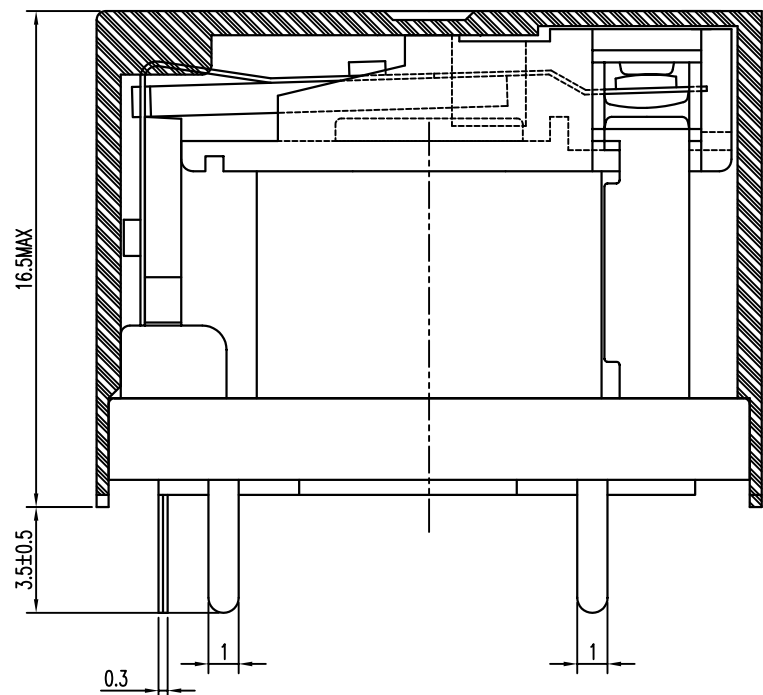
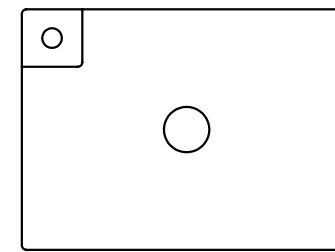


THIS DRAWING IS UNPUBLISHED. RELEASED FOR PUBLICATION
 © COPYRIGHT BY TYCO ELECTRONICS CORPORATION. ALL RIGHTS RESERVED.

LOC HB	DIST	REVISIONS						
		P	LTR	DESCRIPTION	ECN	DATE	DWN	APVD
			A1	ADD TYPE		11-NOV-03	H.S	A.N
			B1	ADD TYPE	ECO-06-011162	25-APR-06	HXL	HSU



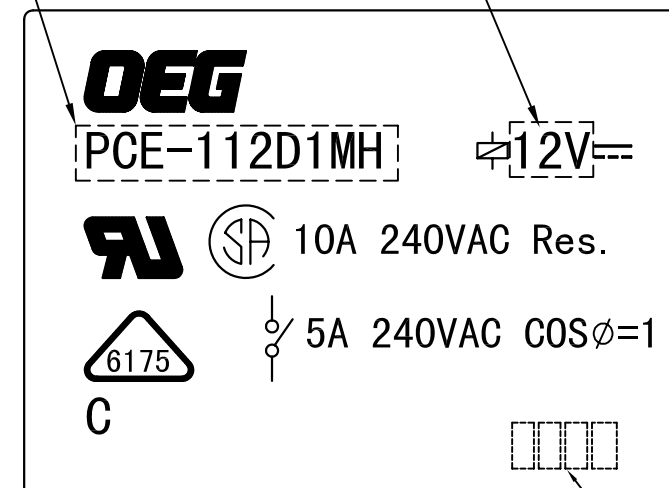
A ←



↑ STAMPING ASPECT

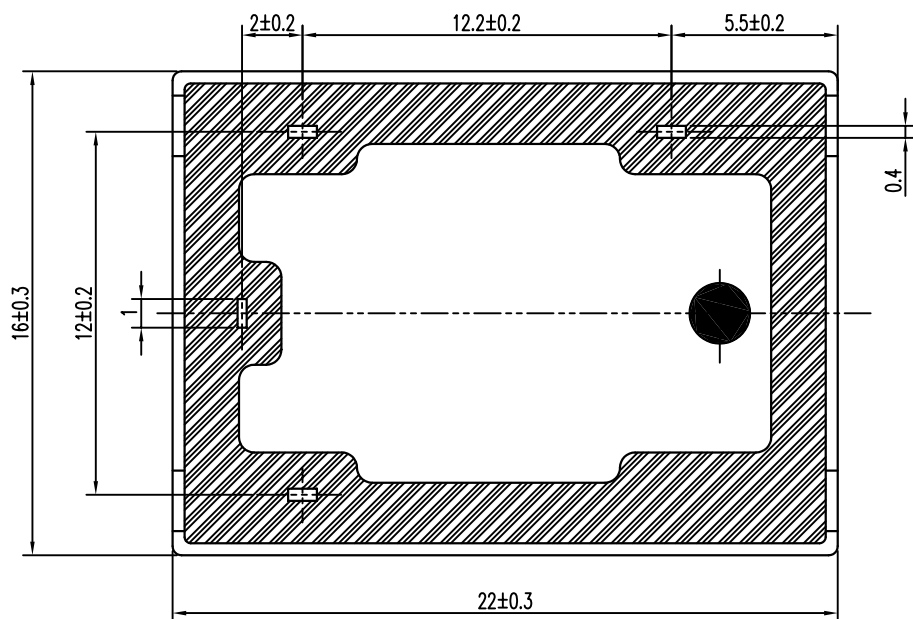
PART A

PART B



LOT NO.

VIEW A
(MARKING DETAIL)



THIS DRAWING IS A CONTROLLED DOCUMENT FOR TYCO ELECTRONICS CORPORATION IT IS SUBJECT TO CHANGE AND THE CONTROLLING ENGINEERING ORGANIZATION SHOULD BE CONTACTED FOR THE LATEST REVISION.		DWN	H.SASAKI		Tyco Electronics EC K.K. Tochigi, Japan
DIMENSIONS: mm		CHK	N.FUNAYAMA		
		APVD	A.NAGAI		PCE-112D1M,000 CUSTOMER DRAWING
TOLERANCES UNLESS OTHERWISE SPECIFIED:		PRODUCT SPEC			
0 PLC ± 1 PLC ± 2 PLC ± 3 PLC ± 4 PLC ±		APPLICATION SPEC			
MATERIAL SEE MATERIAL TABLE		WEIGHT			SIZE A3 GAGE CODE DRAWING NO. 1419125-1 RESTRIC TO
FINISH		CUSTOMER DRAWING		SCALE 2.5:1	SHEET 1 OF 2
				REV B1	

D
C
B
A

D
C
B
A

8 7 6 5 4 3 2 1

