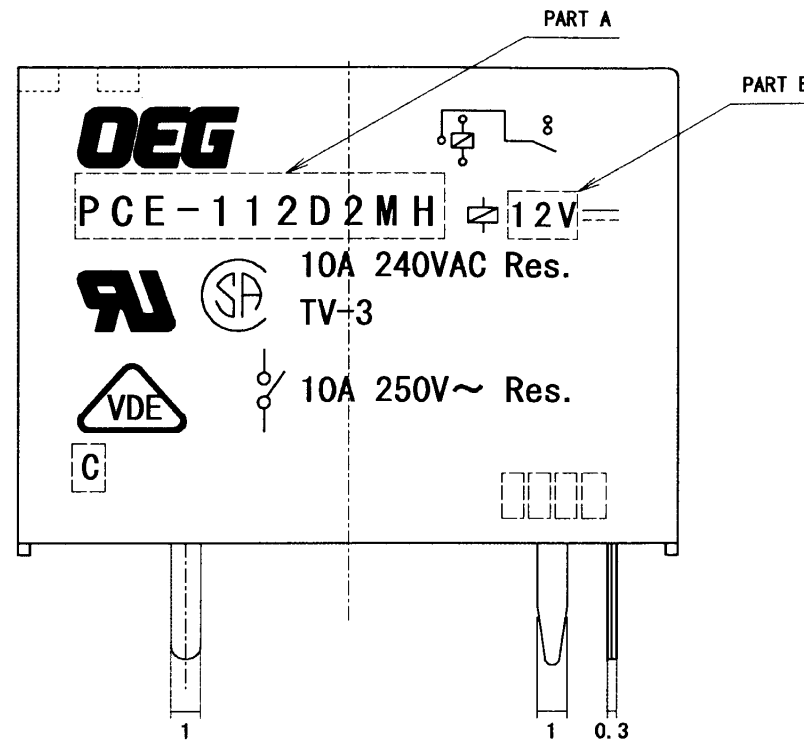
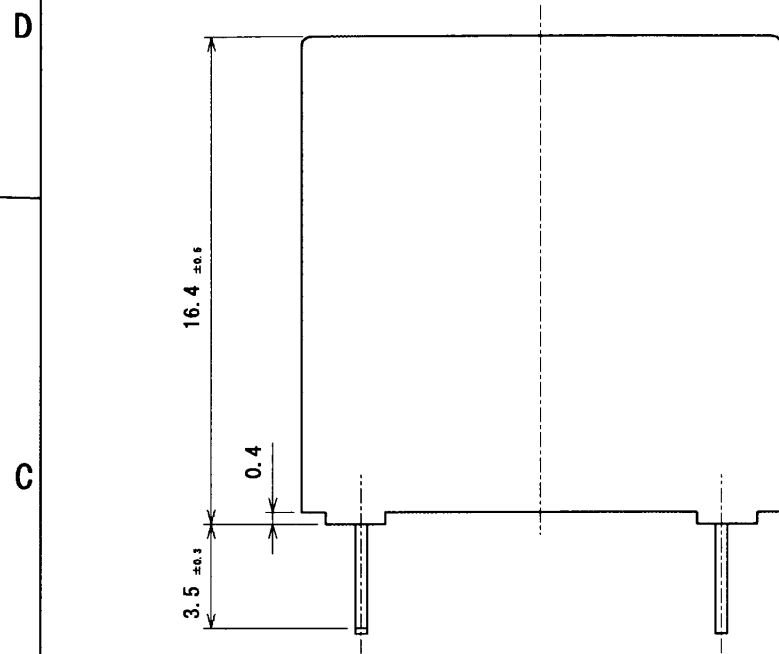
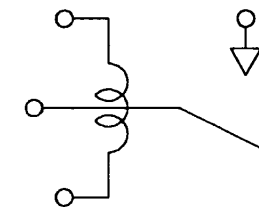


THIS DRAWING IS UNPUBLISHED. RELEASED FOR PUBLICATION
 © COPYRIGHT BY TYCO ELECTRONICS CORPORATION. ALL RIGHTS RESERVED.

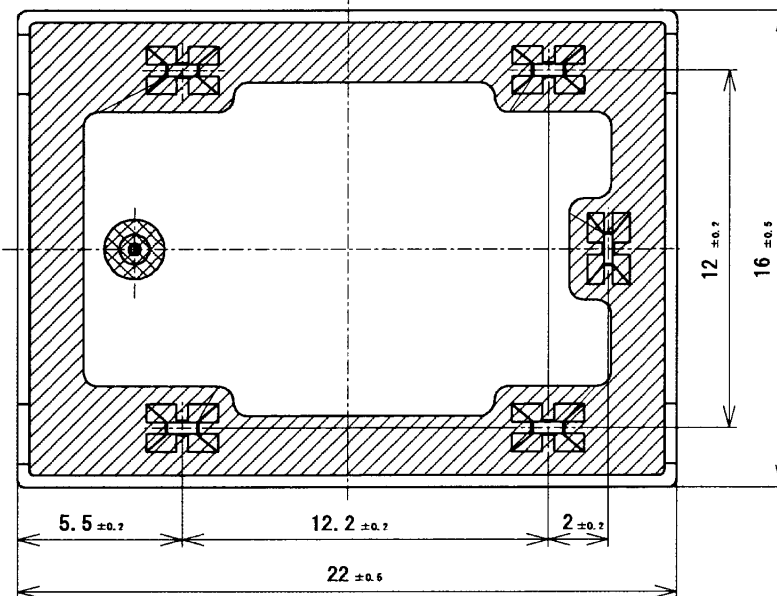
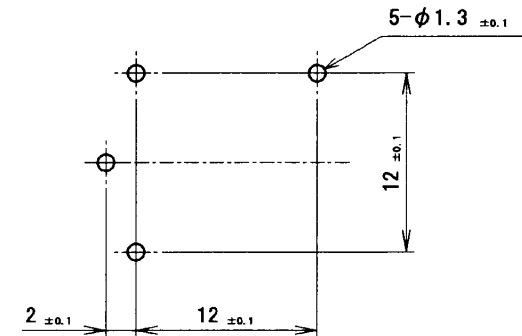
LOC	DIST	REVISIONS 変更						
		P	LTR	DESCRIPTION	ECN	DATE	DWN	APVD
HH		A		ADD TYPE		11-NOV-03	H.S	A.N



CIRCUIT DIAGRAM (BOTTOM VIEW)
結線図 (底面図)



DRILLING DIAGRAM (BOTTOM VIEW)
基板加工図 (底面図)



NOTES:
1. Terminal dimension is before solder dip.
端子寸法は予備半田前の寸法。

Diagram dimension 作図寸法	Tolerance 公差
0.99mm max.	±0.1mm
1 - 2.99mm	±0.2mm
3mm min.	±0.3mm

THIS DRAWING IS A CONTROLLED DOCUMENT FOR TYCO ELECTRONICS CORPORATION IT IS SUBJECT TO CHANGE AND THE CONTROLLING ENGINEERING ORGANIZATION SHOULD BE CONTACTED FOR THE LATEST REVISION.		DWN H. SASAKI	Tyco Electronics EC K.K. Tochigi, Japan	
DIMENSIONS: 単位: 概 mm		CHK N. FUNAYAMA		
TOLERANCES UNLESS OTHERWISE SPECIFIED:		APVD A. NAGAI	NAME 名称 PCE-112D2M, 000=RELAY CUSTOMER DRAWING	
0 PLC ±		PRODUCT SPEC 製品規格	SIZE A3	
1 PLC ±		APPLICATION SPEC 取付適用規格	CAGE CODE 00779	DRAWING NO 1419125-8
2 PLC ±		WEIGHT	RESTRICTED TO	
3 PLC ±		CUSTOMER DRAWING	SCALE 尺度 4:1	
4 PLC ±			SHEET 1 OF 2	
ANGLES ±		REV A		
MATERIAL 材料	FINISH 仕上			


THIS DRAWING IS UNPUBLISHED. RELEASED FOR PUBLICATION
 © COPYRIGHT BY TYCO ELECTRONICS CORPORATION. ALL RIGHTS RESERVED.

LOC	DIST	REVISIONS 変更						
		P	LTR	DESCRIPTION	ECN	DATE	DWN	APVD
HH								

PART NO	EC TYPE NAME	PART B	PART A	ITEM
1721092-2	PCE-105D2MH ,000	5V	PCE-105D2MH	e
1-1419146-4	PCE-112D2MH ,000	12V	PCE-112D2MH	d
1461140-2	PCE-148D2M ,000	48V	PCE-148D2M	c
1461140-1	PCE-124D2M ,000	24V	PCE-124D2M	b
1419125-8	PCE-112D2M ,000	12V	PCE-112D2M	a

RELAY TYPE

e	d	c	b	a	INCOMBUSTIBILITY	TREATMENT	MATERIAL	DESCRIPTION	ITEM
AR	AR						UV RESIN	UV SEAL	15
AR	AR	AR	AR	AR	CLASS F		POLYURETHANE COPPER WIRE	MAGNETIC WIRE	14
AR	AR	AR	AR	AR			EPOXY RESIN	SEAL	13
2	2	2	2	2			Cu ALLOY	COIL TERMINAL	12
1	1	1	1	1			Ag ALLOY	STATIONARY CONTACT	11
1	1	1	1	1			AG ALLOY	MOVABLE CONTACT	10
1	1	1	1	1			Cu ALLOY	NO TERMINAL	9
1	1	1	1	1			Cu ALLOY	DUMMY TERMINAL	8
1	1	1	1	1			Cu ALLOY	MOVABLE SPRING	7
1	1	1	1	1	UL94 V-0		PBT	CASE	6
1	1	1	1	1	UL94 V-0		PET	BOBBIN	5
1	1	1	1	1	UL94 V-0		PET	BASE	4
1	1	1	1	1		Ni PLATED	STEEL	CORE	3
1	1	1	1	1		Ni PLATED	STEEL	ARMATURE	2
1	1	1	1	1		Ni PLATED	STEEL	YOKE	1

THIS DRAWING IS A CONTROLLED DOCUMENT FOR TYCO ELECTRONICS CORPORATION IT IS SUBJECT TO CHANGE AND THE CONTROLLING ENGINEERING ORGANIZATION SHOULD BE CONTACTED FOR THE LATEST REVISION.		DWN CHK APVD PRODUCT SPEC 製品規格 APPLICATION SPEC 取付適用規格 WEIGHT CUSTOMER DRAWING		tyco Electronics Tyco Electronics EC K.K. Tochigi, Japan NAME 名称 PCE-112D2M,000=RELAY CUSTOMER DRAWING SIZE A3 CAGE CODE 00779 DRAWING NO 番号 1419125-8 RESTRICTED TO —	
DIMENSIONS: 単位: 毫 mm 	TOLERANCES UNLESS OTHERWISE SPECIFIED: 0 PLC ± 1 PLC ± 2 PLC ± 3 PLC ± 4 PLC ± ANGLES ±	MATERIAL 材料	FINISH 仕上	SCALE 尺度 4:1 SHEET 2 OF 2 REV A	