

Interactive Catalog Replaces Catalog Pages

Honeywell Sensing and Control has replaced the PDF product catalog with the new **Interactive Catalog**. The **Interactive Catalog** is a power search tool that makes it easier to find product information. It includes more installation, application, and technical information than ever before.



**Click this icon to try the new
Interactive Catalog.**

Sensing and Control

Honeywell Inc.

11 West Spring Street

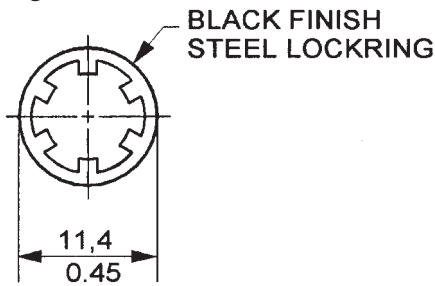
Freeport, Illinois 61032

ACCESSORIES SELECTION GUIDE

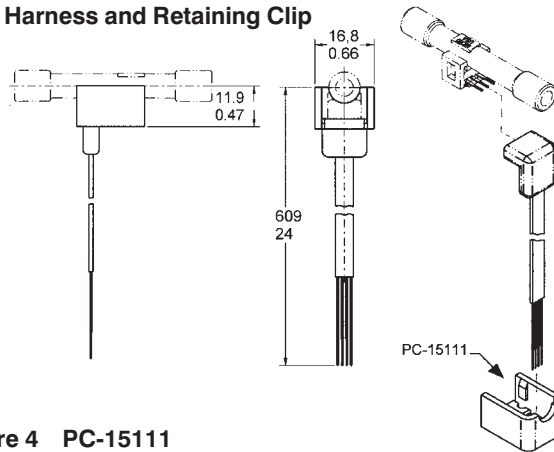
Catalog Listing	Description	Drawing
PC-10182	Steel locking (included with Port Style A, 1 x 4 terminals only) 22, 24, 26PC only	Figure 1
PC-15111	Cable retaining clip for large port Flow-Through sensor only	Figure 4
PC-15110	Single hole plastic bracket	Figure 3
PC-15015	Mounting bracket	Figure 6
PC-15132	Plastic Mounting bracket	Figure 5
20PCWHRC	Flow-Through wire harness and retaining clip	Figure 2
26PCBKT	Mounting bracket for large port Flow-Through sensor only	Figure 7
PC-15202	Mounting bracket for Luer Port	Figure 8
PC-15204	Mounting bracket for Straight Port	Figure 9

Unamplified

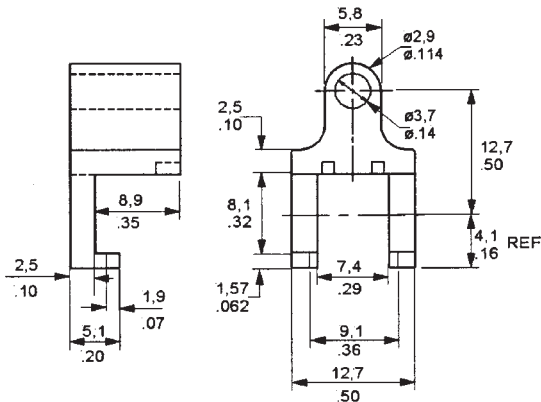
**Figure 1 PC-10182
Steel Lockring**



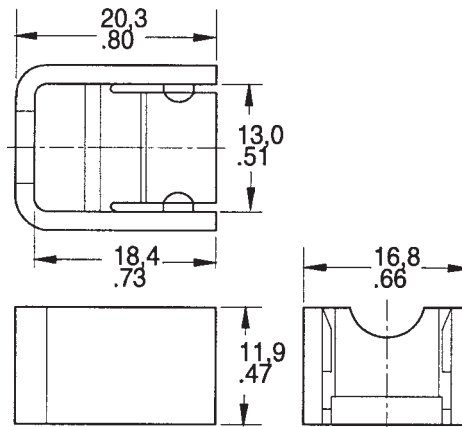
**Figure 2 20PCWHRC
Wire Harness and Retaining Clip**



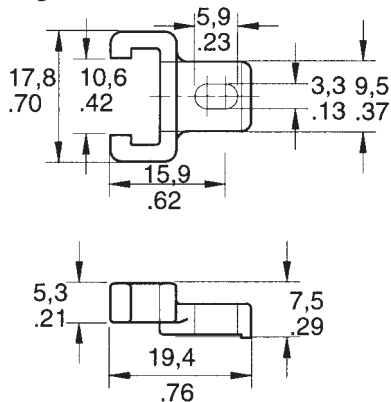
**Figure 3 PC-15110
Single Hole Plastic Bracket**



**Figure 4 PC-15111
Cable Retaining Clip**



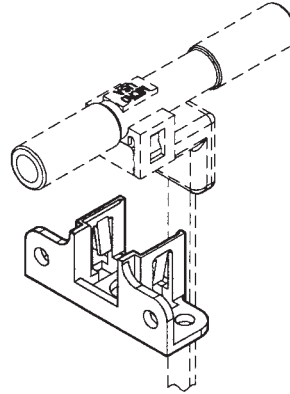
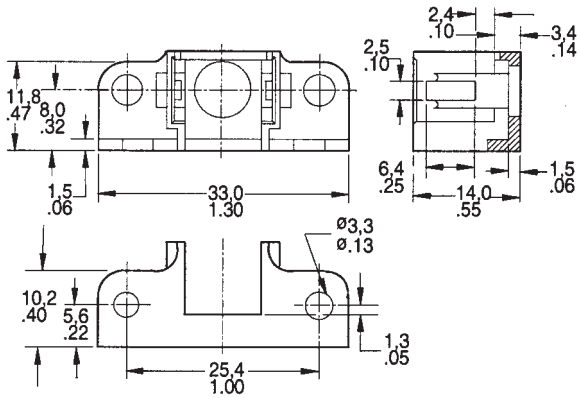
**Figure 5 PC-15132
Plastic Mounting Bracket**



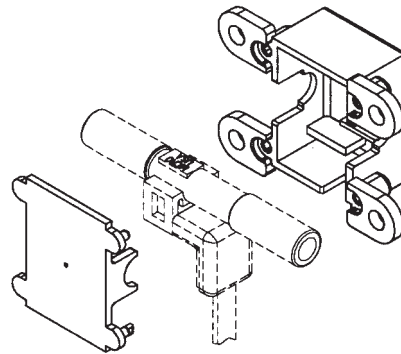
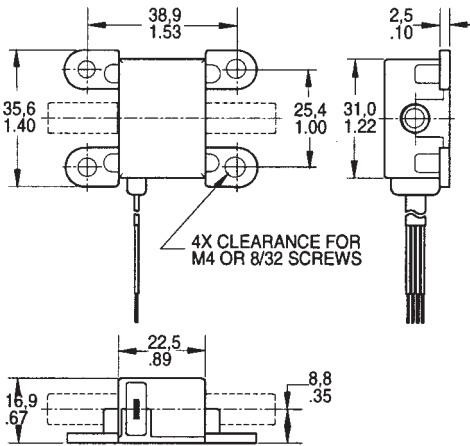
Pressure Sensors Accessories

22/24/26PC Series

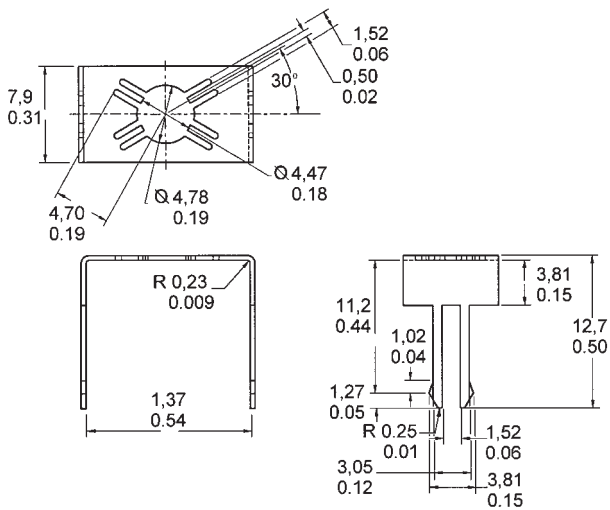
**Figure 6 PC-15015
Mounting Bracket**



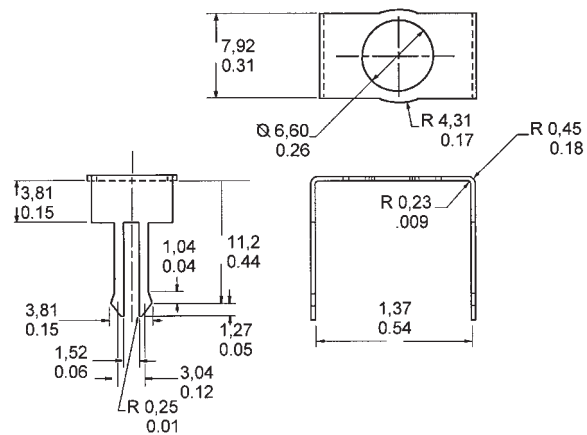
**Figure 7 26PCBKT
For use with N, P Large Ports**



**Figure 8 PC-15202
For use with C Luer Port**



**Figure 9 PC-15204
For use with A Straight Port**



Note: PC-15202 and PC-15204 are Printed Circuit Board mountable and solderable; designed to be used in a .063 thick PC Board with a recommended mounting hole size of $.125 \pm .005$ in.