

PART NAME	POTTING BOX (STYLE B)	PART No.	PB-1558-TF & PB-1559-TF / PB-1574-TF TO PB-1583-TF	REV. DATE	1-20-12
-----------	-----------------------	----------	--	-----------	---------

**MATERIAL:** ABS THERMOPLASTIC (CHI MEI POLYLAC PA-765)  
 FLAMMABILITY RATING OF 94V-0 AT 0.070" THICKNESS  
 AND CONTINUOUS USE TEMPERATURE OF 70° C.)

**COLOR:** BLACK

**FINISH:** OUTSIDE SURFACES ARE TEXTURED FINISH.

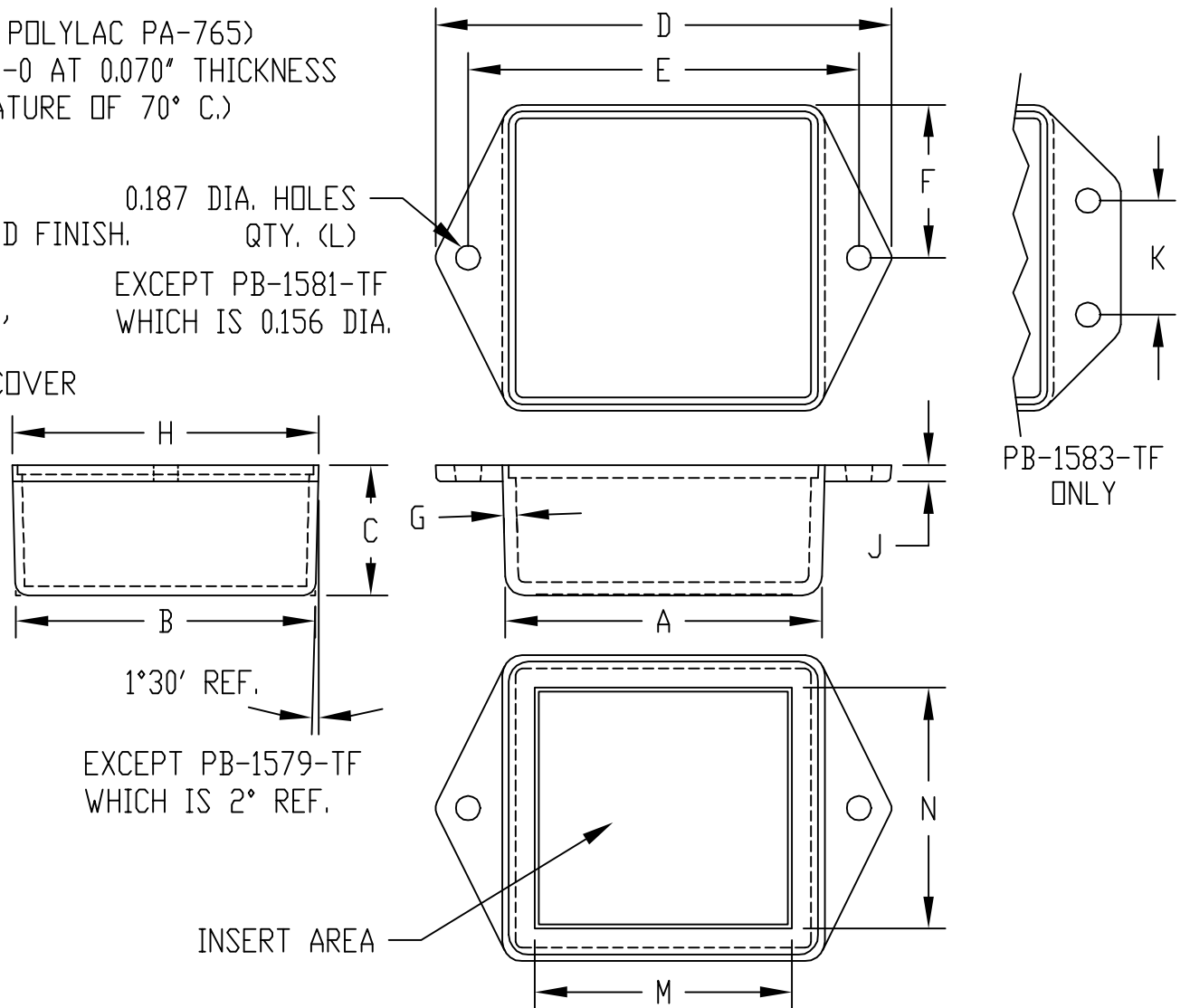
COVER REDUCES INSIDE HEIGHT BY 0.075,  
 EXCEPT ON PB-1577-TF COVER REDUCES  
 INSIDE HEIGHT BY 0.060 & PB-1583-TF COVER  
 REDUCES INSIDE HEIGHT BY 0.110.

ALL COVERS HAVE SMOOTH SURFACES.

LENGTH AND WIDTH DIMENSIONS ARE  
 TAKEN FROM CLOSED END OF THE BOX.  
 DIMENSIONS INCREASE SLIGHTLY AT  
 OPEN END DUE TO TAPER.

SHIPPED IN PACKAGES OF TEN (10).

ALL DIMENSIONS HAVE ±0.010 TOLERANCE



PART No.	A	B	C	D	E	F	G	H	J	K	L	M	N	OPTIONAL COVER
PB-1558-TF	2.000	1.500	1.000	2.875	2.500	0.776	0.070	1.552	0.125	----	(2)	----	----	PBC-1558-CN
PB-1559-TF	3.000	2.000	1.500	3.875	3.500	1.039	0.070	2.078	0.125	----	(2)	----	----	PBC-1575-C
PB-1574-TF	2.000	2.000	1.500	2.875	2.500	1.039	0.070	2.078	0.125	----	(2)	----	----	PBC-1574-C
PB-1575-TF	3.030	2.030	0.900	3.875	3.500	1.039	0.070	2.078	0.125	----	(2)	----	----	PBC-1575-C
PB-1576-TF	3.000	3.000	1.500	3.875	3.500	1.539	0.070	3.078	0.125	----	(2)	----	----	PBC-1576-C
PB-1577-TF	1.040	1.040	0.785	1.775	1.378	0.537	0.060	1.075	0.100	----	(2)	----	----	PBC-1577-C
PB-1578-TF	4.000	2.125	2.000	4.875	4.500	1.115	0.070	2.230	0.125	----	(2)	3.790	1.906	PBC-1578-C
PB-1579-TF	1.500	1.250	0.800	2.375	2.000	0.646	0.070	1.292	0.125	----	(2)	----	----	PBC-1579-C
PB-1580-TF	4.000	1.750	1.000	4.875	4.500	0.901	0.070	1.802	0.125	----	(2)	----	----	PBC-1580-C
PB-1581-TF	2.079	1.280	0.445	2.875	2.438	0.650	0.070	1.300	0.070	----	(2)	----	----	PBC-1581-C
PB-1582-TF	4.063	2.188	0.900	4.875	4.500	1.115	0.070	2.230	0.125	----	(2)	----	----	PBC-1578-C
PB-1583-TF	4.375	3.125	2.000	5.500	5.000	----	0.100	3.223	0.125	1.750	(4)	3.974	2.723	PBC-1583-C

PART NAME	POTTING BOX (STYLE C)	PART No.	PB-1549-BF, PB-1558-BF PB-1574-BF, PB-1576-BF & PB-1577-BF	REV. DATE	1-26-11
-----------	-----------------------	----------	---	-----------	---------

**MATERIAL:** ABS THERMOPLASTIC (CHI MEI POLYLAC PA-765)  
 FLAMMABILITY RATING OF 94V-0 AT 0.070" THICKNESS  
 AND CONTINUOUS USE TEMPERATURE OF 70° C.)

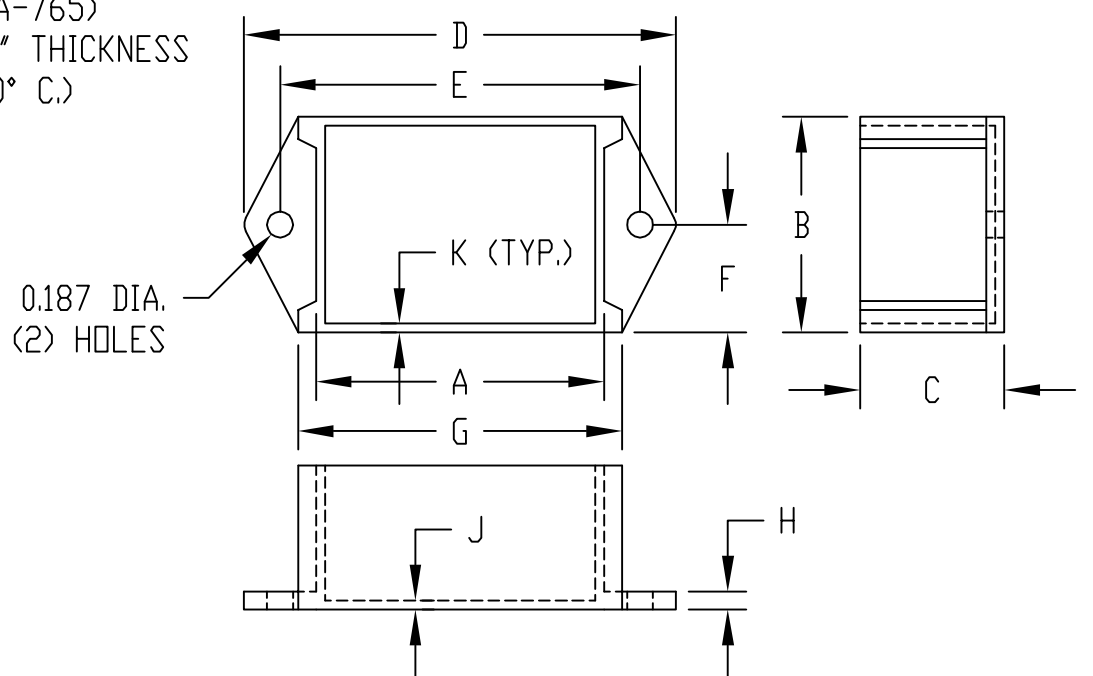
**COLOR:** BLACK  
**FINISH:** SMOOTH

COVER REDUCES INSIDE HEIGHT BY 0.100  
 EXCEPT ON PB-1574-BF, PB-1576-BF  
 & PB-1549-BF COVER REDUCES INSIDE  
 HEIGHT BY 0.094. ON PB-1577-BF COVER  
 REDUCES INSIDE HEIGHT BY 0.078.

ALL COVERS HAVE SMOOTH SURFACES.

SHIPPED IN PACKAGES OF TEN (10).

ALL DIMENSIONS HAVE ±0.010 TOLERANCE



PART No.	A	B	C	D	E	F	G	H	J	K	OPTIONAL COVER
PB-1549-BF	3.050	3.050	0.875	4.000	3.500	1.538	3.324	0.125	0.085	0.082	PBC-1576-CN
PB-1558-BF	2.000	1.500	1.000	3.000	2.500	0.750	2.250	0.125	0.063	0.063	PBC-1558-C
PB-1574-BF	2.000	2.000	1.500	3.000	2.500	1.000	2.300	0.125	0.063	0.050	PBC-1574-CN
PB-1576-BF	3.000	3.000	1.500	4.000	3.500	1.500	3.300	0.125	0.094	0.050	PBC-1576-CN
PB-1577-BF	1.000	1.000	0.750	1.875	1.375	0.500	1.250	0.090	0.063	0.045	PBC-1577-CN