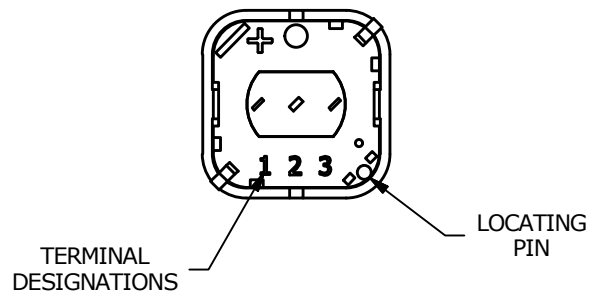
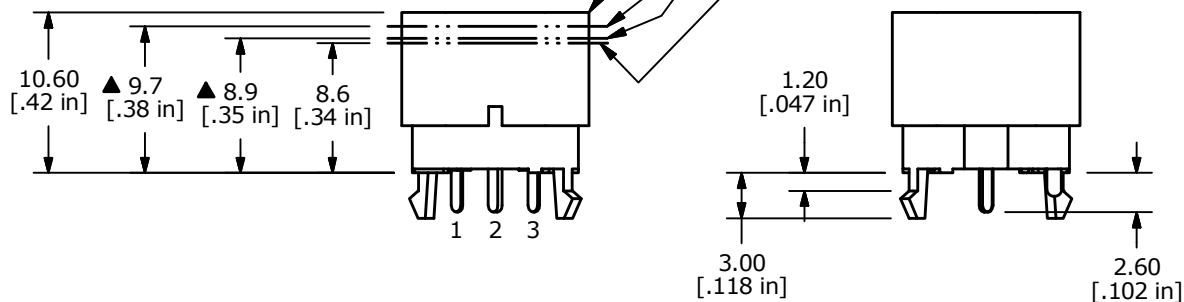


▲ SCHEMATIC
DUAL ACTION



NOTES:

1. ALL DIMENSIONS IN MM [INCH]
2. GENERAL TOLERANCE: X.X ± 0.4
X.XX ± 0.25
3. TERMINAL NUMBERS FOR REF. ONLY
4. RATING: 30mA @ 28VDC
- ▲ 5. OPERATING FORCE:
POSITION 2 OPERATING POINT: 600 ± 100gf
POSITION 3 OPERATING POINT: 1150 ± 150gf
FULL TRAVEL: 8.6mm
6. ELECTRICAL LIFE: 20,000 CYCLES
7. ▲ DENOTES CRITICAL PARAMETER
8. CONTACT MATERIAL: SILVER
9. 2002/95/EC (RoHS) COMPLIANT

C	22430	update Note 4	8/9/16	MW
B	22331	update schmatic and switch positions	5/26/16	MW
A	22255	New Release	4/4/16	rc
REV	PCR NO	DESCRIPTION	DATE	BY



TITLE PB300DTQ				
SCALE	DATE	DR	DWG	REV
2:1	3/22/2016	rc	T003001	C

THE INFORMATION CONTAINED IN THIS DOCUMENT IS PROPRIETARY TO E-SWITCH AND IS NOT TO BE COPIED OR TRANSFERRED