

PA Series

Sub-Miniature Pushbutton Switches

multicomp PRO

For PAS6 & PAS7 Series



**RoHS
Compliant**

Specifications

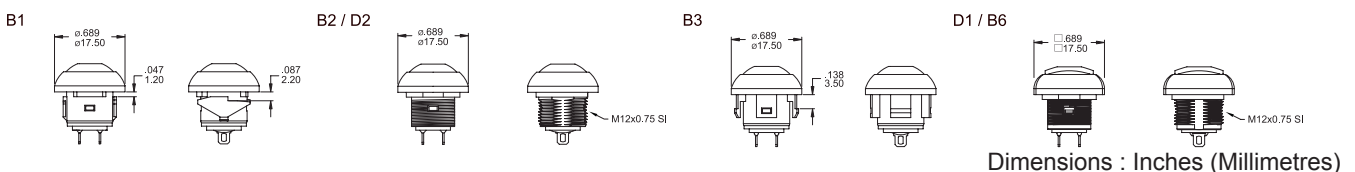
| | |
|---|--|
| Max. Current/Voltage Rating with Resistive Load | : 400mA 32V AC-100mA 50V DC-125mA 125V AC 500mA 48V AC - 200mA 50V DC - 200mA 250V AC for metal material |
| Initial Contact Resistance | : 50mΩ Max. |
| Insulation Resistance | : 1GΩ min. @ 500V DC |
| Dielectric Strength | : 1,000 VAC rms. 1,500 VAC rms. for metal material |
| Electrical Life at Full Load | : 500,000 cycles |
| Operating Temperature | : -30°C to 85°C |
| Panel Thickness | : B1 series : 0.8mm (0.031") min. ~ 1.8mm (0.071") max. B2 series : 1.5mm (0.059") min. ~ 4mm (0.157") max. B3 series : 3 ±0.25mm (0.118") |
| Total Travel | : 1.5mm(0.059") |
| Operating Force | : 2N ~ 5N |
| Contact Bounce | : 10ms |
| Mechanical Life | : 1,000,000 cycles |
| Torque | : 0.5Nm max. applied to nut, 1.5Nm max. for metal material |
| Soldering | : 350°C max. for 5 seconds |
| Lead Free | |
| Materials | |
| Case | : Diallyl phthalate (DAP) (UL94V-0) |
| Cap | : Polyamide 6/6 |
| Bushing | : Polyamide 6/6 |

Switch Function

| No. Poles | Model No. | Switch Function | | Connected Terminals | | Schematic |
|-----------|-----------|-----------------|----------|---------------------|--------|-----------|
| | | Pos. 1 | Pos. 2 | Pos. 1 | Pos. 2 | |
| SP | PAS6 | OFF | MOM | Open | 1-3 | |
| SP | PAS7 | ON | OFF(MOM) | 1-3 | Open | |

MOM = Momentary

Bushing Type



Newark.com/multicomp-pro
Farnell.com/multicomp-pro
Element14.com/multicomp-pro

multicomp PRO

PA Series Sub-Miniature Pushbutton Switches

multicomp PRO

Bushing Plating



Chromium



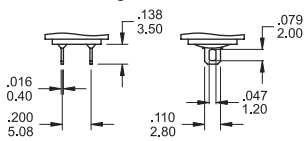
Stain-chromium



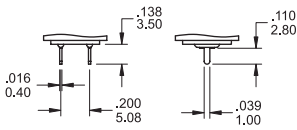
Stain-nickel

Termination Options

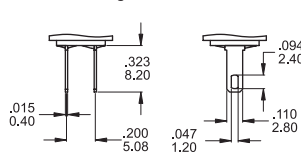
M1 Solder lug



M4 PC Thru-hole



M3 Solder lug

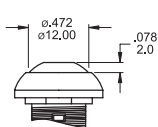


* Only for PAS6 model type, Non-LED

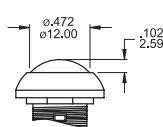
* Only for PAS6 model type, Non-LED

Cap Options

FLAT STD

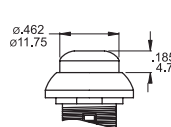


ROUND Non-LED



* Only for B1,B2,B3,D2 bushing type

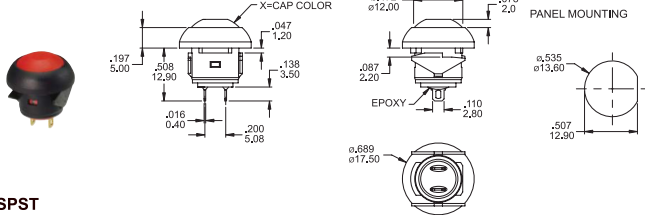
HIGH Non-LED



* Only for B2,D2 bushing and PAS6 model type

Dimensions

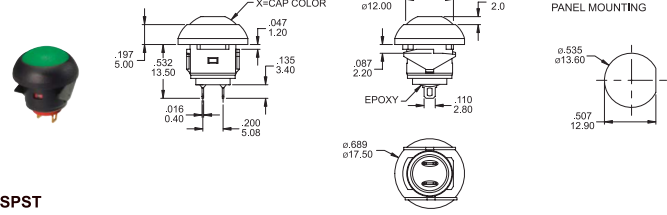
B1



SPST

Part No. Shown : PAS6XXXXXXXX-X

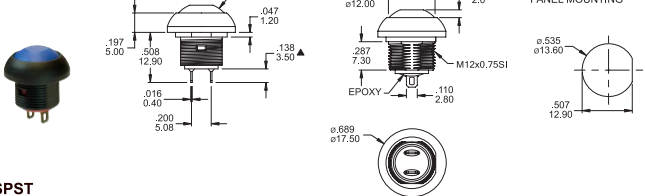
B1



SPST

Part No. Shown : PAS7XXXXXXXX-X

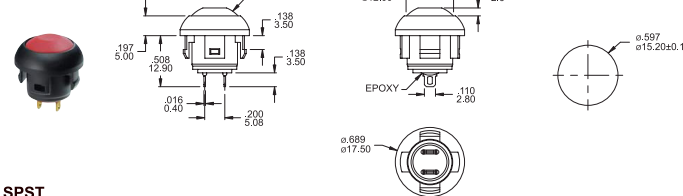
B2



SPST

Part No. Shown : PAS6XXXXXXXX-X

B3



SPST

Part No. Shown : PAS6XXXXXXXX-X


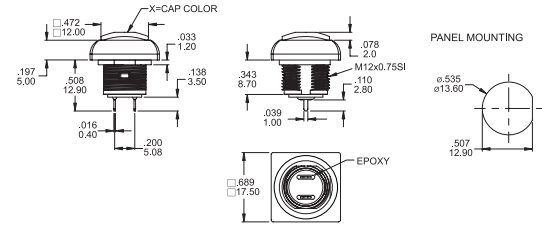

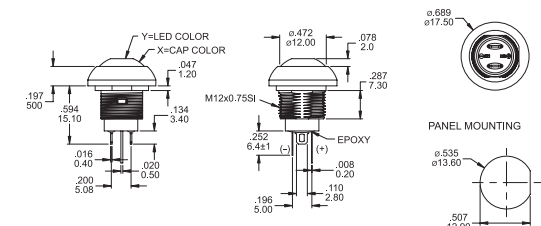

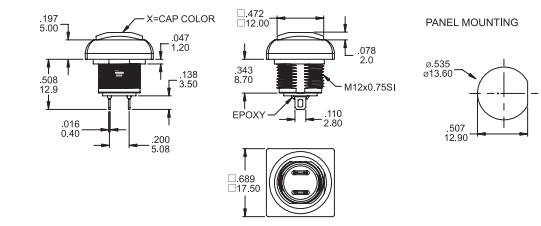

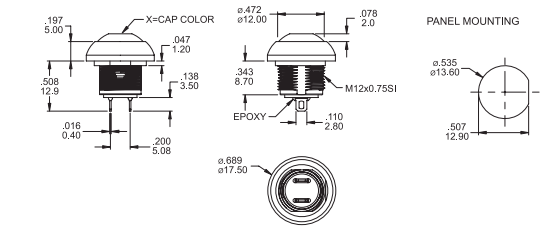

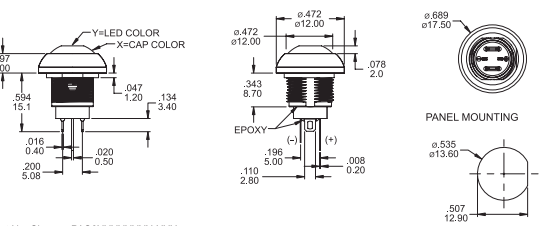

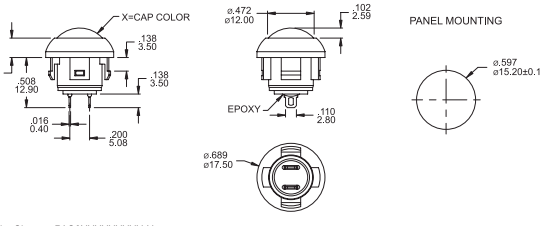

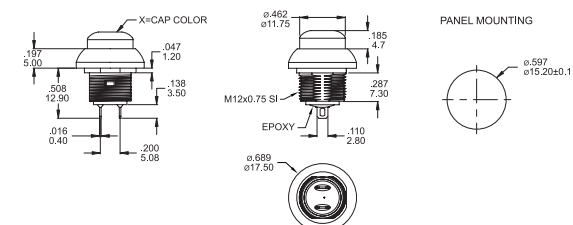
Dimensions : Inches (Millimetres)

Newark.com/multicomp-pro
Farnell.com/multicomp-pro
Element14.com/multicomp-pro

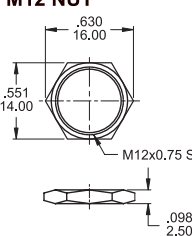
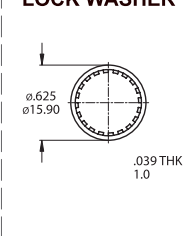
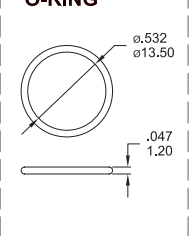
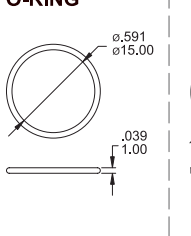
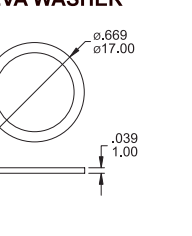
multicomp PRO

PA Series Sub-Miniature Pushbutton Switches

multicomp PRO

| | | | | |
|---|---|---|--|---|
| <p>B6</p>  <p>SPST</p> <p>Part No. Shown : PAS6XXXXXXX-X</p> |  <p>PANEL MOUNTING</p> <p>EPOXY</p> | <p>B2</p>  <p>SPST</p> <p>Part No. Shown : PAS6XXXXXXX-XXX</p> |  <p>PANEL MOUNTING</p> <p>EPOXY</p> | |
| <p>D1</p>  <p>SPST</p> <p>Part No. Shown : PAS6XXXXXXX-X</p> |  <p>PANEL MOUNTING</p> <p>EPOXY</p> | <p>D2</p>  <p>SPST</p> <p>Part No. Shown : PAS6XXXXXXX-X</p> |  <p>PANEL MOUNTING</p> <p>EPOXY</p> | |
| <p>D2</p>  <p>SPST</p> <p>Part No. Shown : PAS6XXXXXXX-XXX</p> |  <p>PANEL MOUNTING</p> <p>EPOXY</p> | <p>B3</p>  <p>SPST</p> <p>Part No. Shown : PAS6XXXXXXX-X</p> |  <p>PANEL MOUNTING</p> <p>EPOXY</p> | |
| <p>B2</p>  <p>SPST</p> <p>Part No. Shown : PAS6XXXXXXX-X</p> | | | |  <p>PANEL MOUNTING</p> <p>EPOXY</p> |

Hardware

| | | | | |
|---|---|--|---|---|
| <p>M12 NUT</p>  | <p>LOCK WASHER</p>  <p>Supplied with B2 / D1 / D2 bushing</p> | <p>O-RING</p>  <p>Supplied with PAL6 and D1 / D2 options</p> | <p>O-RING</p>  <p>Supplied standard with B3 options</p> | <p>EVA WASHER</p>  <p>Supplied standard with B1 / B2 options</p> |
|---|---|--|---|---|

Dimensions : Inches (Millimetres)

Newark.com/multicomp-pro
Farnell.com/multicomp-pro
Element14.com/multicomp-pro

multicomp PRO

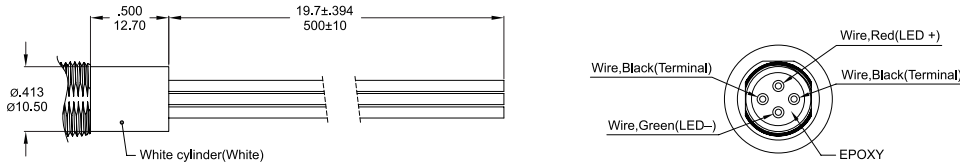
PA Series Sub-Miniature Pushbutton Switches

multicomp PRO

Wire

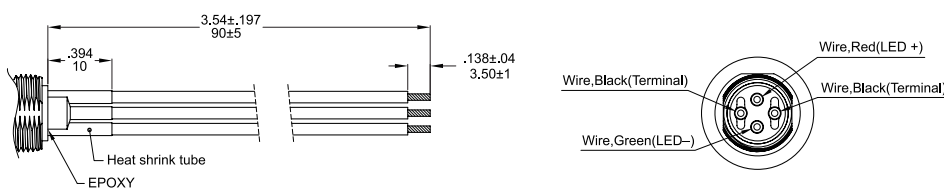
L1 Wire length: 500mm

Multi-wire lead AWG20, section 0.6mm², UL approved. (Black / Green / Red)



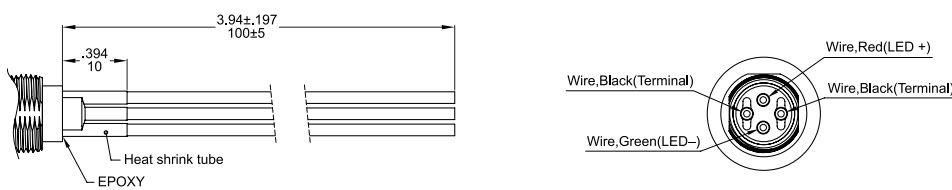
L2 Wire length: 90mm

Multi-wire lead AWG20, section 0.6mm², UL approved. (Black / Green / Red)



L3 Wire length: 100mm

Multi-wire lead AWG20, section 0.6mm², UL approved. (Black / Green / Red)



Rubber - Hood

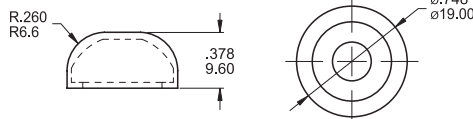
Transparent cap



Black cap



Dimensions



Dimensions : Inches (Millimetres)

Soldering Processes

Manual Soldering : Use soldering iron of 30 watt, controlled at 350°C approximately 5 seconds while applying solder.

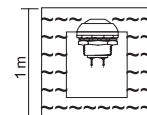
Wave Soldering

Recommended Soldering

Temperature : 260 \pm 5°C

Duration of Solder Immersion : Max 5 sec.
(PCB is 1.6mm in thickness)

IP 67 for the whole series:
Protected against the effects of immersion up to 1 m water(30mn)



Newark.com/multicomp-pro
Farnell.com/multicomp-pro
Element14.com/multicomp-pro

multicomp PRO

PA Series Sub-Miniature Pushbutton Switches

multicomp PRO

For PAL6 Series



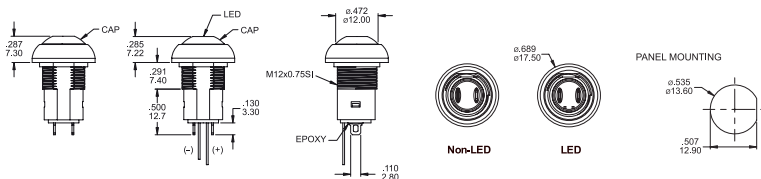
Specifications

| | |
|--|---|
| Max. Current/Voltage Rating with Resistive Load | : 100mA 24V DC-life expectancy 200,000 cycles 2A 125V AC life expectancy 10,000 cycles |
| Initial Contact Resistance | : 50mΩ Max. |
| Insulation Resistance | : 1GΩ min. @ 500V DC |
| Dielectric Strength | : 1,000 V ACrms |
| Electrical Life at Full Load | : 200,000 cycles |
| Operating Temperature | : -30°C to 85°C |
| Panel Thickness | : 1.5mm (0.059") min. ~ 4mm (0.157") max. |
| Total Travel | : 2.5mm(0.098") |
| Operating Force | : 2N ~ 5N |
| Contact Bounce | : 10ms |
| Mechanical Life | : 1,000,000 cycles |
| Torque | : 0.5Nm max. applied to nut |
| Soldering | : 350°C max. for 5 seconds |
| Lead Free | |

Switch Function

| Model No. | Switch Function | |
|-------------|-----------------|--------|
| | Pos. 1 | Pos. 2 |
| PAL6 | OFF | ON |
| Term. COMM. | OPEN | 1-3 |
| Schematic | | |

Dimensions



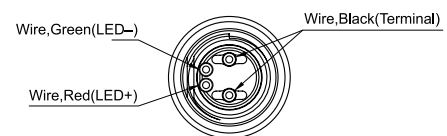
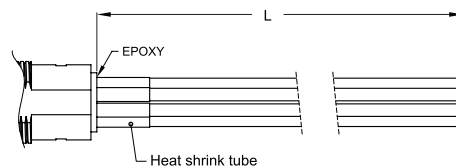
Additional Hardware

1. M12 × 0.75 Nuts
2. Locking Washer
3. O-Ring

Wire

Multi-wire lead AWG20, section 0.6mm², UL approved. (Black / Green / Red)

L = Wire length
Code: L1 = 500mm
Code: L2 = 90mm
Code: L3 = 100mm



Dimensions : Inches (Millimetres)

Newark.com/multicomp-pro
Farnell.com/multicomp-pro
Element14.com/multicomp-pro

multicomp PRO

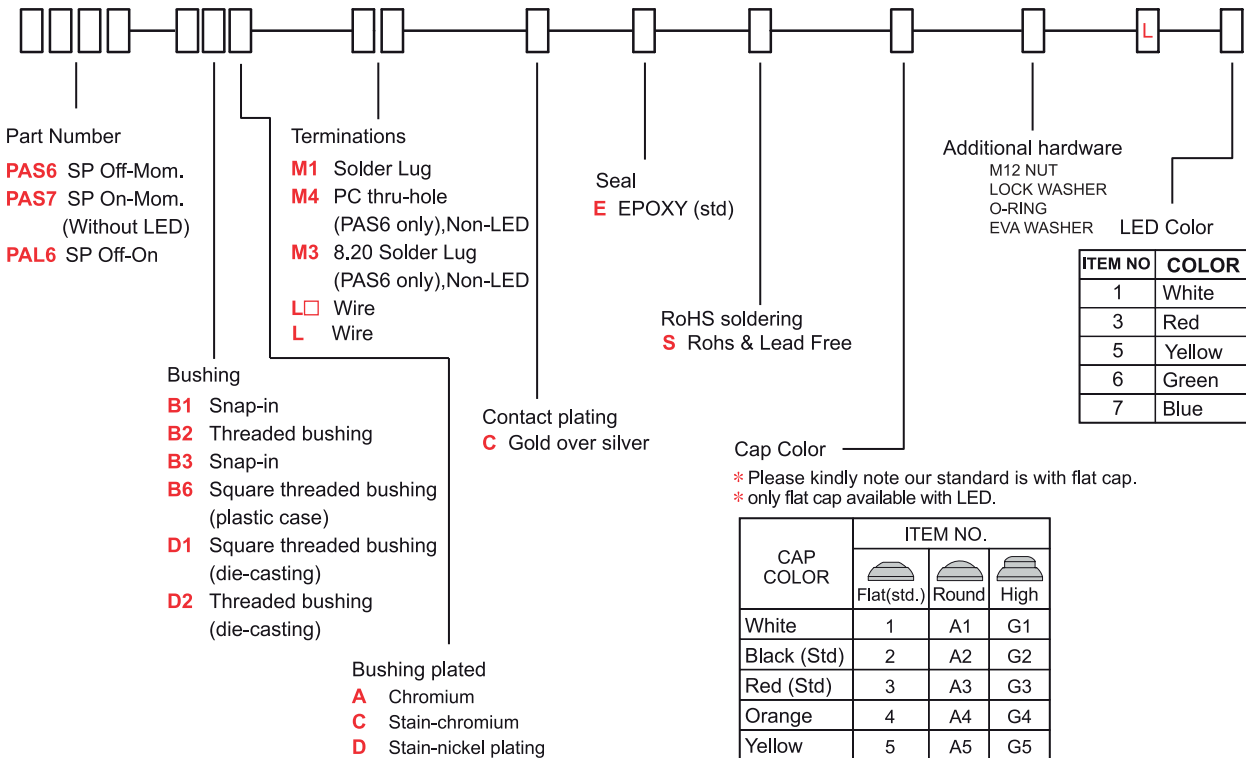
PA Series

Sub-Miniature Pushbutton Switches



Part Number Explanation

SERIES NO. BUSHING TERMINATIONS CONTACT PLATING SEAL RoHS SOLDERING CAP COLOR ADDITIONAL HARDWARE LED LED COLOR



* Please kindly note our standard is with flat cap.
 * only flat cap available with LED.

| CAP COLOR | ITEM NO. | | |
|-------------|------------|-------|------|
| | Flat(std.) | Round | High |
| White | 1 | A1 | G1 |
| Black (Std) | 2 | A2 | G2 |
| Red (Std) | 3 | A3 | G3 |
| Orange | 4 | A4 | G4 |
| Yellow | 5 | A5 | G5 |
| Green | 6 | A6 | G6 |
| Blue | 7 | A7 | G7 |

* Besides standard color, other colors need to check stocks available.

Important Notice : This data sheet and its contents (the "Information") belong to the members of the AVNET group of companies (the "Group") or are licensed to it. No licence is granted for the use of it other than for information purposes in connection with the products to which it relates. No licence of any intellectual property rights is granted. The Information is subject to change without notice and replaces all data sheets previously supplied. The Information supplied is believed to be accurate but the Group assumes no responsibility for its accuracy or completeness, any error in or omission from it or for any use made of it. Users of this data sheet should check for themselves the Information and the suitability of the products for their purpose and not make any assumptions based on information included or omitted. Liability for loss or damage resulting from any reliance on the Information or use of it (including liability resulting from negligence or where the Group was aware of the possibility of such loss or damage arising) is excluded. This will not operate to limit or restrict the Group's liability for death or personal injury resulting from its negligence. Multicomp Pro is the registered trademark of Premier Farnell Limited 2019.

Newark.com/multicomp-pro
 Farnell.com/multicomp-pro
 Element14.com/multicomp-pro

