



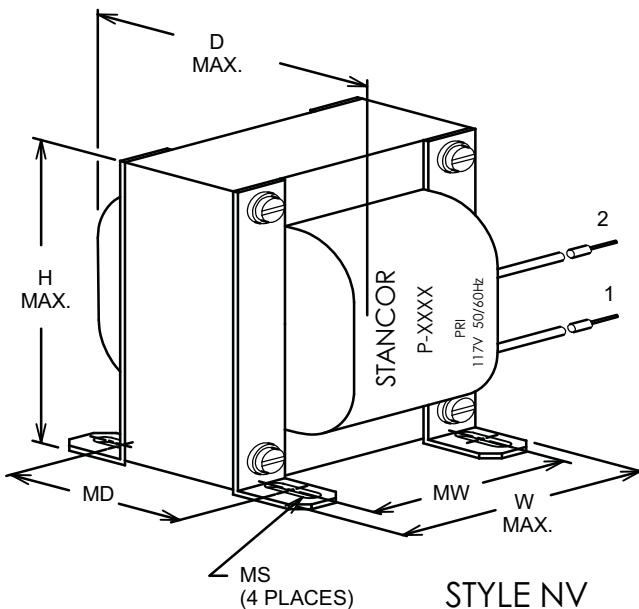
| <b>⚠ WARNING</b>  |   |
|---|---|
|  | <p style="text-align: center;"><b>ELECTROCUTION HAZARD</b></p> <p>Disconnect electric power to system at main fuse or circuit breaker box before servicing. Failure to do so could result in death or serious injury.</p> |
|  | <p style="text-align: center;"><b>FIRE HAZARD</b></p> <p>Do not exceed transformer ratings. Higher voltage may damage control and could cause personal injury or property damage.</p>                                     |

### SPECIFICATIONS:

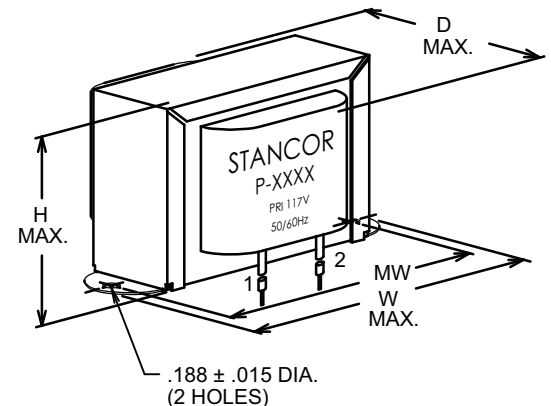
|                      |  |
|----------------------|--|
| INPUT:               | 117 V, 50/60Hz                                       |
| OUTPUT:              | 36V CT: SEE OUTPUT AMP RATING & VA CAPACITY IN TABLE |
| INSULATION RATING:   | CLASS A (105°C)                                      |
| TEMPERATURE RISE:    | 65°C RISE ABOVE 40°C AMBIENT                         |
| DIELECTRIC STRENGTH: | 1500 VRMS  |

### NOTE:

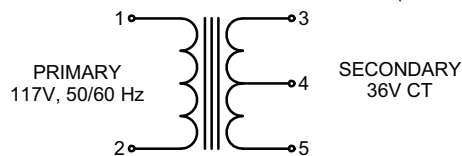
1. Primary leads Black, #22 AWG.
2. All leads 8" long minimum.



STYLE NV



STYLE A



SCHMATIC DIAGRAM

| STANCOR Part No. | Sec. Curr. | VA Cap. | Sec. Lead Wires |     |     |     | Mtg. Style | Dimensions - Inches |      |      |      |      |             | Wt. Lbs. |
|------------------|------------|---------|-----------------|-----|-----|-----|------------|---------------------|------|------|------|------|-------------|----------|
|                  |            |         | Color           |     |     | #5  |            | #22                 | H    | W    | D    | MW   | MD          |          |
| #3               | #4 (CT)    | #5      | Awg             | H   | W   |     | D          |                     |      |      |      |      |             | MW       |
| P-8611           | .135A      | 4.9     | BLU             | YEL | BLU | #22 | A          | 1.44                | 2.44 | 1.50 | 2.00 | -    | -           | 0.35     |
| P-8612           | .30A       | 10.8    | BLU             | YEL | BLU | #22 | A          | 1.75                | 2.88 | 1.62 | 2.38 | -    | -           | 0.60     |
| P-8613           | .55A       | 19.8    | GRN             | YEL | GRN | #22 | A          | 2.06                | 3.31 | 2.00 | 2.81 | -    | -           | 1.00     |
| P-8671           | 1.0A       | 36.0    | BLU             | YEL | BLU | #22 | A          | 2.38                | 3.75 | 2.38 | 3.12 | -    | -           | 2.00     |
| P-8672           | 2.0A       | 72.0    | GRN             | YEL | GRN | #22 | NV         | 3.56                | 2.88 | 2.88 | 2.25 | 2.13 | .188 X .312 | 3.50     |
| P-8673           | 4.0A       | 144.0   | GRN             | YEL | GRN | #18 | NV         | 4.38                | 3.56 | 3.19 | 2.75 | 2.38 | .188 X .312 | 6.00     |
| P-8674           | 6.0A       | 216.0   | GRN             | YEL | GRN | #18 | NV         | 4.69                | 3.81 | 3.62 | 3.06 | 2.47 | .203 X .500 | 8.30     |