



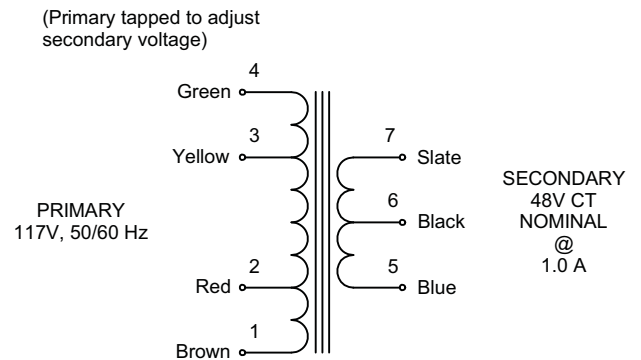
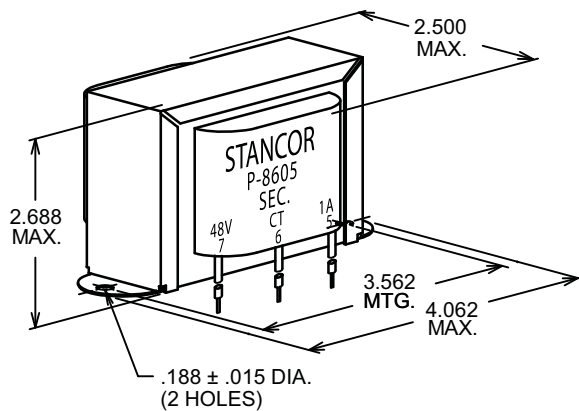
⚠ WARNING	
	<p style="text-align: center;">ELECTROCUTION HAZARD</p> <p>Disconnect electric power to system at main fuse or circuit breaker box before servicing. Failure to do so could result in death or serious injury.</p>
	<p style="text-align: center;">FIRE HAZARD</p> <p>Do not exceed transformer ratings. Higher voltage may damage control and could cause personal injury or property damage.</p>

SPECIFICATIONS:

INPUT:	117 V, 50/60Hz
OUTPUT:	Nominal: 48V CT
	-6%: 45V CT
	+6%: 51V CT
	+12%: 54V CT
INSULATION RATING:	CLASS A (105°C)
TEMPERATURE RISE:	65°C RISE ABOVE 40°C AMBIENT
DIELECTRIC STRENGTH:	2500 VRMS

NOTE:

1. All leads #22 AWG, 8" minimum length.
2. Unit wt. - 2.3 Lbs.
3. See Table A for secondary voltages.



SCHEMATIC DIAGRAM

TABLE A

Pri Input 117V 50/60Hz	Secondary Voltage @ (1.0 A)
2 - 4	Nominal: 48V CT
1 - 4	-6%: 45V CT
1 - 3	+6%: 51V CT
2 - 3	+12%: 54V CT