

| P/N | INTERFACE(S) | (Ø A) | (Ø B) | (C) | FIGURE(S) |
|-------|----------------|-------|--------|------|-----------|
| -1CC | LIMITED DETENT | .120 | (.218) | .079 | 2 |
| -2CC | FULL DETENT | .116 | (.218) | .079 | 2 |
| -3CC | SMOOTH BORE | .125 | (.218) | .079 | 2 |
| -4CC | CATCHERS MITT | .125 | (.235) | .079 | 1 |
| -5CC | FULL DETENT | .116 | (.218) | .100 | 2 |
| -6CC | LIMITED DETENT | .120 | (.218) | .100 | 2 |
| -7CC | SMOOTH BORE | .125 | (.218) | .100 | 2 |
| -8CC | CATCHERS MITT | .125 | (.235) | .100 | 1 |
| -9CC | FULL DETENT | .116 | (.218) | .140 | 2 |
| -10CC | LIMITED DETENT | .120 | (.218) | .140 | 2 |
| -11CC | SMOOTH BORE | .125 | (.218) | .140 | 2 |
| -12CC | CATCHERS MITT | .125 | (.235) | .140 | 1 |

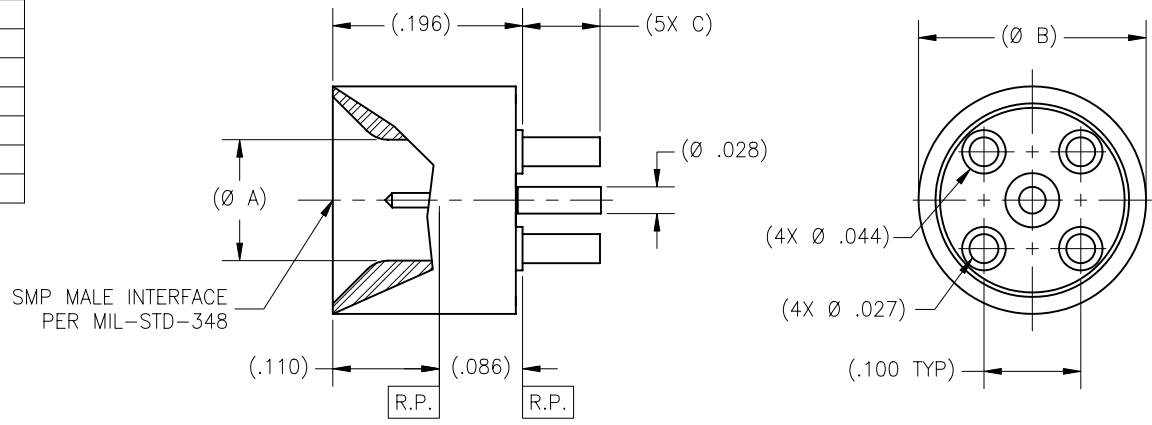


FIGURE 1

| REVISIONS | | | |
|-----------|----------------------|----------|-------|
| REV | DESCRIPTION | DATE | BY |
| H | ECO 12860 | 03/02/01 | HDB |
| J | ECO 13666 | 09.11.01 | P.MAO |
| K | ECO 26081 (ADD SPEC) | 08.15.12 | DKN |

| MATERIAL(S): | ELECTRICAL: | MECHANICAL: | ENVIRONMENTAL: |
|---|--|---|--|
| Body: 303 sst per ASTM A-582. Insert: Brass C360 per ASTM B-16. Center Conductor: BeCu alloy per ASTM B-196. Dielectric: PTFE per ASTM D-1071. | Impedance: 50 Ohms nominal. Frequency Range: DC to 12.0 GHz. VSWR: 1.35:1 max to 12.0 GHz. Insertion Loss: .10 dB max to 12.0 GHz. Working Voltage: 335 Vrms max @ sea level. Dielectric Withstanding Voltage: 500 Vrms min. R.F. HiPot Voltage: 325 Vrms min @ 5MHz. Corona Level: 190 Vrms @ 70,000 ft. Insulation Resistance: 5000 MegOhms min. Contact Resistance: Center Contact: 6.0 Milliohm max. Outer Contact: 2.0 Milliohm max. R.F. Leakage: -(90 - fGHz) dB. | Mating Characteristics: Interface per Mil-Std-348. Center Contact Retention: 1.5 lbs Min Axial N/A Radial Force to Engage: (Max) Full Detent 15 lbs Limited Detent 10 lbs Smooth Bore 2 lbs Catchers Mitt 2 lbs Force to Disengage: (Min) Full Detent 5 lbs Limited Detent 2 lbs Smooth Bore .5 lbs Catchers Mitt .5 lbs Connector Durability: Depend on Detent Permeability: Less than 2.0 MU | Temperature Range: -65°C to +165°C. Thermal Shock: Mil-Std-202, Method 107, Test Cond. B. Moisture Resistance: Mil-Std-202, Method 106, except step 7b shall be omitted. Insulation resistance at least 1000 MegOhms within 5 minutes after removal from humidity. Corrosion: Mil-Std-202, Method 101, Test Cond. B. Vibration: Mil-Std-202, Method 204, Test Cond. D. Shock: Mil-Std-202, Method 213, Test Cond. I. |

| FINISH(ES): |
|--|
| Body: Passivated per ASTM A-967 OR AMS-QQ-P-35 Insert & Center Conductor: Gold plate per ASTM B-488 over nickel plate per SAE-AMS-QQ-N-290. |

| APPLICABLE CARLISLE IT DOCUMENTS | | |
|----------------------------------|-----------|-----------|
| WORK STD | PROD INST | ASSY INST |
| NA | NA | NA |

NOTICE

THIS DRAWING EMBODIES A CONFIDENTIAL PROPRIETARY DESIGN ORIGINATED BY CARLISLE INTERCONNECT TECHNOLOGIES AND ALL DESIGN, MANUFACTURING, REPRODUCTION, USE AND SALE RIGHTS REGARDING THE SAME ARE EXPRESSLY RESERVED. IT IS SUBMITTED UNDER A CONFIDENTIAL RELATIONSHIP FOR A SPECIFIED PURPOSE AND THE RECIPIENT AGREES BY ACCEPTING THIS DRAWING NOT TO SUPPLY OR DISCLOSE ANY INFORMATION REGARDING IT TO ANY UNAUTHORIZED PERSON TO INCORPORATE IN OTHER PROJECTS ANY SPECIAL FEATURE PECULIAR TO THIS DESIGN. ALL PATENT RIGHTS HERETO ARE EXPRESSLY RESERVED BY CARLISLE INTERCONNECT TECHNOLOGIES, CERRITOS, CA 90703

| TOLERANCES AND NOTES EXCEPT AS NOTED | |
|---|----------------|
| DIMENSIONS ARE IN INCHES. | |
| LINEAR .XXX ±.015 | ANGULAR ± 1/2° |
| FRACTION ± 1/32 | |
| 1. MACHINE FINISH: 63/RMS | |
| 2. BREAK ALL SHARP EDGES .003 MAX. | |
| 3. MACHINED FILLETS .005 MAX. | |
| 4. MACHINED SURFACES SQUARE TO RESPECTIVE AXIS WITHIN .005 INCHES PER INCH. | |
| 5. MACHINED DIAMETERS CONCENTRIC WITHIN .002 T.I.R. | |
| 6. DIMENSIONS TO BE MET BEFORE PLATING. | |
| 7. CHAMFER ALL THREADS 45°. | |
| 8. THREADS PER H-28 | |
| 9. REMOVE FRADED EDGES ON TEFLON. | |
| 10. REMOVE ALL BURRS. | |

| MATERIAL | | SPECIFICATION | | PROCUREMENT | |
|-------------------|---------------|---------------|-------------------------|---|--------|
| APPROVAL INITIALS | DATE | | | SMP MALE PCB MOUNT TO Ø .028 STRAIGHT TERMINATION | |
| DRAWN BY | BRD 12/08/93 | | | | |
| CHECKED BY | | | | | |
| TEST ENGG | | | | | |
| DESIGN ENGG | ATV 09.13.01 | SCALE | DIRECTORY/SUB-DIRECTORY | SHEET | 1 OF 2 |
| MFG ENGG | | SIZE | CAGE CODE | DRAWING NO. | REV. |
| ECO APPRV | H.T. 08.16.12 | C | 30990 | P654 | K |

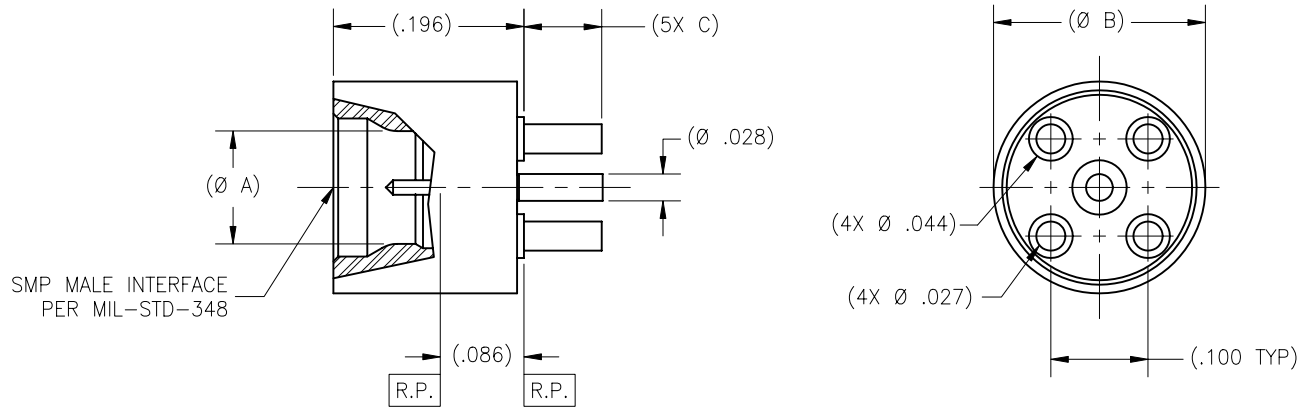
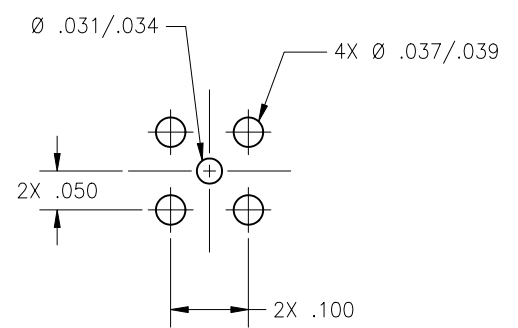


FIGURE 2



RECOMMENDED MOUNTING HOLE PATTERN

| | | | |
|-------|-------------------------|-------------|------|
| SCALE | DIRECTORY\SUB-DIRECTORY | SHEET 2 | OF 2 |
| NONE | _OUTLINE_OLP\ | | |
| SIZE | CAGE CODE | DRAWING NO. | REV. |
| C | 30990 | P654 | K |