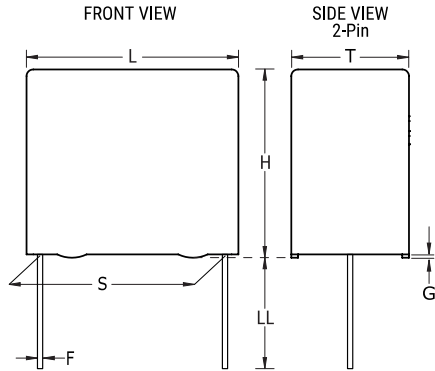


P295, Film, Metallized Paper, Automotive Safety, 2500 pF, 10%, 500 VAC (Y1), 1500 VDC, 115°C, Lead Spacing = 15mm



Dimensions	
L	18mm MAX
H	14.5mm MAX
T	7.5mm MAX
S	15mm +/-0.4mm
LL	30mm +5mm
F	0.8mm +/-0.05mm
G	0.5mm NOM

Packaging Specifications	
Packaging:	Bulk, Bag
Packaging Quantity:	400

General Information	
Series:	P295
Dielectric:	Metallized Paper
Style:	Radial
Features:	EMI Safety
RoHS:	Yes
Lead:	Wire Leads
Safety Class:	Y1
Qualifications:	ENEC, UL, cUL, CQC, AEC-Q200
AEC-Q200:	Yes
THB Performance:	No
Component Weight:	2.34 g
Miscellaneous:	SRF= 31 MHz.

Specifications	
Capacitance:	2500 pF
Capacitance Tolerance:	10%
Voltage AC:	500 VAC (Y1)
Voltage DC:	1500 VDC
Temperature Range:	-40/+115°C
Rated Temperature:	115°C
Dissipation Factor:	1.3% 1kHz
Insulation Resistance:	12 GOhms
Max dV/dt:	2000 V/us

Statements of suitability for certain applications are based on our knowledge of typical operating conditions for such applications, but are not intended to constitute - and we specifically disclaim - any warranty concerning suitability for a specific customer application or use. This Information is intended for use only by customers who have the requisite experience and capability to determine the correct products for their application. Any technical advice inferred from this Information or otherwise provided by us with reference to the use of our products is given gratis, and we assume no obligation or liability for the advice given or results obtained.