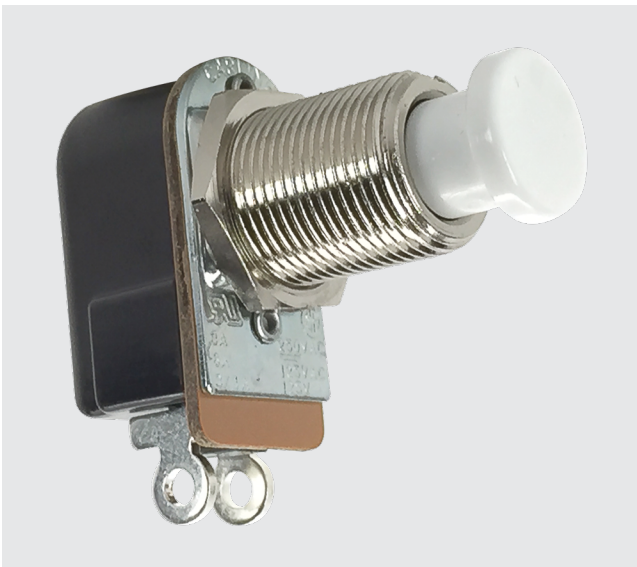


# P27-Series

## PUSHBUTTON SWITCHES

The P27-Series pushbutton switches are single pole, AC rated switches suitable for general purpose applications with a shallow back panel. These switches are momentary action with a medium actuation force (26 oz. typical). The P27-Series switch is equipped with a slow-make, slow-break contact mechanism, rated at 6 amps with a nylon concave pushbutton.



### Product Highlights:

- Ratings to 6A 125VAC 3A 250VAC
- Momentary On or Momentary Off circuitry
- .250 Tab, Solder Lug or Wire Lead terminations
- Shallow space saving envelope

### Typical Applications:

- Intercoms
- Security System
- Electronic Signs
- Marine



### Dielectric Strength

UL/CSA: 1000V - live to dead metal parts

### Electrical Life

25,000 cycles

### Operating Temperature

32°F to 185°F (0°C to 85°C)

**Note: Included Hardware: 1 Hex Nut, 1 Ring/Dress Nut**

**P27A** - **BL**

1  
Base Part Number

2  
Button Color

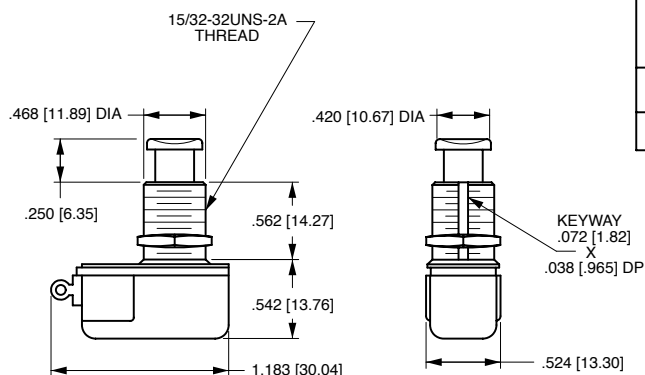
**1 BASE PART NUMBER: SERIES / POLES / CIRCUITRY / RATING / TERMINATION**

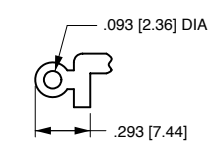
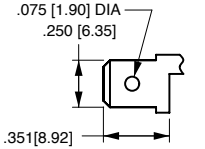
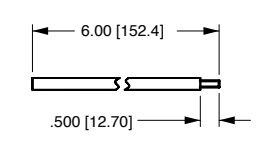
Single Pole	Solder Lug	.250 Tab	Wire Leads
3A 250VAC, 6A 125 VAC, 3/4A 125V	P27A	P27B	P27F
Off - (On)	P27L	-	P27T
On - (Off)			

**3 BUTTON STYLE / COLOR**

BL	Black
RD	Red
WH	White

Notes:  
( ) Indicates momentary function.



 .093 [2.36] DIA .293 [7.44]	 .075 [1.90] DIA .250 [6.35] .351 [8.92]	 6.00 [152.4] .500 [12.70]
SOLDER LUG	.250 TAB (Q.C.) (Momentary ON only)	INTEGRATED WIRE LEAD (no exposed conductors)
<b>TERMINAL TYPE</b>		



\*Manufacturer reserves the right to change product specification without prior notice.

## Authorized Sales Representatives and Distributors

Click on a region of the map below to find your local representatives and distributors or visit [www.carlingtech.com/findarep](http://www.carlingtech.com/findarep).



## About Carling

Founded in 1920, Carling Technologies is a leading manufacturer of electrical and electronic switches and assemblies, circuit breakers, electronic controls, power distribution units, and multiplexed power distribution systems. With four ISO9001 and IATF16949 registered manufacturing facilities and technical sales offices worldwide, Carling Technologies Sales, Service and Engineering teams do much more than manufacture electrical components, they engineer powerful solutions! To learn more about Carling please visit [www.carlingtech.com/company-profile](http://www.carlingtech.com/company-profile).

To view all of Carling's environmental, quality, health & safety certifications please visit [www.carlingtech.com/environmental-certifications](http://www.carlingtech.com/environmental-certifications)

## **Worldwide Headquarters**

Carling Technologies, Inc.  
60 Johnson Avenue, Plainville, CT 06062  
**Phone:** 860.793.9281 **Fax:** 860.793.9231  
**Email:** sales@carlingtech.com

**Northern Region Sales Office:** nrsm@carlingtech.com  
**Southeast Region Sales Office:** sersm@carlingtech.com  
**Midwest Region Sales Office:** mrrsm@carlingtech.com  
**West Region Sales Office:** wrsm@carlingtech.com  
**Latin America Sales Office:** larsm@carlingtech.com

## **Asia-Pacific Headquarters**

Carling Technologies, Asia-Pacific Ltd.,  
Suite 1607, 16/F Tower 2, The Gateway,  
Harbour City, 25 Canton Road,  
Tsimshatsui, Kowloon, Hong Kong  
**Phone:** Int + 852-2737-2277 **Fax:** Int + 852-2736-9332  
**Email:** sales@carlingtech.com.hk

**Shenzhen, China:** shenzhen@carlingtech.com  
**Shanghai, China:** shanghai@carlingtech.com  
**Pune, India:** india@carlingtech.com  
**Kaohsiung, Taiwan:** taiwan@carlingtech.com  
**Yokohama, Japan:** japan@carlingtech.com

## **Europe | Middle East | Africa Headquarters**

Carling Technologies LTD  
4 Airport Business Park, Exeter Airport,  
Clyst Honiton, Exeter, Devon, EX5 2UL, UK  
**Phone:** Int + 44 1392.364422 **Fax:** Int + 44 1392.364477  
**Email:** ltd.sales@carlingtech.com

**Germany:** gmbh@carlingtech.com  
**France:** sas@carlingtech.com



**Carling Technologies®**

Innovative Designs. Powerful Solutions.