



# SERIES P197 SWITCHES

## POWER PUSHBUTTON SWITCHES



### SPECIFICATIONS

Contact Rating: 10A @ 125 VAC - UL, CUL  
 5A @ 250 VAC - UL, CUL, VDE  
 TV-5 @ 125 VAC - UL, CUL  
 In Rush, 80A @ 250 VAC - VDE

Life Expectancy: 10,000 cycles

Contact Resistance: 100mΩ max. typical; initial @ 2-4 VDC

Insulation Resistance: 1,000M Ω min.

Dielectric Strength: > 1,500 volts 1 minute  
 > 3,000 volts between poles

Actuation Force: 300 ±100 gram force

Operating Temperature: -20°C to +85°C

### MATERIALS

Housing: 6/6 Nylon

Actuator: Acetal

Bracket: Tin plated steel

Contacts: Silver plated copper alloy

Terminals: Silver plated copper alloy

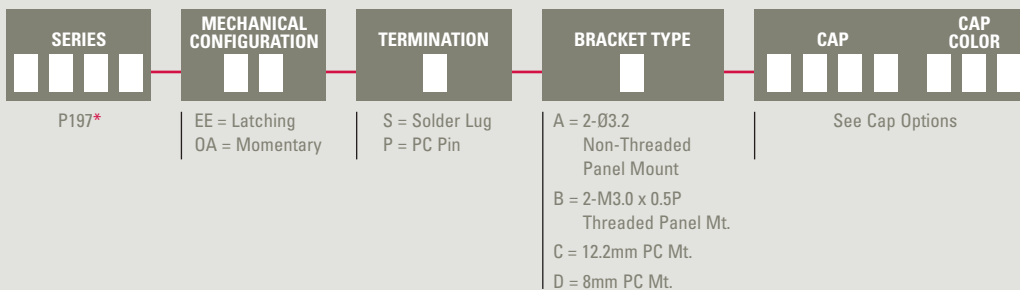
### FEATURES & BENEFITS

- ▶ Power pushbutton rated up to 10amps
- ▶ Latching & momentary functions
- ▶ Panel & PC board mount options

### APPLICATIONS/MARKETS

- ▶ Telecommunications
- ▶ Networking
- ▶ Computers/servers
- ▶ Performance audio
- ▶ Instrumentation
- ▶ Low power on/off designs
- ▶ External hard drives and modems

### HOW TO ORDER

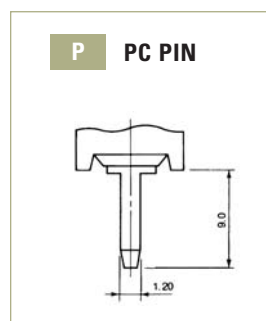
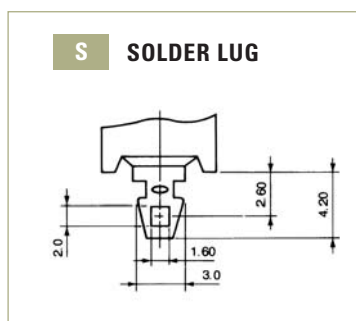


▶ ▶ ▶ **Example Ordering Number**  
 P197-EE-P-B-TA12-BLU

\*Note: Also available in 2 pole version P297.  
 Contact E-Switch for more information.

Specifications subject to change without notice.

### TERMINATION OPTIONS





# SERIES P197 SWITCHES

## POWER PUSHBUTTON SWITCHES

TACT SWITCHES

NAVIGATION SWITCHES

PUSHBUTTON SWITCHES

TOGGLE SWITCHES

ROCKER SWITCHES

SLIDE SWITCHES

SNAP-ACTION SWITCHES

DIP SWITCHES

KEYLOCK SWITCHES

ROTARY SWITCHES

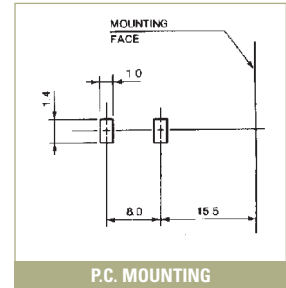
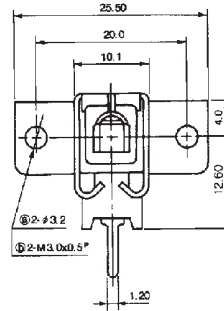
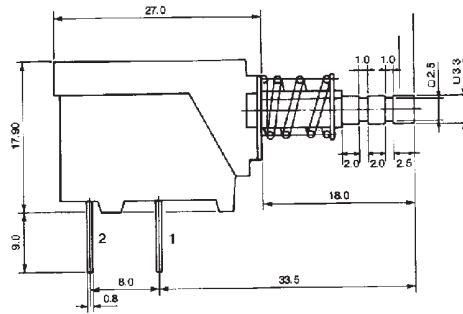
DETECTOR SWITCHES

CAP OPTIONS

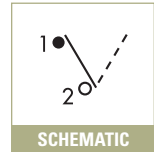
### BRACKET OPTIONS

#### A/B

A = 2 - Ø3.2 (Non-Threaded)  
B = 2 - M3.0 x 0.5P (Threaded)



P.C. MOUNTING

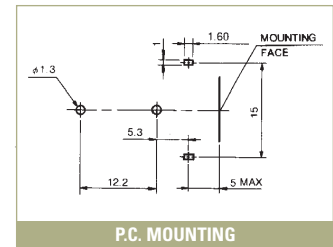
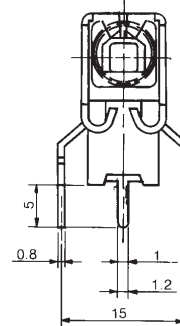
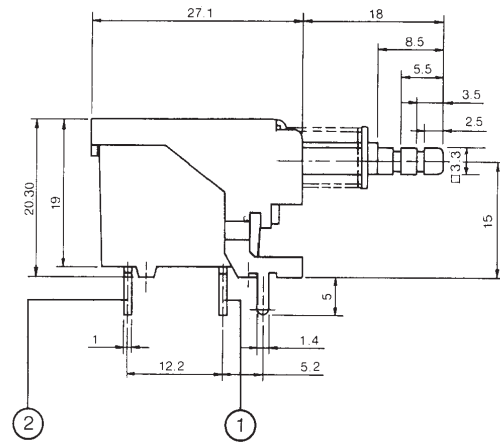


SCHEMATIC

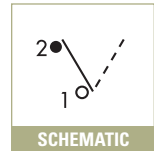
### BRACKET OPTIONS

#### C

C = 12.2 mm P.C. Pin Spacing (measured from terminal 2 to terminal 1)



P.C. MOUNTING

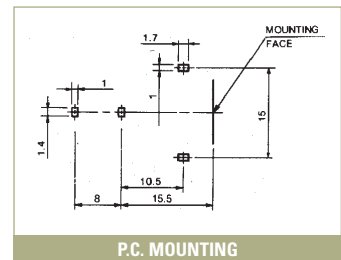
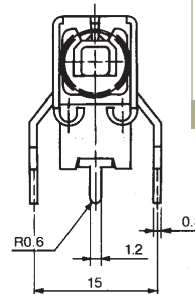
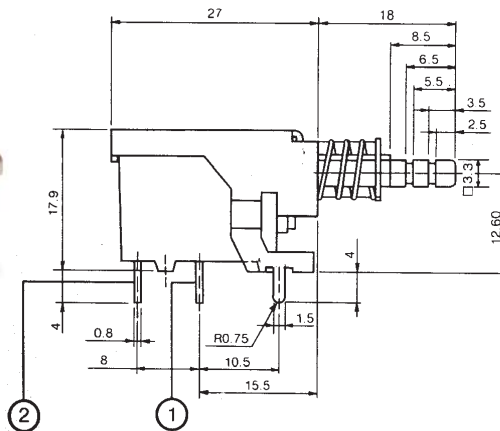
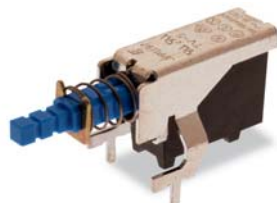


SCHEMATIC

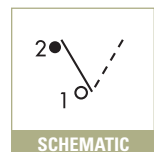
### BRACKET OPTIONS

#### D

D = 8 mm P.C. Pin Spacing (measured from terminal 2 to terminal 1)



P.C. MOUNTING



SCHEMATIC