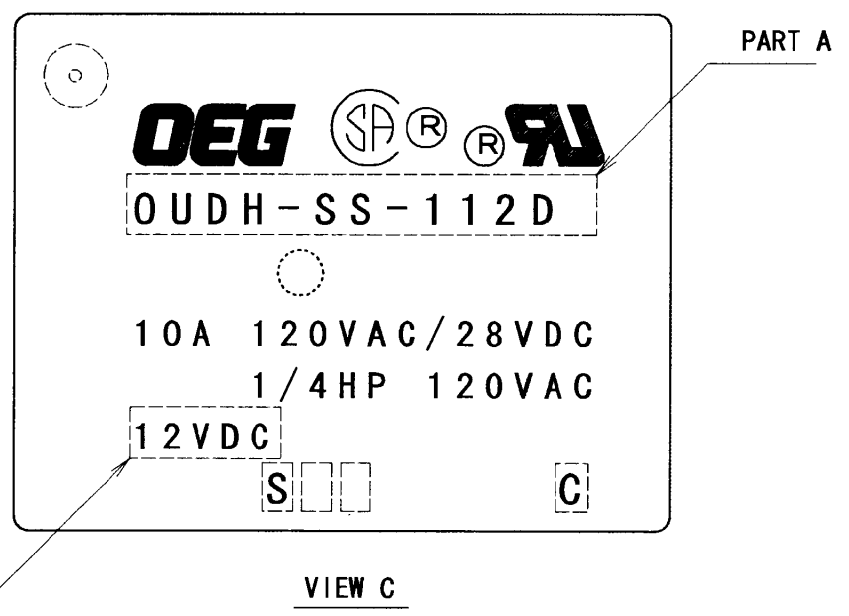
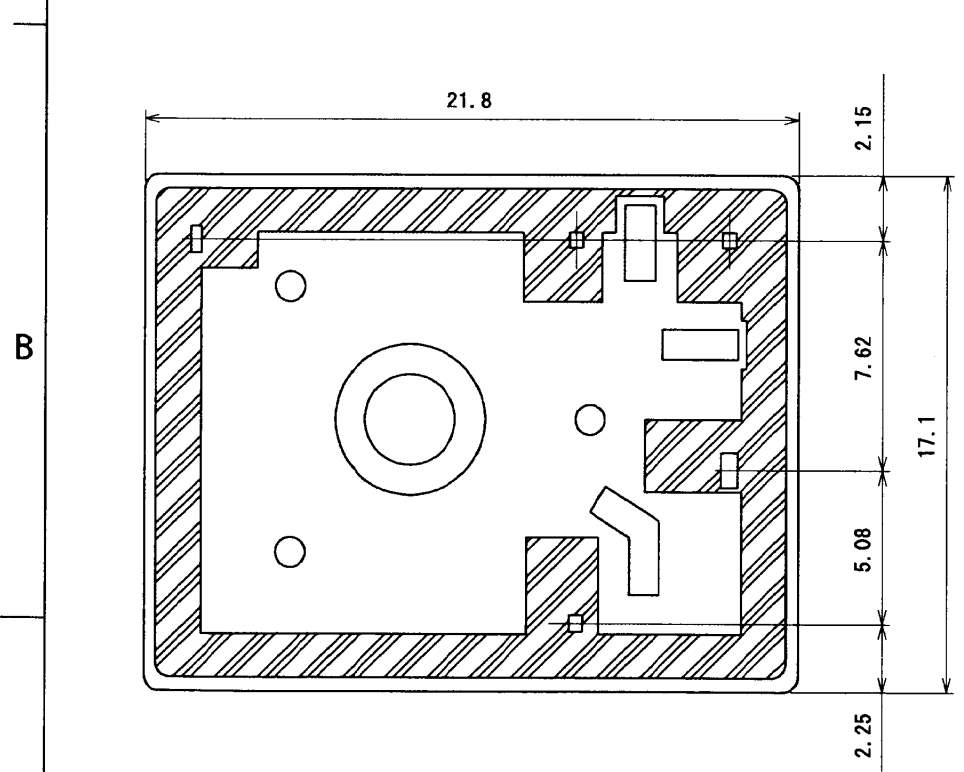
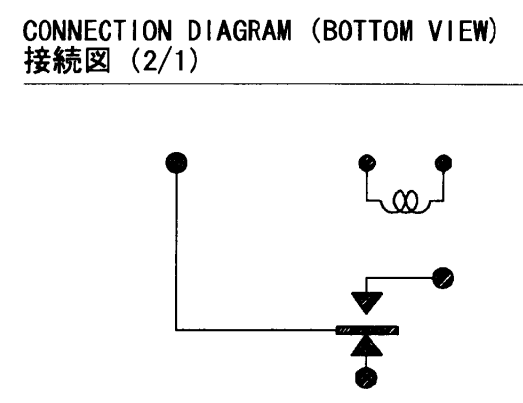
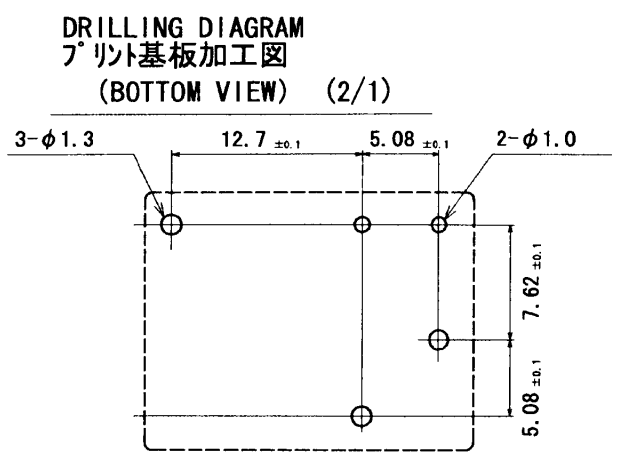
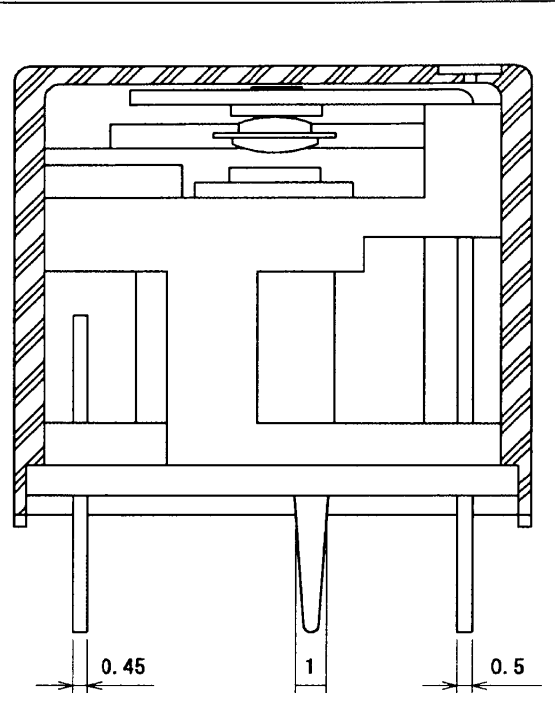
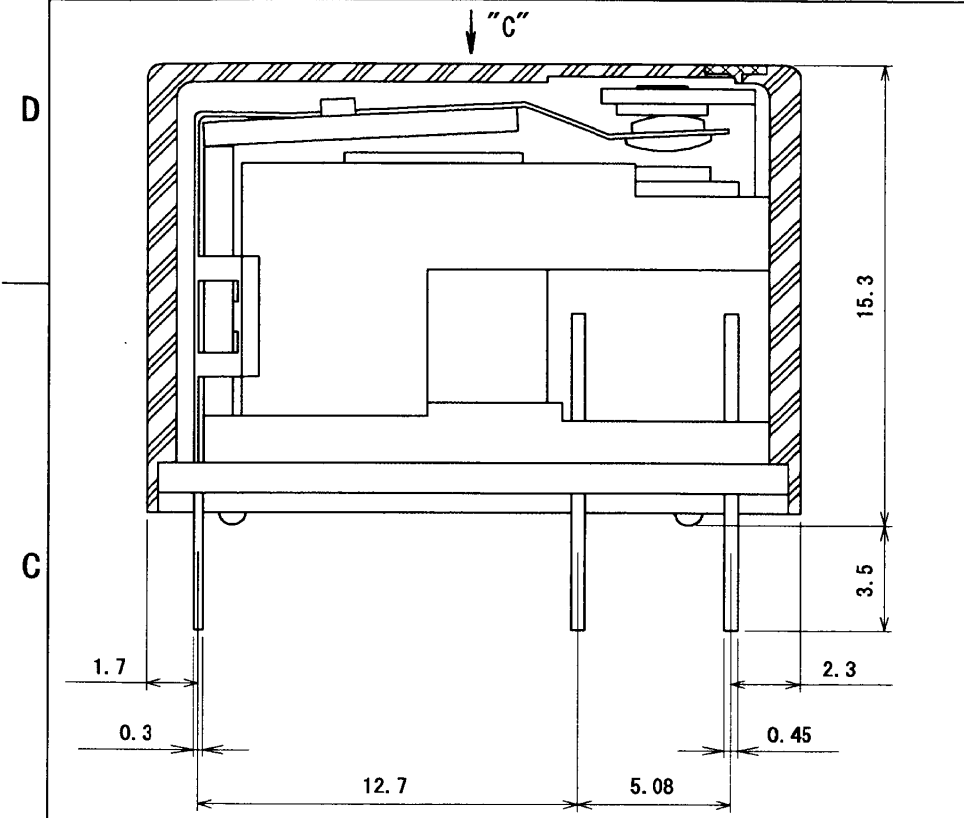


THIS DRAWING IS UNPUBLISHED. RELEASED FOR PUBLICATION  
 © COPYRIGHT BY TYCO ELECTRONICS CORPORATION. ALL RIGHTS RESERVED.

LOC HH	DIST	REVISIONS 変更						
		P	LTR	DESCRIPTION	ECN	DATE	DWN	APVD
			0	RELEASE		31-MAR-03	H. S	A. N



NOTES  
 注記  
 -SS- : PLASTIC SEALD TYPE  
 -SS-タイプ : 自動半田槽で半田可能なアンチフラックス型  
 -SH- : WASHABLE TYPE  
 -SH-タイプ : 半田付け後P C基板洗浄可能な型

DIMENTION TOLERANCE

Max. 1mm	±0.1
1mm~Max. 3mm	±0.2
Min. 3mm	±0.3

THIS DRAWING IS A CONTROLLED DOCUMENT FOR TYCO ELECTRONICS CORPORATION IT IS SUBJECT TO CHANGE AND THE CONTROLLING ENGINEERING ORGANIZATION SHOULD BE CONTACTED FOR THE LATEST REVISION.		DWN H. SASAKI		Tyco Electronics EC K.K. Tochigi, Japan	
DIMENSIONS: 単位: 英 mm		TOLERANCES UNLESS OTHERWISE SPECIFIED:		NAME 名称	
		0 PLC ± 1 PLC ± 2 PLC ± 3 PLC ± 4 PLC ± ANGLES ±		OUDH-D SPEC,000 CUSTOMER DRAWING	
MATERIAL 材料		FINISH 仕上		SIZE A3	
				CAGE CODE 00779	
				DRAWING NO 3-1440007-0	
				RESTRICTED TO	
				SCALE 4:1	
				SHEET 1 OF 2	
				REV 0	

4

3

2

1

THIS DRAWING IS UNPUBLISHED.

RELEASED FOR PUBLICATION

© COPYRIGHT

BY TYCO ELECTRONICS CORPORATION. ALL RIGHTS RESERVED.

LOC HH DIST

REVISIONS

P	LTR	DESCRIPTION	ECN	DATE	DWN	APVD

1461249-1	0UDH-SH-148D ,000	24VDC	0UDH-SH-148D	j
7-1419129-4	0UDH-SH-124D ,000	12VDC	0UDH-SH-124D	i
7-1419129-2	0UDH-SH-112D ,000	9VDC	0UDH-SH-112D	h
7-1419145-4	0UDH-SH-106D ,000	6VDC	0UDH-SH-106D	g
7-1419145-3	0UDH-SH-105D ,000	5VDC	0UDH-SH-105D	f
8-1419129-5	0UDH-SS-124D ,000	24VDC	0UDH-SS-124D	e
8-1419129-0	0UDH-SS-112D ,000	12VDC	0UDH-SS-112D	d
7-1419129-6	0UDH-SS-109D ,000	9VDC	0UDH-SS-109D	c
7-1419129-5	0UDH-SS-106D ,000	6VDC	0UDH-SS-106D	b
3-1440007-0	0UDH-SS-105D ,000	5VDC	0UDH-SS-105D	a
PART No.	DESCRIPTION	PART B	PART A	ITEM

RELAY TYPE

AR	AR	AR	AR	AR	AR	AR	AR	AR	AR	SH-TYPE ONLY	UV RESIN	UV SEAL	ITEM	
AR	AR	AR	AR	AR	AR	AR	AR	AR	AR		EPOXY RESIN	SEAL	15	
1	1	1	1	1	1	1	1	1	1	UL94 V-0	PBT	BOBBIN	13	
1	1	1	1	1	1	1	1	1	1	UL94 V-0	PBT	CASE	12	
1	1	1	1	1	1	1	1	1	1	UL94 V-0	PBT	BASE	11	
1	1	1	1	1	1	1	1	1	1		UEW	MAGNETIC WIRE	10	
1	1	1	1	1	1	1	1	1	1	SOLDER DIP	CP WIRE	COIL TERMINAL	9	
2	2	2	2	2	2	2	2	2	2		Ag ALLOY	STATIONARY CONTACT	8	
1	1	1	1	1	1	1	1	1	1		Ag ALLOY	MOVABLE CONTACT	7	
1	1	1	1	1	1	1	1	1	1	SOLDER DIP	Cu ALLOY	NC TERMINAL	6	
1	1	1	1	1	1	1	1	1	1	SOLDER DIP	Cu ALLOY	NO TERMINAL	5	
1	1	1	1	1	1	1	1	1	1	SOLDER DIP	Cu ALLOY	MOVABLE SPRING	4	
1	1	1	1	1	1	1	1	1	1		STEEL	CORE	3	
1	1	1	1	1	1	1	1	1	1		STEEL	ARMATURE	2	
1	1	1	1	1	1	1	1	1	1		STEEL	YOKE	1	
j	i	h	g	f	e	d	c	b	a	INCOMBUSTIBILITY	TREATMENT	MATERIAL	DESCRIPTION	ITEM

THIS DRAWING IS A CONTROLLED DOCUMENT FOR TYCO ELECTRONICS CORPORATION. IT IS SUBJECT TO CHANGE AND THE CONTROLLING ENGINEERING ORGANIZATION SHOULD BE CONTACTED FOR THE LATEST REVISION.

DIMENSIONS: 單位: 毫米 mm	TOLERANCES UNLESS OTHERWISE SPECIFIED: 0 PLC ± 1 PLC ± 2 PLC ± 3 PLC ± 4 PLC ± ANGLES ±	DWN CHK APVD PRODUCT SPEC 製品規格 APPLICATION SPEC 取付適用規格 WEIGHT	NAME 名称 Tyco Electronics EC K.K. Tochigi, Japan OUDH-D SPEC,000 CUSTOMER DRAWING
MATERIAL 材料	FINISH 仕上	SIZE A3	CAGE CODE 00779
		DRAWING NO. 番号 3-1440007-0	RESTRICTED TO —
CUSTOMER DRAWING		SCALE 尺度 4:1	SHEET OF 2 2 REV 0