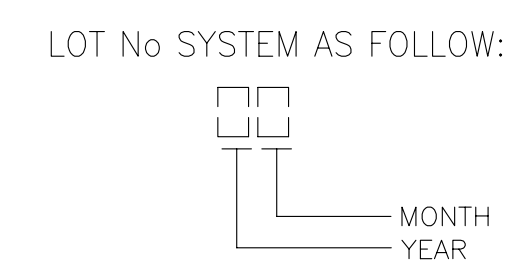
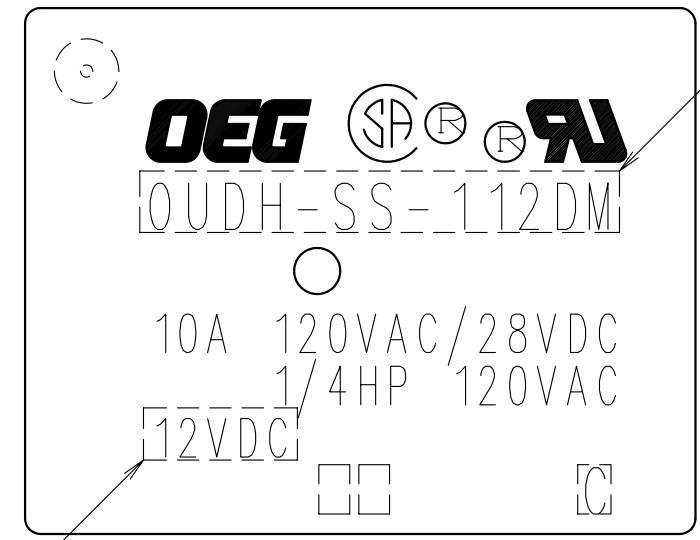
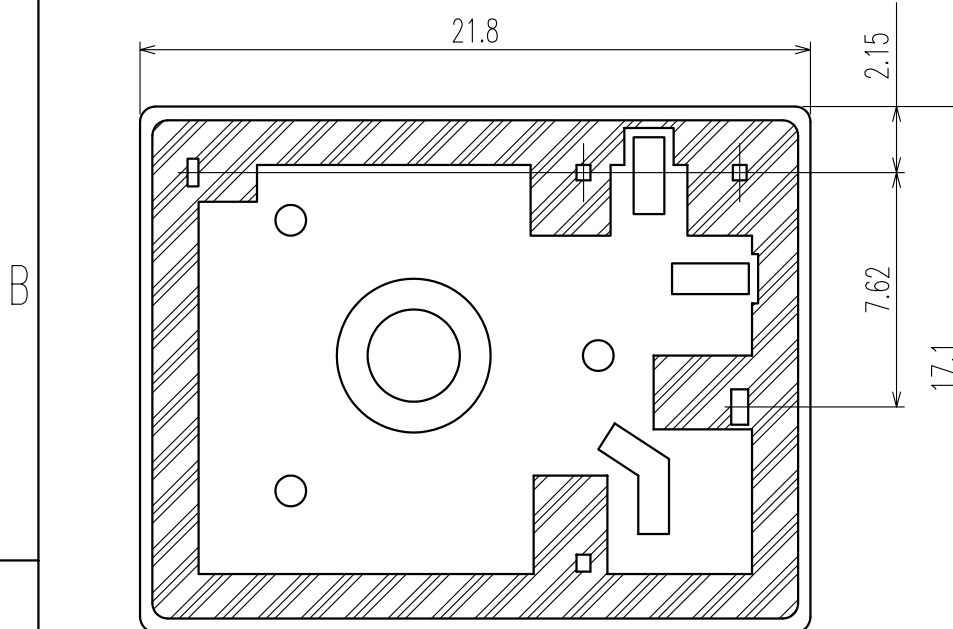
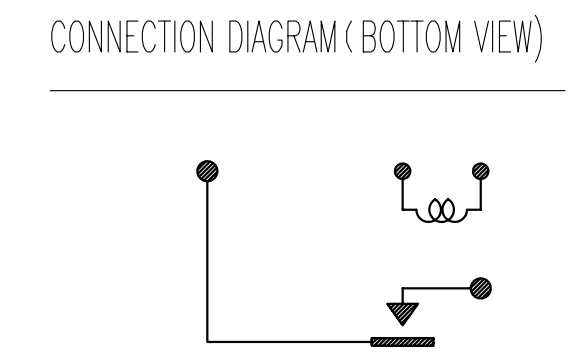
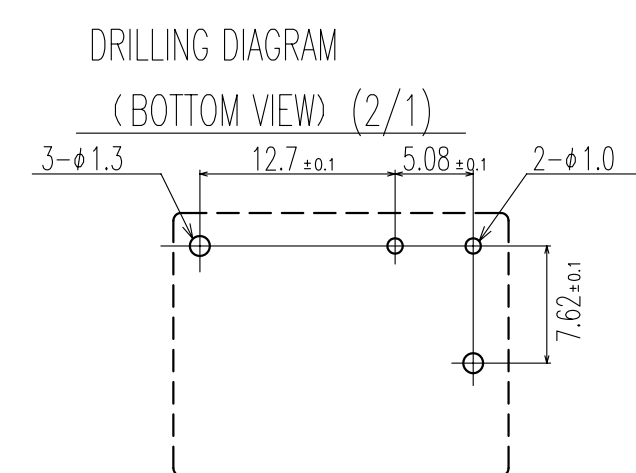
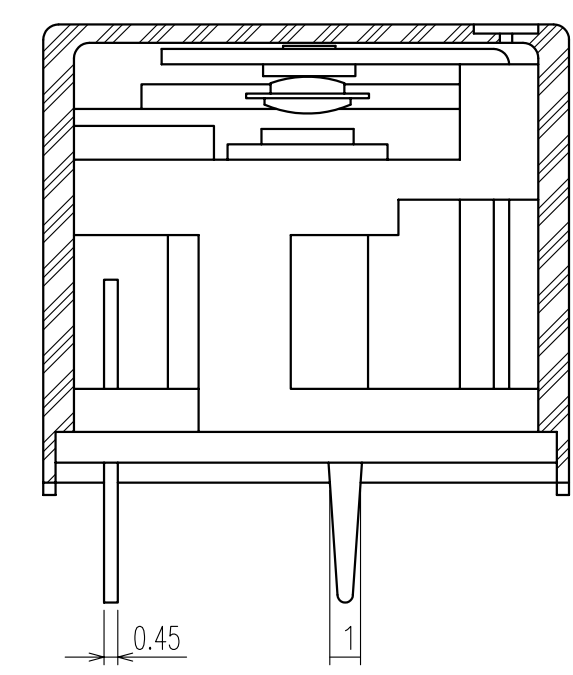
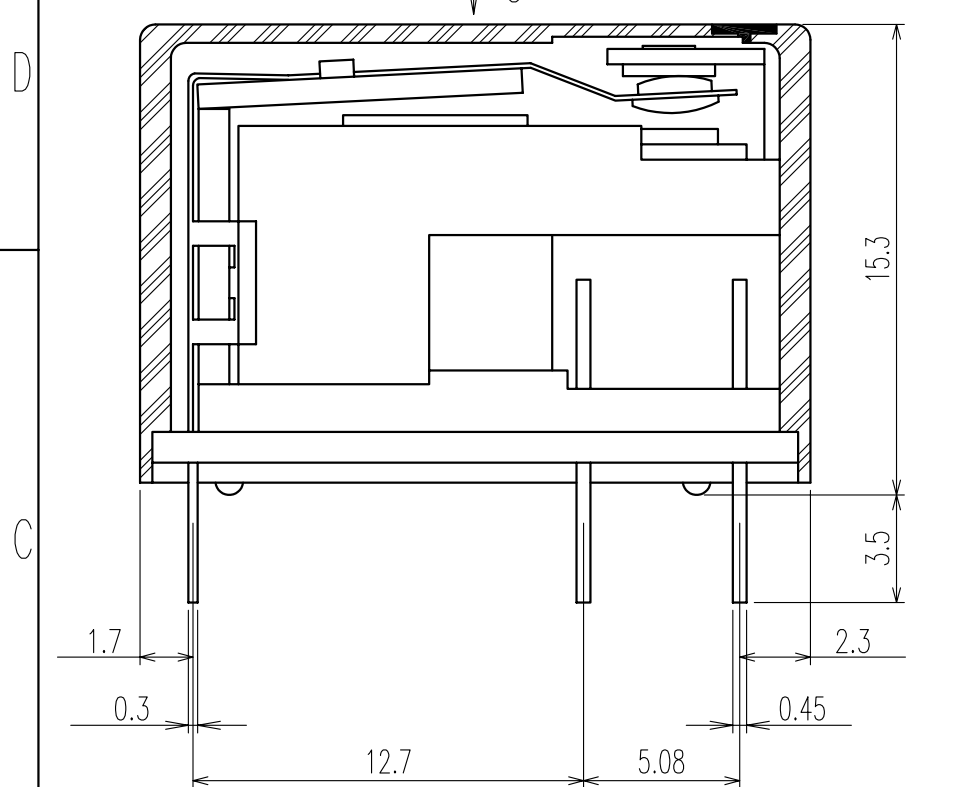


THIS DRAWING IS UNPUBLISHED. RELEASED FOR PUBLICATION
 © COPYRIGHT BY TYCO ELECTRONICS CORPORATION. ALL RIGHTS RESERVED.

LOC		DIST		REVISIONS 変更					
P	LTR	DESCRIPTION		ECN	DATE	DWN	APVD		
	O	RELEASE			31-MAR-03	H.S	A.N		
	A	ADD TYPE		ECO-06-007118	09-03-06	WJQ	AY		



PART B

VIEW C

NOTES
 -SS-: PLASTIC SEALD TYPE
 -SH-: WASHABLE TYPE

DIMENTION TOLERANCE	
≦ 1mm	±0.1
1 ~ 3mm	±0.2
> 3mm	±0.3

THIS DRAWING IS A CONTROLLED DOCUMENT FOR TYCO ELECTRONICS CORPORATION IT IS SUBJECT TO CHANGE AND THE CONTROLLING ENGINEERING ORGANIZATION SHOULD BE CONTACTED FOR THE LATEST REVISION.		DWN	H.SASAKI		Tyco Electronics EC K.K. Tochigi, Japan			
DIMENSIONS: mm		CHK	N.FUNAYAMA					
TOLERANCES UNLESS OTHERWISE SPECIFIED:		APVD	A.NAGAI		NAME tyco Electronics OUDH-DM SPEC,000 CUSTOMER DRAWING			
0 PLC ± 1 PLC ± 2 PLC ± 3 PLC ± 4 PLC ± ANGLES ±		PRODUCT SPEC	-		SIZE	CAGE CODE	DRAWING NO	RESTRICTED TO
MATERIAL		APPLICATION SPEC	-		A3	00779	C- 1461249-3	-
FINISH		WEIGHT	-		CUSTOMER DRAWING		SCALE 4:1	SHEET 1 OF 2
-		-		-		REV A		

