

High Power Rugged PCB Screw Terminals

**HIGH POWER RUGGED STRAIGHT & RIGHT ANGLE CONNECTORS
 30 TO 150 AMP PCB SCREW TERMINALS**

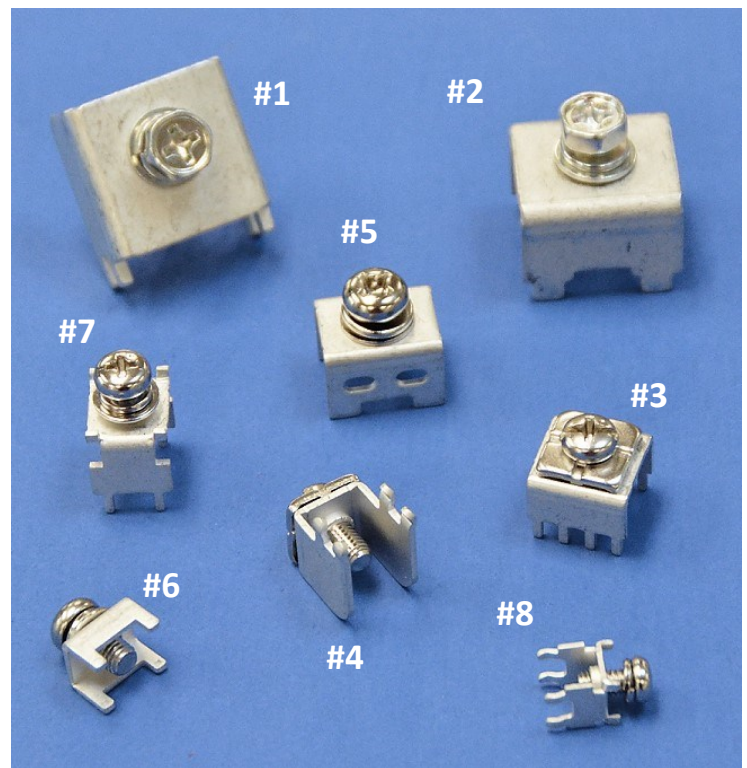
BlockMaster’s new 30 to 150 amp PCB screw terminals are suitable for today’s requirements of high current terminations on printed circuit boards. Available in both straight and right angle versions. They can be supplied with or without screws. Detailed technical information available from BlockMaster.

Features

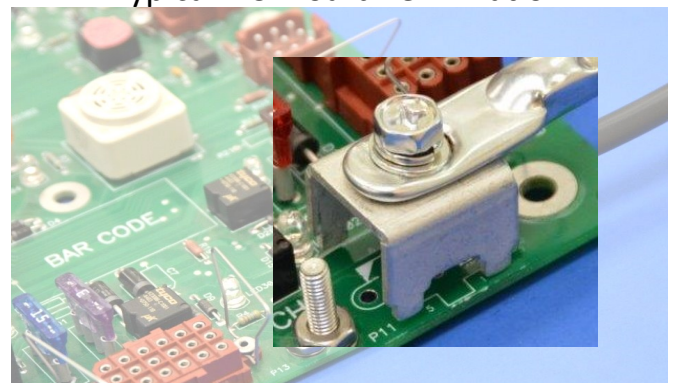
- Rugged high current applications
- Items # 3—8 hardware is optional
- Items # 1 & 2 include a metric screw, and both a flat & lockwasher
- Available with or without screws
- RoHS compliant
- Brass/tin plated
- Copper/tin plated (OT-201)
- Anti-Rotation feature for ring & spade terminals (P/N OT-047 & OT-048)

Typical Applications

- Power Supplies
- Solar Power
- Inverters
- Motor Controls
- Battery Chargers
- Automotive/Off Road/Marine/Forklifts/Buses



Typical P.C. Board Termination

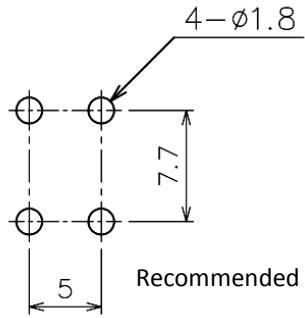


PART NUMBER	RATING	STYLE	ITEM NO.
OT-047-M4	30A	Straight P.C.	8
OT-048-M5	60A	Straight P.C.	7
OP-055-M5	80A	Straight P.C.	6
OP-487-M6	100A	Straight P.C.	5
OP-075-M5	110A	Right Angle P.C.	4
OT-016-M5/M6/L8/L10	60A/120A	Straight P.C.	3
OT-200-M6-L15/L22*	150A	Straight P.C.	2
OT-201-M6/M8*	150A	Right Angle P.C.	1

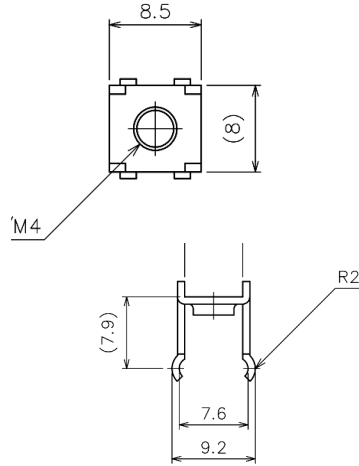
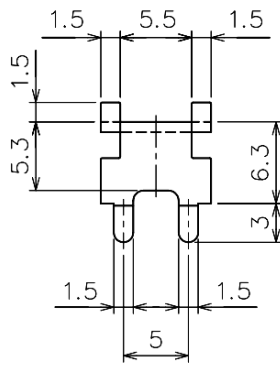
* Includes screw, flat & lockwasher

OT-047-M4

30A
Straight P.C.

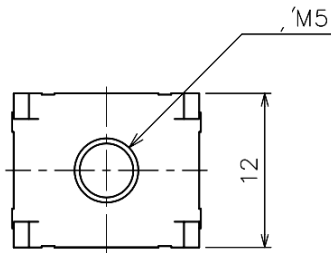


Recommended P.C. Board Layout

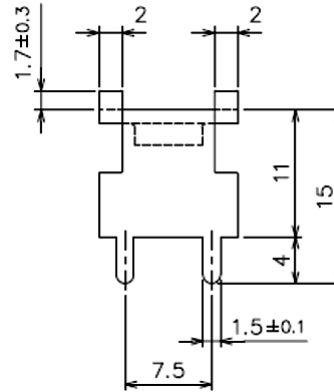
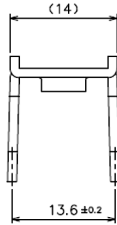
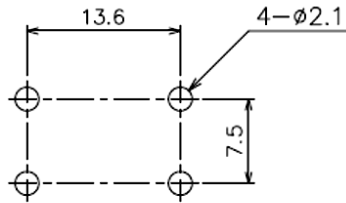


OT-048-M5

60A
Straight P.C.

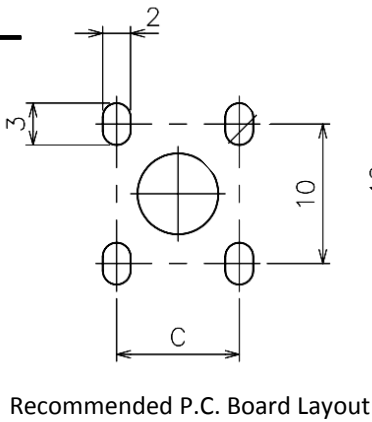
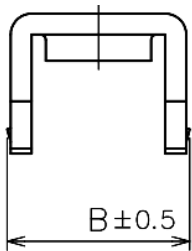


Recommended P.C. Board Layout



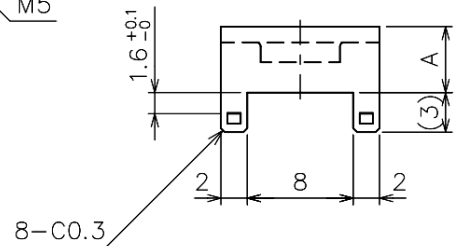
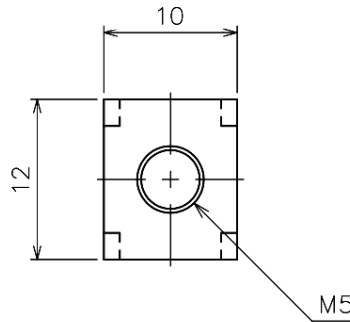
OP-055-M5-L

80A
Straight P.C.



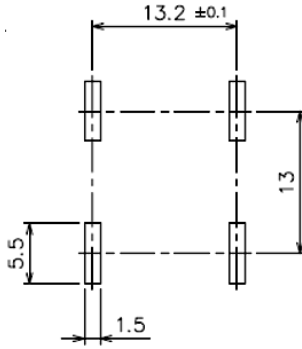
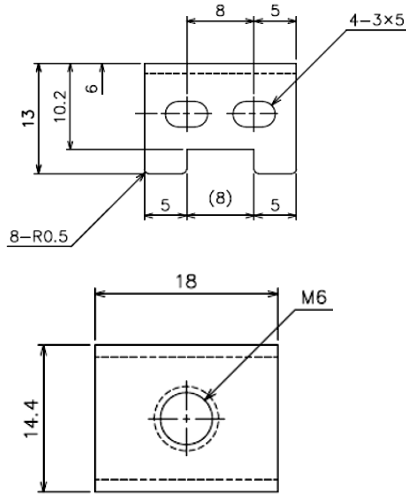
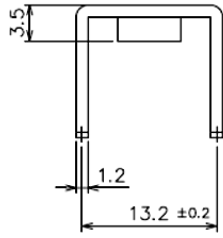
Recommended P.C. Board Layout

No.	A	B	C
1	5.0	10.4	9.2
2	31.5	12.4	10.8



OP-487-M6

100A
Straight P.C.

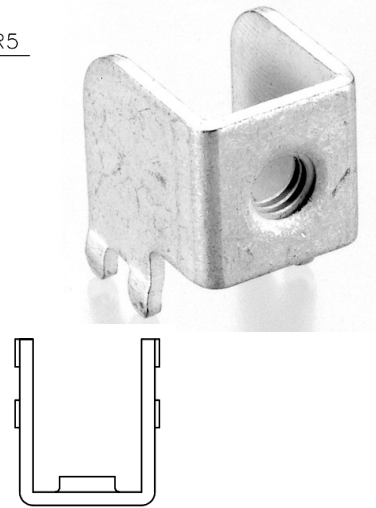
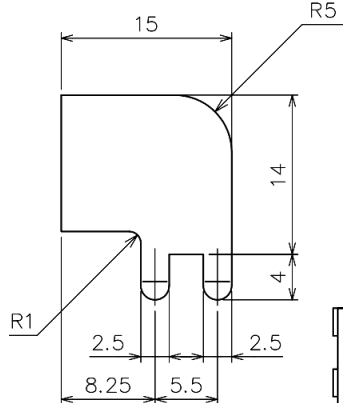
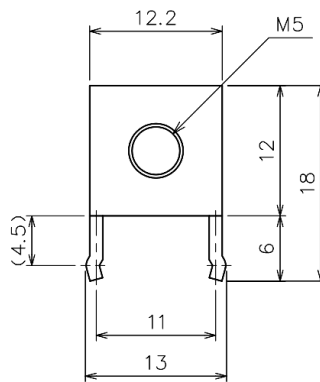
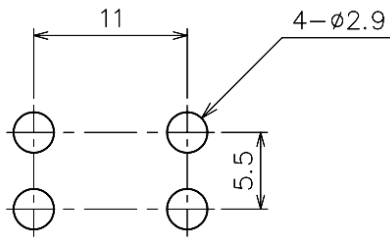


Recommended P.C. Board Layout



OP-075-M5

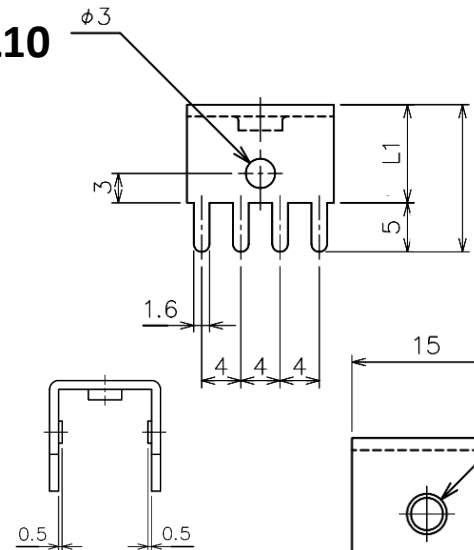
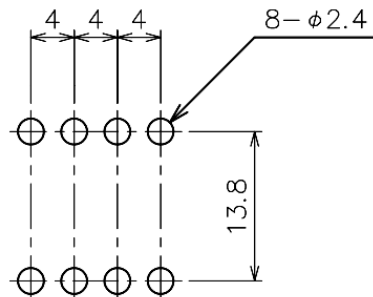
110A
Right Angle P.C.



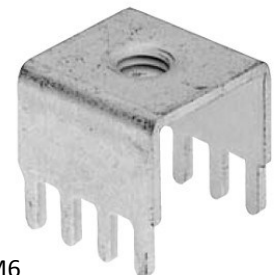
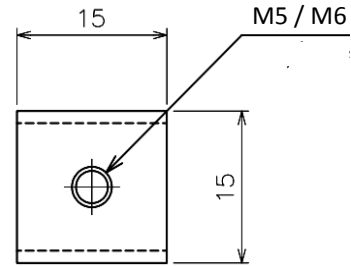
Recommended P.C. Board Layout

OT-016-M5/M6-L8/L10

120A
Straight P.C.



L
8
10



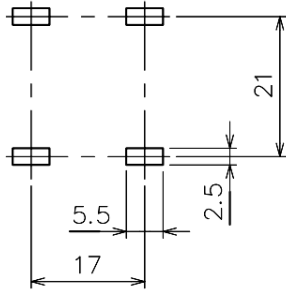
Recommended P.C. Board Layout

1400 Howard Street Phone: (847) 956-1680
Elk Grove Village, IL 60007 Fax: (847) 956-1690

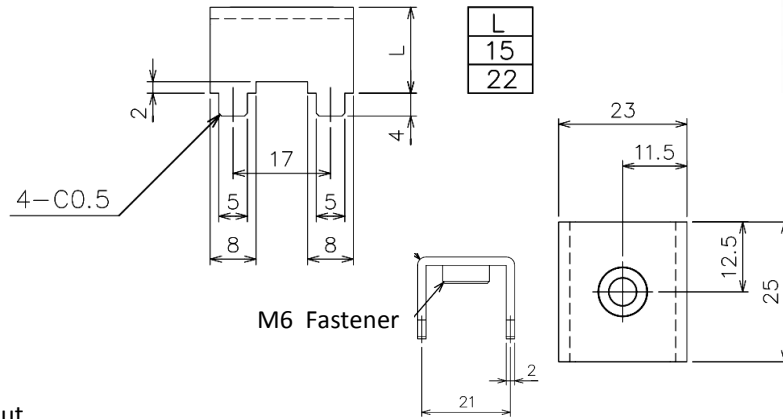
www.BlockMaster.com

OT-200-M6-L15/L22

150A
Straight P.C.

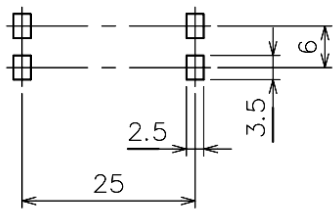


Recommended P.C. Board Layout

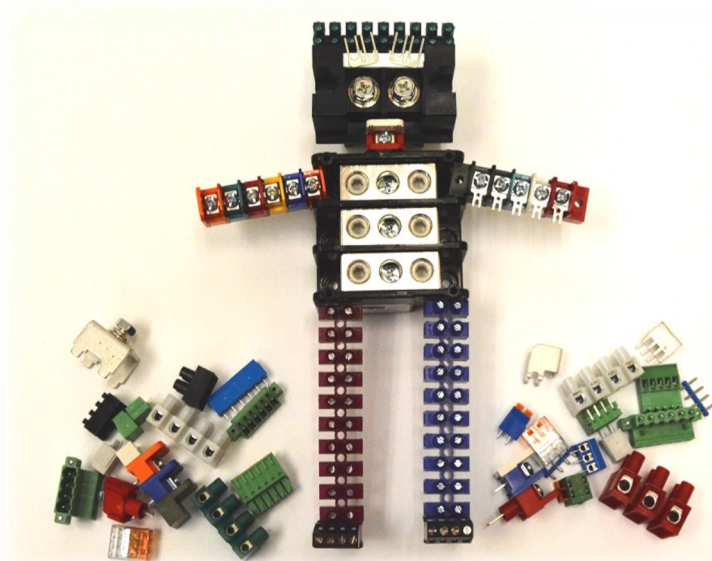
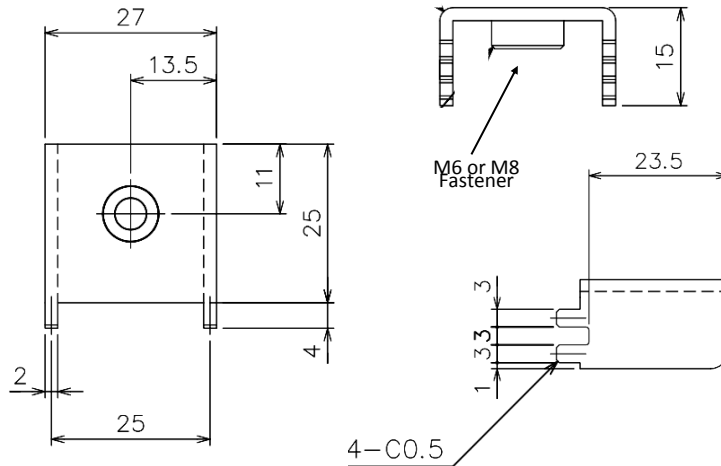


OT-201-M6/M8

150A
Right Angle P.C.



Recommended P.C. Board Layout



Tired of suppliers not answering your phone calls or waiting days for them to respond to your e-mails? They only want you to communicate with them via e-mail on their time.

CALL BLOCKMASTER!!!!

We welcome you phone calls, e-mails, faxes, snail mail, pony express, drones, etc.

We're here to help!

(847) 956-1680 Phone

(847) 956-1690 Fax

HelenM@BlockMaster.com



1400 Howard Street Phone: (847) 956-1680
Elk Grove Village, IL 60007 Fax: (847) 956-1690

www.BlockMaster.com