

THIS DRAWING IS UNPUBLISHED.

RELEASED FOR PUBLICATION

© COPYRIGHT

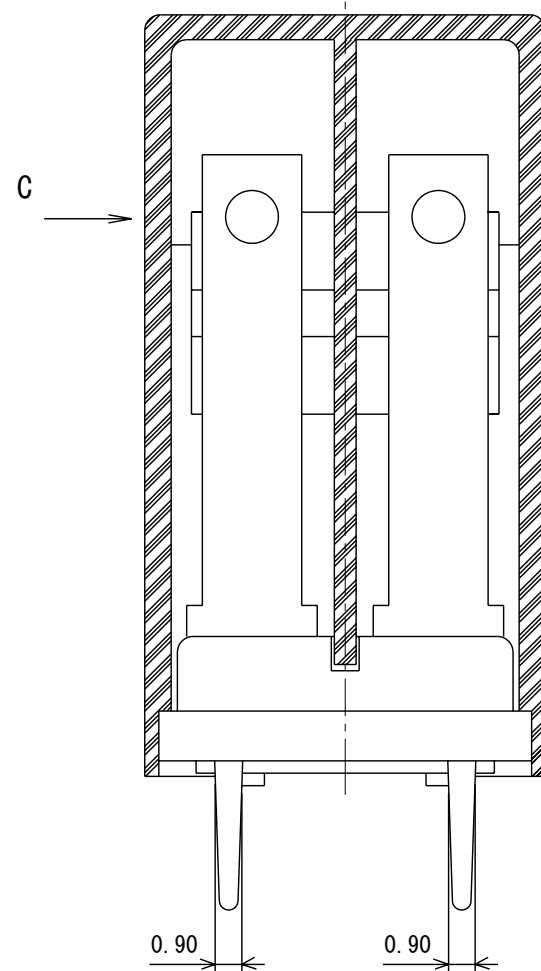
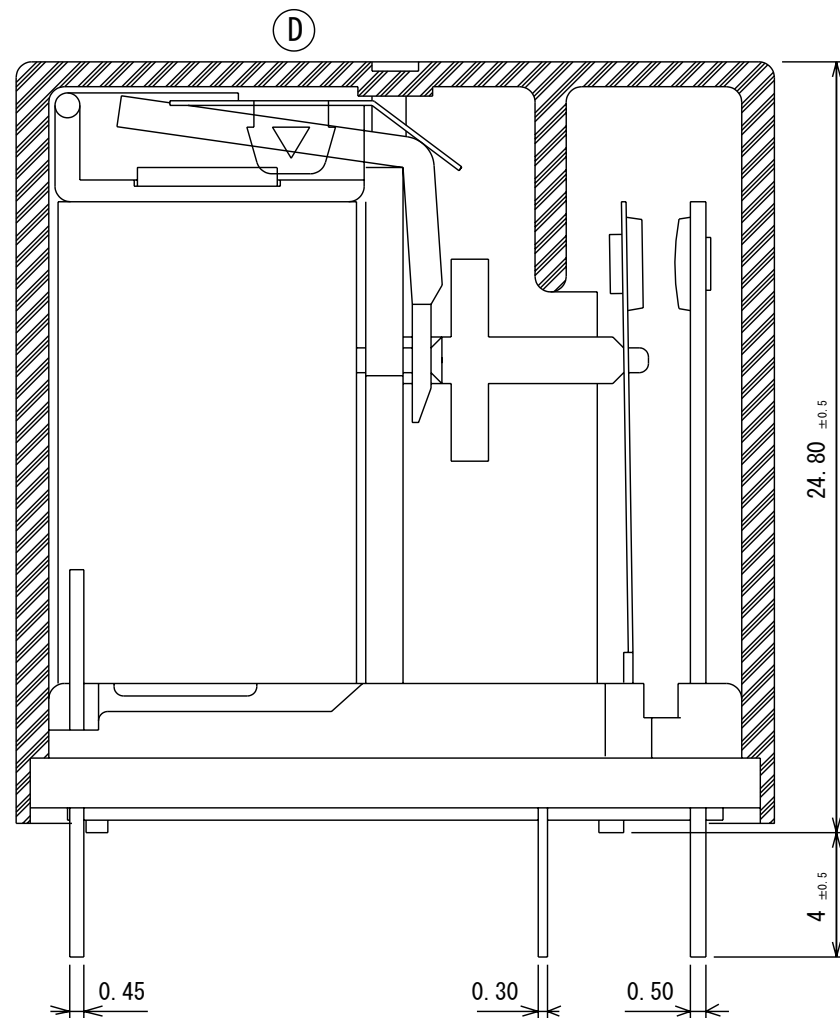
BY TYCO ELECTRONICS CORPORATION. ALL RIGHTS RESERVED.

LOC
HH

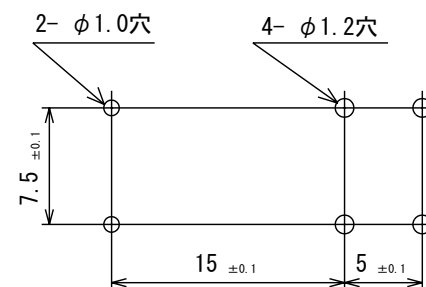
DIST

REVISIONS
変更

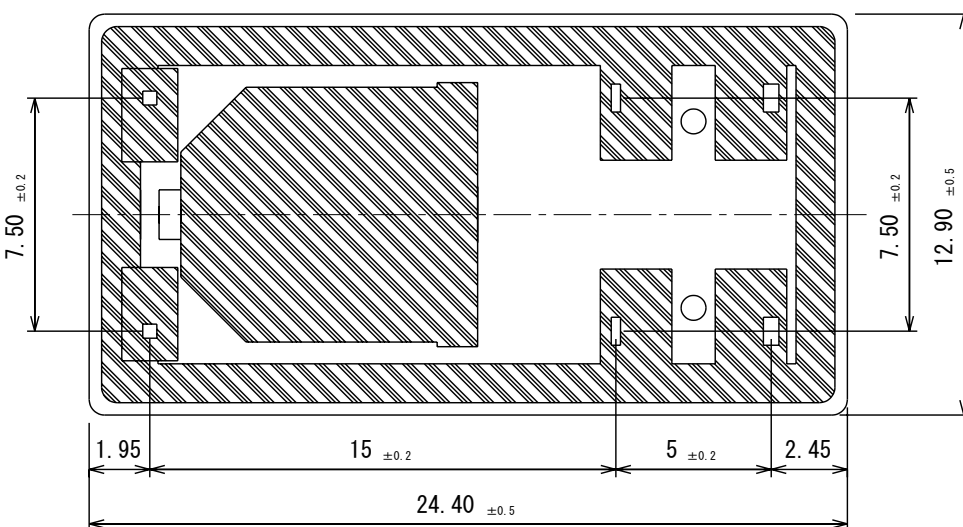
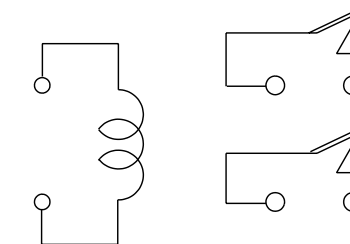
P	LTR	DESCRIPTION	ECN	DATE	DWN	APVD
D		CHANGE DIMENSION&HOLE SHAPE OF HINGE&ADD TYPE	ECO-06-017047	28-MAR-06	H. S	A. N



DRILLING DIAGRAM (BOTTM VIEW)
プリント基板加工図：底面図 (2/1)



CONNECTION DIAGRAM (BOTTM VIEW)
接続図



TOLERANCE

Diagram dimension	Tolerance
max. 1mm	±0.1mm
1 - 3mm	±0.2mm
min. 3mm	±0.3mm

THIS DRAWING IS A CONTROLLED DOCUMENT FOR TYCO ELECTRONICS CORPORATION
IT IS SUBJECT TO CHANGE AND THE CONTROLLING ENGINEERING ORGANIZATION
SHOULD BE CONTACTED FOR THE LATEST REVISION.

DIMENSIONS: 単位：mm	TOLERANCES UNLESS OTHERWISE SPECIFIED:
	0 PLC ±
	1 PLC ±
	2 PLC ±
	3 PLC ±
	4 PLC ±
ANGLES	±

MATERIAL 材料	FINISH 仕上
-	-

DWN	H. SASAKI
CHK	Y. OIKAWA
APVD	A. NAGAI
PRODUCT SPEC 製品規格	-
APPLICATION SPEC 取付適用規格	-
WEIGHT	-

Tyco Electronics EC K. K. Tochigi, Japan		NAME 名称	
		OSA-SS-DM5,000,000M	
SIZE A3	CAGE CODE 00779	DRAWING NO 番号 5-1419124-7	RESTRICTED TO -

CUSTOMER DRAWING SCALE 4:1 SHEET 1 OF 2 REV D

