

4

3

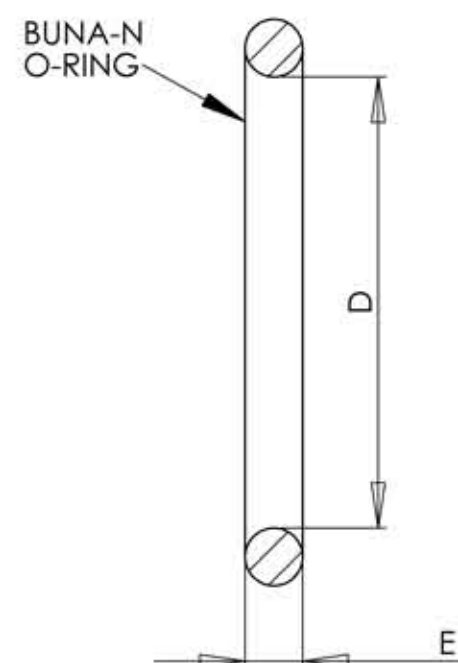
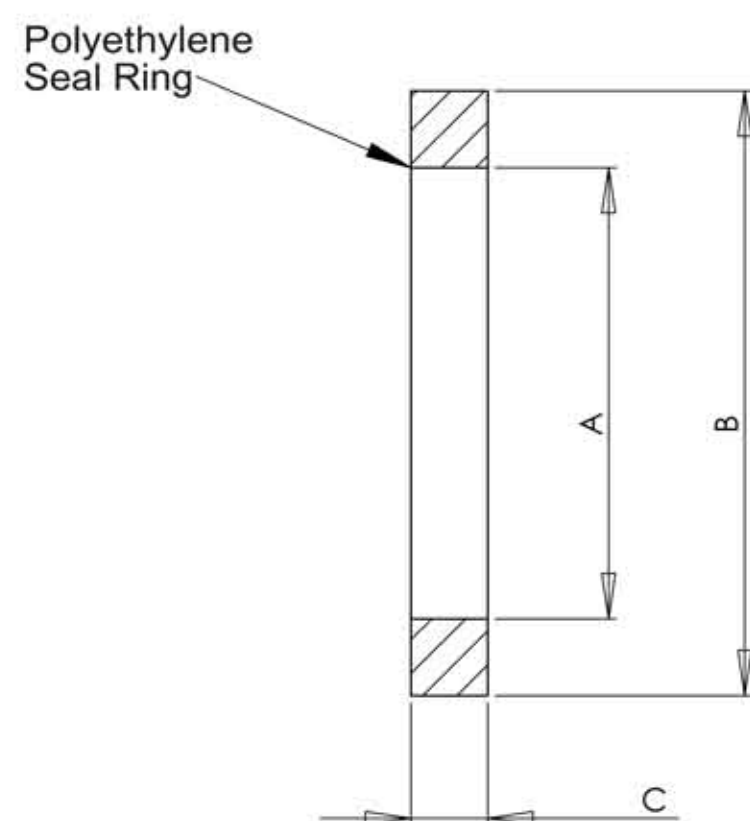
2

1

PART NUMBERS		FIT THREAD SIZES	DIMENSIONS INCHES (MM) DIMENSIONS INCHES (MM)				
			Seal Rings			O-Rings	
Seal Rings	O-Rings		A	B	C	D	E
SM-12-NY SR-07-NY	OM-12-BN OR-07-BN	M12 x 1,5 PG 7 / 1/4" NPT	.47 (12) .49 (12.5)	.63 (16) .65 (16.5)	.08 (2) .08 (2)	.39 (10) .39 (10)	.06(1.5) .06(1.5)
SR-09-NY SR-11-NY	OR-09-BN OR-38-BN	PG 9 3/8" NPT	.60 (15.2) .73 (18.6)	.75 (19) .89 (22.5)	.08 (2) .08 (2)	.47 (12) .51 (13)	.06(1.5) .08 (2)
SM-16-NY SR-11-NY	OM-16-BN OR-11-BN	M16 x 1,5 PG 11	.63 (16) .73 (18.5)	.77 (19.5) .89 (22.5)	.08 (2) .08 (2)	.47 (12) .63 (16)	.06(1.5) .06(1.5)
SM-20-NY SR-13-NY	OM-20-BN OR-13-BN/OR-18-BN	M20 x 1,5 PG 13.5 / 1/2" NPT	.79 (20) .80 (20.4)	.94 (24) .98 (25)	.08 (2) .08 (2)	.67 (17) .67(17)/.75(19)	.07(1.8) .07(1.8)
SR-16-NY SM-25-NY	OR-16-BN OM-25-BN	PG 16 M25 x 1,5	.89 (22.5) .98 (25)	1.06 (27) 1.24(31.5)	.08 (2) .08 (2)	.71 (18) .87 (22)	.06 (1.5) .08 (2)
SR-21-NY SR-34-NY	OR-21-BN OM-34-BN	PG 21 3/4" NPT	1.11 (28.3) 1.06 (27)	1.32(33.5) 1.43 (36)	.08 (2) .06 (1.5)	1.02 (26) .87 (22)	.08 (2) .08 (2)
SM-32-NY SR-29-NY	OM-32-BN OR-29-BN	M32 x 1,5 PG 29	1.26 (32) 1.46 (37)	1.52(38.5) 1.71(43.5)	.08 (2) .08 (2)	1.14 (29) 1.30 (33)	.08 (2) .08 (2)
	OR-10-BN OR-54-BN	1" NPT 1-1/4" NPT	-- --	-- --	-- --	1.14 (29) 1.50 (38)	.08 (2) .10(2.5)
SM-40-NY SR-36-NY	OM-40-BN OR-36-BN/OR-64-BN	M40 x 1,5 PG 36 / 1-1/2" NPT	1.57 (40) 1.85 (47)	2.09 (53) 2.16 (55)	.08 (2) .08 (2)	1.38 (35) 1.73 (44)	.08 (2) .10(2.5)
SM-50-NY SR-42-NY	OM-50-BN OR-42-BN	M50 x 1,5 PG 42	1.97 (50) 2.13 (54)	2.30 (60) 2.48 (63)	.08 (2) .08 (2)	1.69 (43) 1.97 (50)	.08 (2) .08 (2)
SR-48-NY SM-63-NY	OR-48-BN OM-63-BN	PG 48 M63 x 1,5	2.33 (59.3) 2.48 (63)	2.72 (69) 2.87 (73)	.08 (2) .08 (2)	2.16 (55) 2.16 (55)	.08 (2) .08 (2)

**O-Rings & Seal Rings are also available in Viton®. See numbering system above.
To order substitute "BN"(Buna-N) / "NY"(Polyethylene) with "VT".**

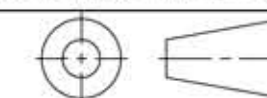
**O-Ring is also available in Silicone. See numbering system above.
To order substitute "BN"(Buna-N) / "NY"(Polyethylene) with "SI".**



NOTES:

- 1) GENERAL DIMENSIONS DRAWINGS.
- 2) DIMENSIONS [] ARE IN INCHES.
- 3) DIMENSIONS NOTED ARE FOR REFERENCE ONLY.

Third angle projection



SEALCON

14853 HINDSDALE AVE, SUITE D
CENTENNIAL, CO 80112-4240, USA
TEL: +1-303-699-1135
TOLL FREE: +1-800-456-9012
E MAIL: info@sealconusa.com,
WEBSITE: www.sealconusa.com

hummel