

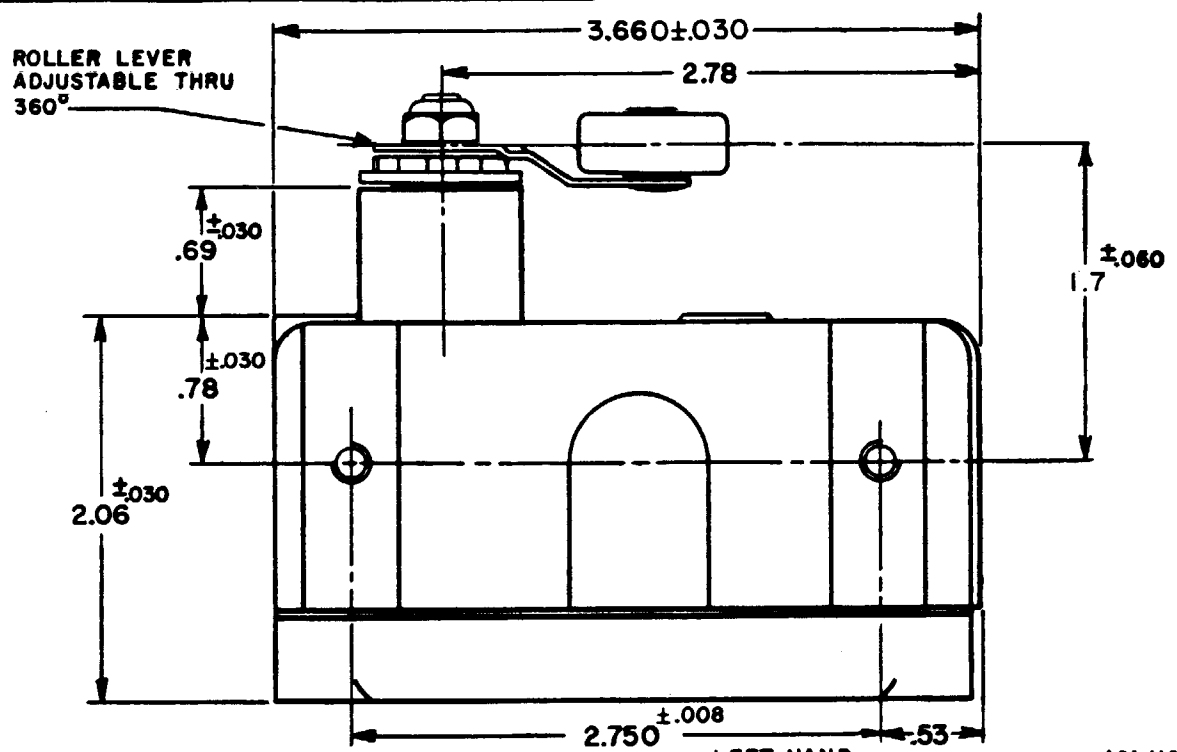
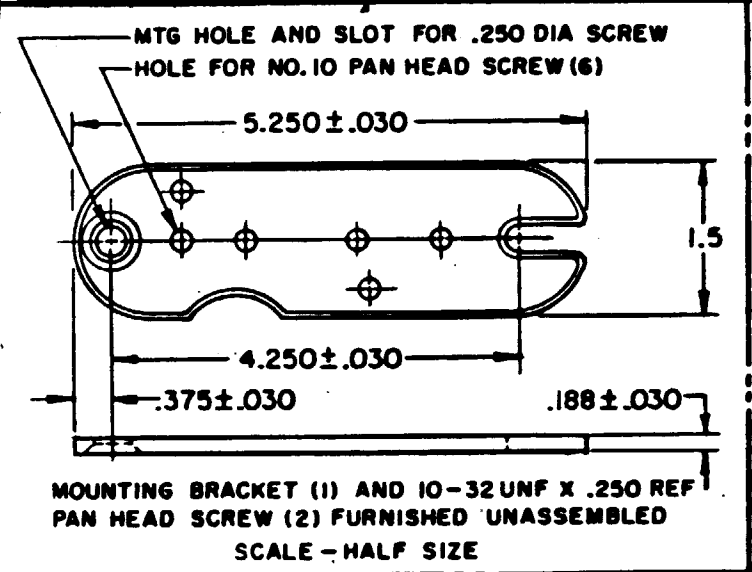
(M) OPD-AR30 ISSUE 1
 OPD-AR30
 M
 DRAWING NUMBER
 ISSUE
 REVISIONS
 A C.O. 9182
 B C.O. 11034
 C C.O. 13350
 D C.O. 13827
 E C.O. 15608
 F C.O. 18276
 G C.O. 20806
 H C.O. 19878
 J C.O. 22672
 K C.O. 26103
 L C.O. 55031
 C.M.A. 12 SEPT. 55
 74-98.3
 DRAWN

MICRO SWITCH
 A DIVISION OF INTERNATIONAL RECTIFIER COMPANY
 FREDERICK, MICHIGAN
 FED. MFR. CODE 91929

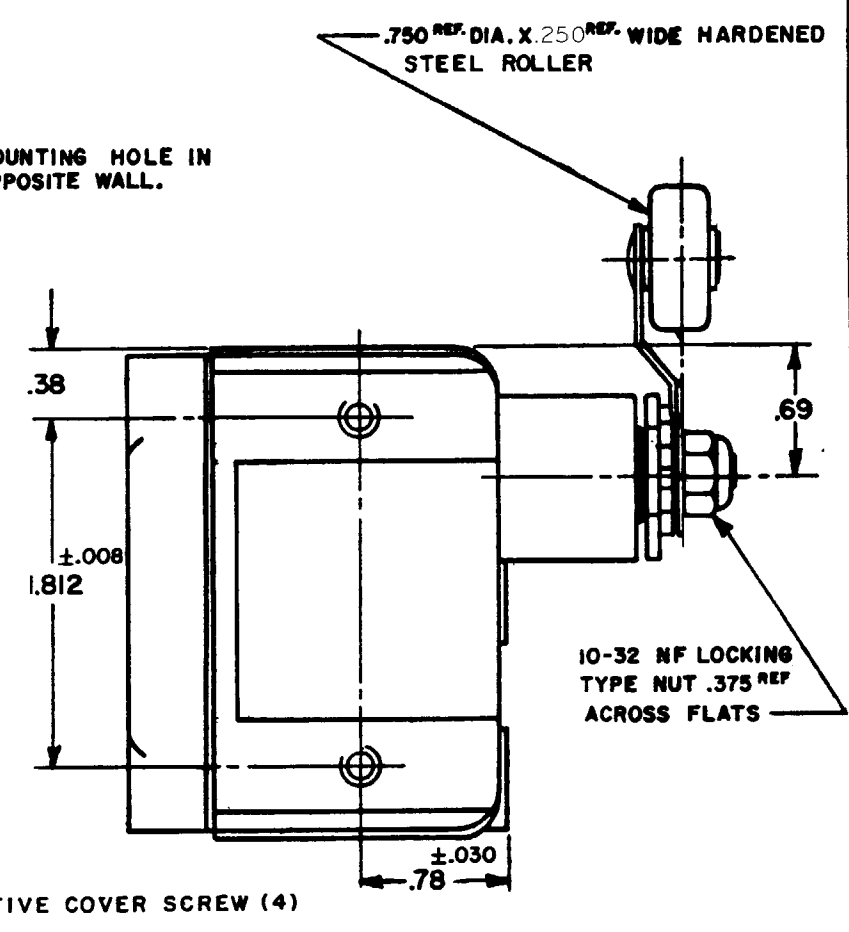
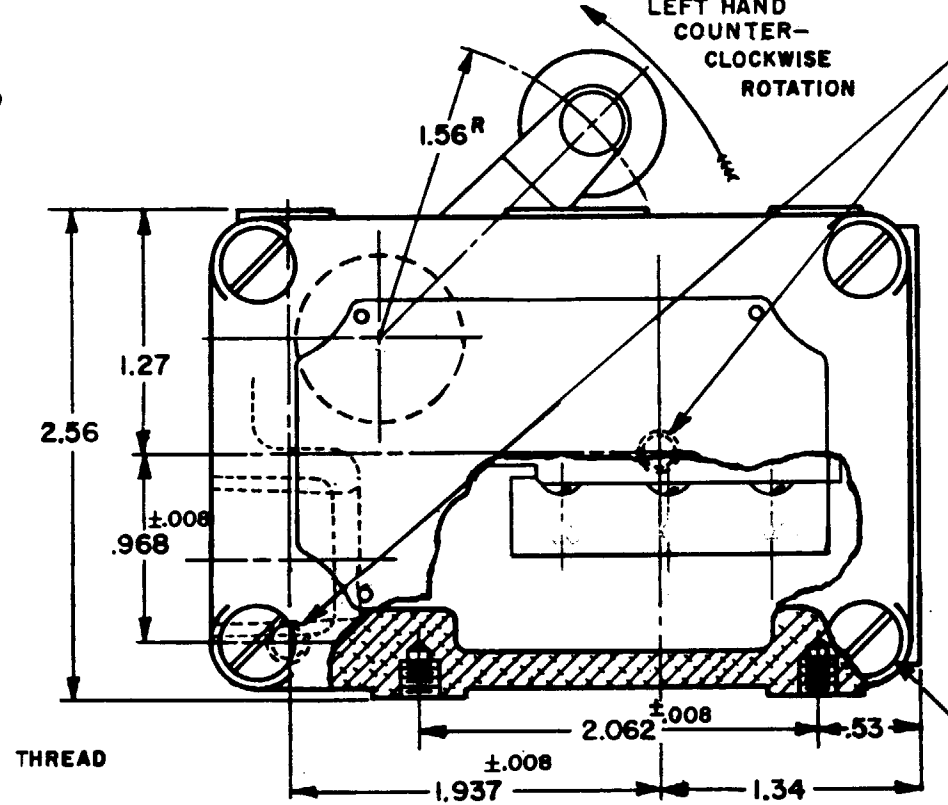
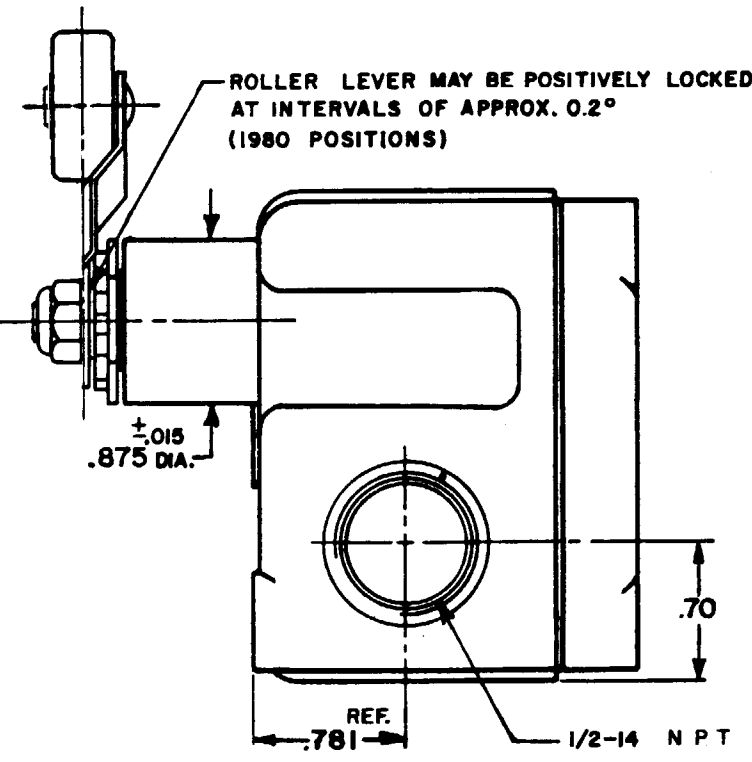
SWITCH-ENCLOSED

CATALOG LISTING
OPD-AR30

THIS DRAWING COVERS A PROPRIETARY ITEM AND IS THE PROPERTY OF MICRO SWITCH, A DIVISION OF HONEYWELL. THIS DRAWING IS NOT TO BE COPIED OR USED WITHOUT THE APPROVAL OF MICRO SWITCH.



M C055987
 JAS
 5 NOV 94
 N C073344
 G J W
 10 OCT 92
 P C074362
 YSM
 10 FEB 93
 R C077285
 KEU
 19 APR 94
 CO
 81637
 GLH
 25MAR98



CHARACTERISTICS
OPERATING FORCE --- 2 3/4 LB MAX
PRETRAVEL --- .219 MAX (8°)
DIFFERENTIAL TRAVEL --- .109 MAX (4°)
OVERTRAVEL --- DO NOT OVERTRAVEL MORE THAN 25°
BASIC SWITCH REPLACEMENT DT-2R7II-A7

ELECTRICAL DATA
CONTACT ARRANGEMENT D P D T
-L59- 10 A-125 OR 250 VAC 0.3 A-125 VDC; 0.15 A-250 VDC

SCALE FULL
DO NOT SCALE PRINT
UNLESS OTHERWISE SPECIFIED DIMENSIONS ARE IN INCHES
TOLERANCES ARE:
ONE PLACE (.0) ±.030
TWO PLACE (.00) ±.018
THREE PLACE (.000) ±.008
ANGLES ±
WEIGHT

- NOTES
 1 - (8) MOUNTING SCREW HOLES, 10-32 NF-2B THREADS X .219 REF DEEP
 2 - 4-40 NC X .125 REF ROUND HEAD TERMINAL, SCREWS AND LOCKWASHERS
 3 - SEALED CONSTRUCTION PROVIDES SPLASH RESISTANCE