

MICRO SWITCH

A DIVISION OF MINNEAPOLIS-HONEYWELL REGULATOR COMPANY
 ST. LOUIS, MISSOURI
 FEDERAL MANUFACTURER'S CODE 91929

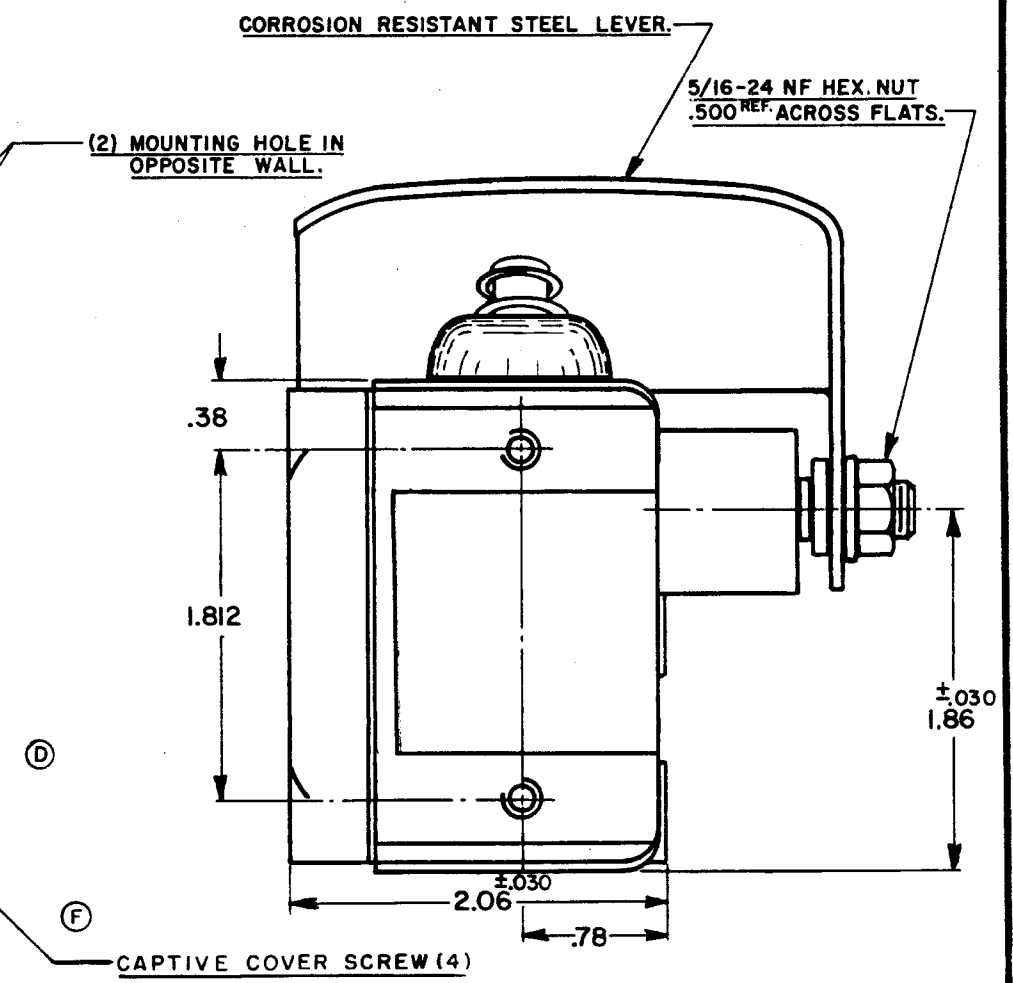
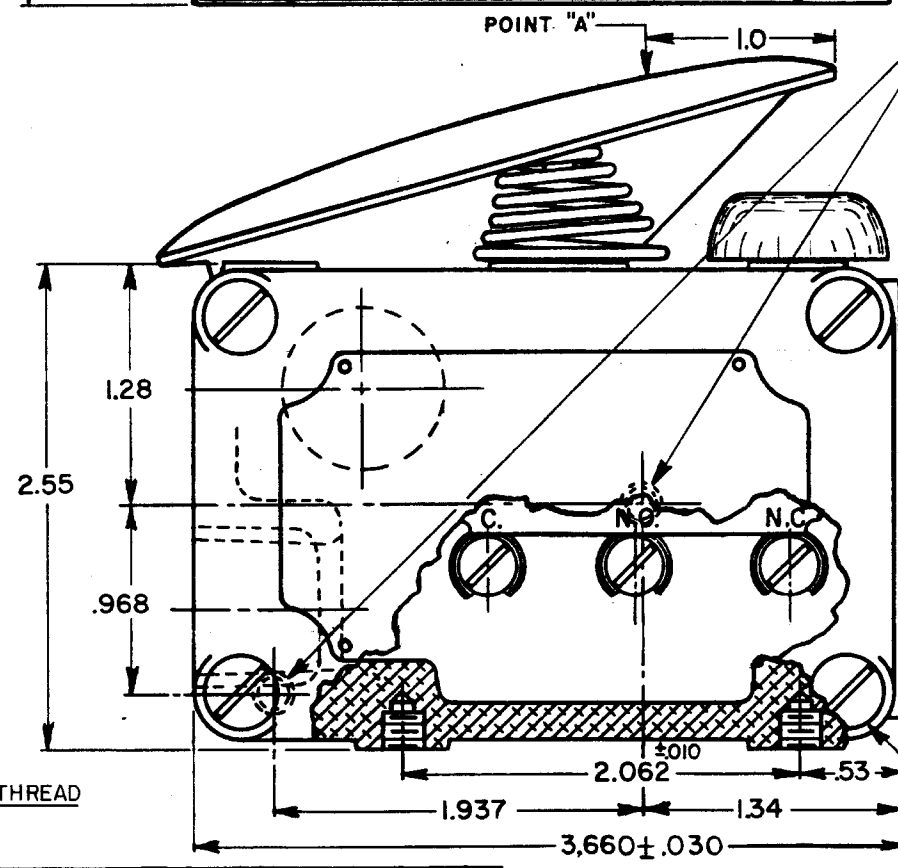
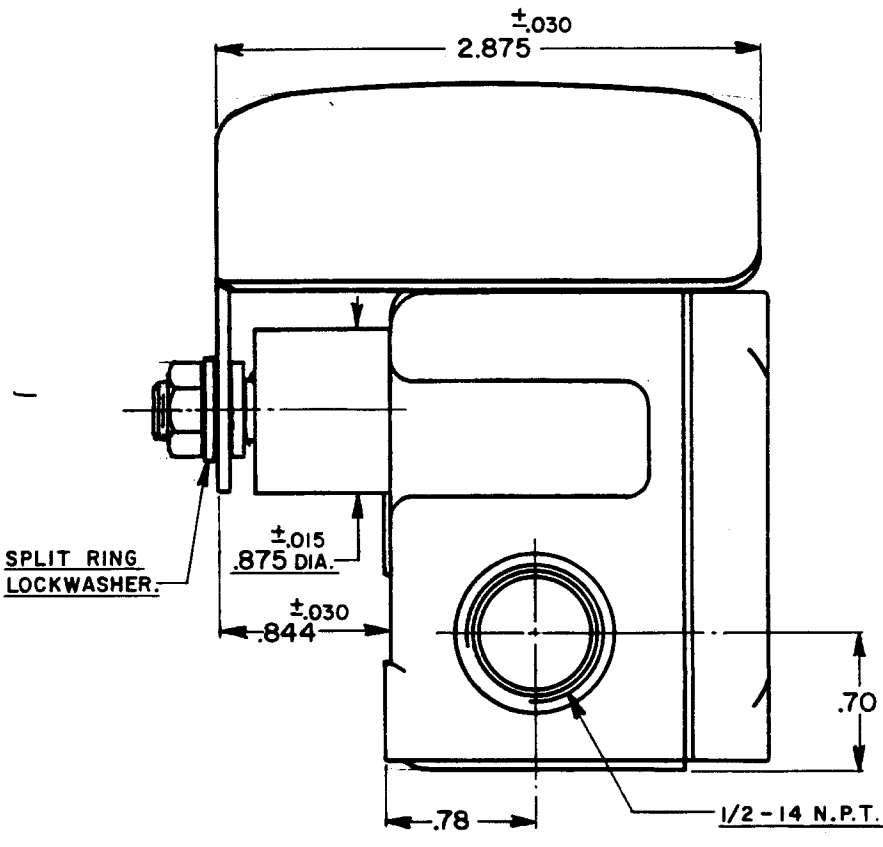
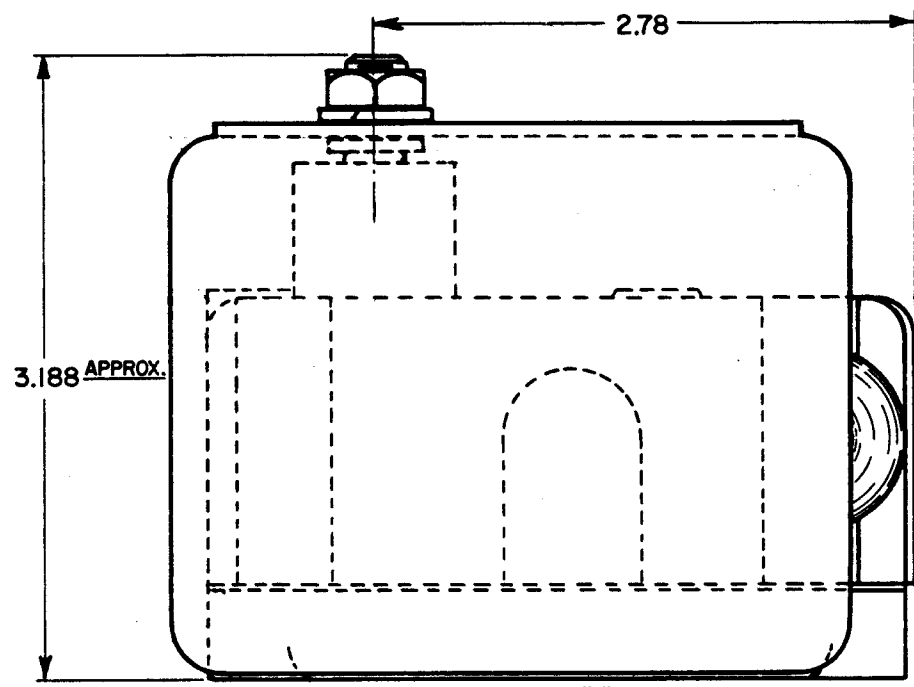
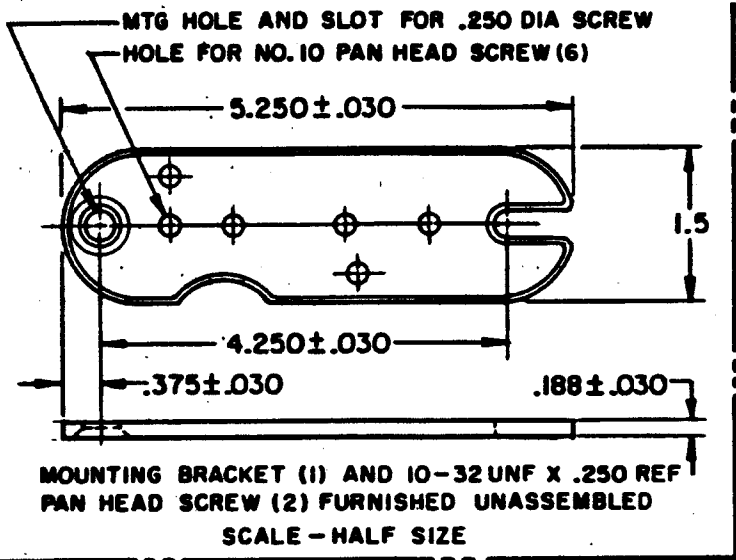
SWITCH-ENCLOSED

CATALOG LISTING
OP-AR50

THIS DRAWING COVERS A PROPRIETARY ITEM AND IS THE PROPERTY OF MICRO SWITCH, A DIVISION OF HONEYWELL. THIS DRAWING IS NOT TO BE COPIED OR USED WITHOUT THE APPROVAL OF MICRO SWITCH.

OP-AR50
 DRAWING NUMBER
M
 ISSUE
12/13/20

REVISIONS
 A CO. 9182
 A.A.S. 7 SEPT. 55
 B CO13827
 L.S.D. 16 JULY 59
 C CO15608
 M.B.F. 10 FEB 61
 D CO17653
 CO16851
 M.B.F. 10 DEC 62
 E CO18276
 O.M.W. 22 JUN 64
 F CO19878
 M.B.F. 3 NOV 66
 G CO26103
 D.L.F. 21 JUL 69
 H CO55987
 J.A.S. 5 NOV 84
 J CO56738
 K.J.S. 28 JAN 85
 K CO55031J
 J.A.S. 26 APR 85
 L CO73344
 G.J.W. 2 OCT 92



CHARACTERISTICS (AT "A")
OPERATING FORCE ---- 2 1/2 LBS. APPROX.
PRETRAVEL ----- .156 APPROX.
DIFFERENTIAL TRAVEL ----- .003 APPROX.
OVERTRAVEL ----- .125 MIN.
BASIC SWITCH REPLACEMENT --- BZ-2R-P4

ELECTRICAL DATA
CONTACT ARRANGEMENT S.P.D.T.
-L96- 15 A-125, 250, OR 480 VAC 1/2 A-125 VDC; 1/4 A-250 VDC 1/8 HP-125 VAC; 1/4 HP-250 VAC

SCALE FULL
DO NOT SCALE PRINT
UNLESS OTHERWISE SPECIFIED DIMENSIONS ARE IN INCHES
TOLERANCES ARE:
ONE PLACE (.0) ± .030
TWO PLACE (.00) ± .015
THREE PLACE (.000) ± .005
ANGLES ±
WEIGHT

NOTE-
 1- SEALED CONSTRUCTION PROVIDES SPLASH RESISTANCE.
 2-(6) MOUNTING SCREW HOLES, 10-32 NF THREADS X .219^{REF.} DEEP.
 3-8-32 NC X .219^{REF.} BINDER HEAD TERMINAL SCREWS AND CUP WASHERS.