

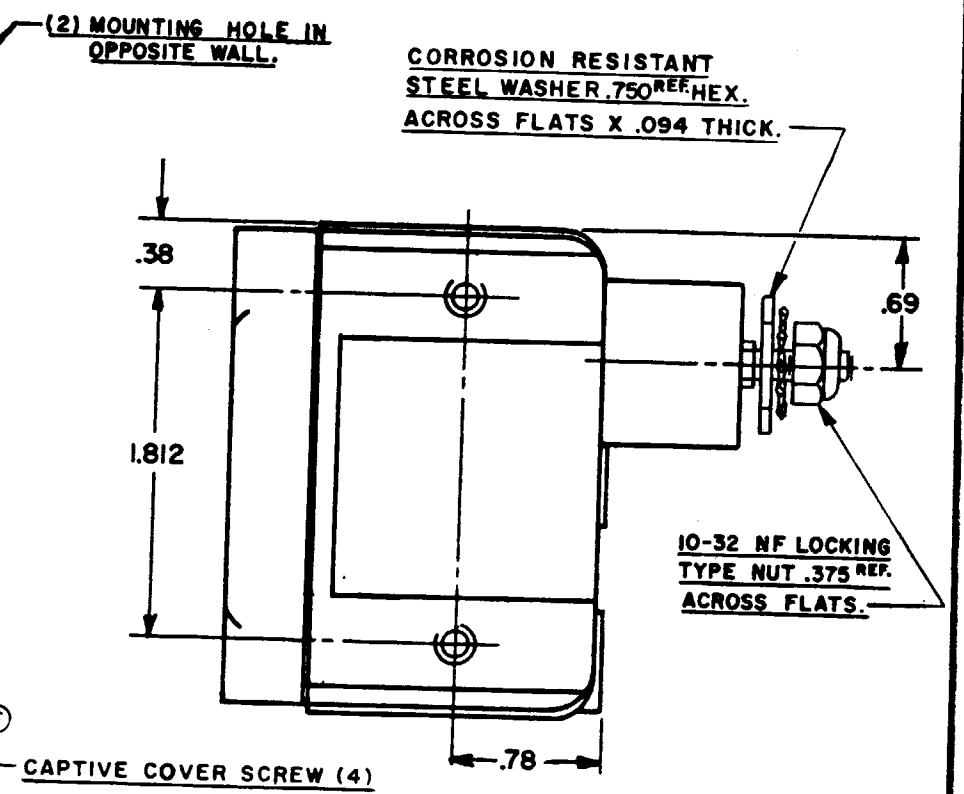
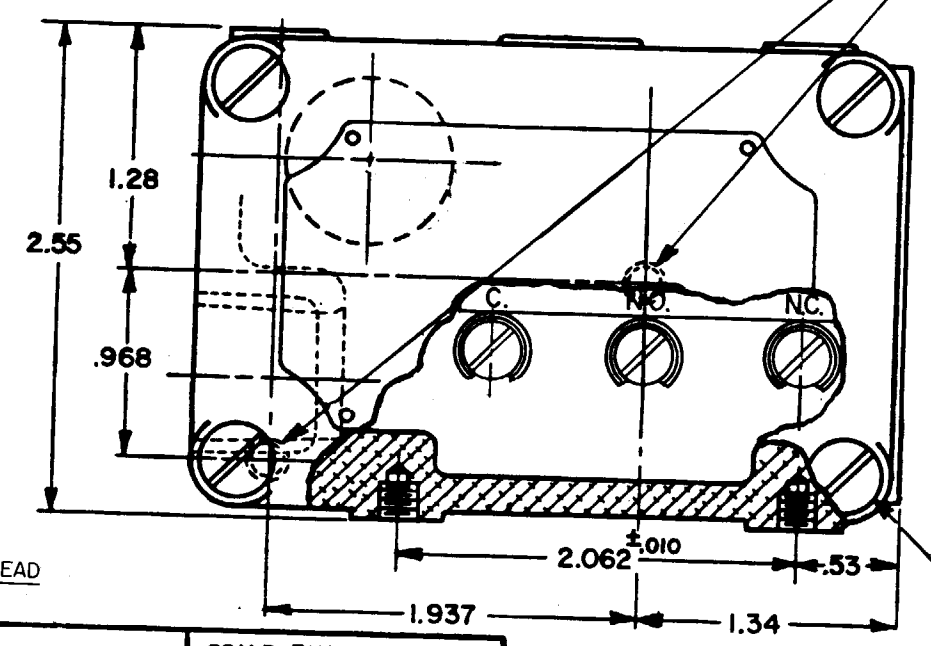
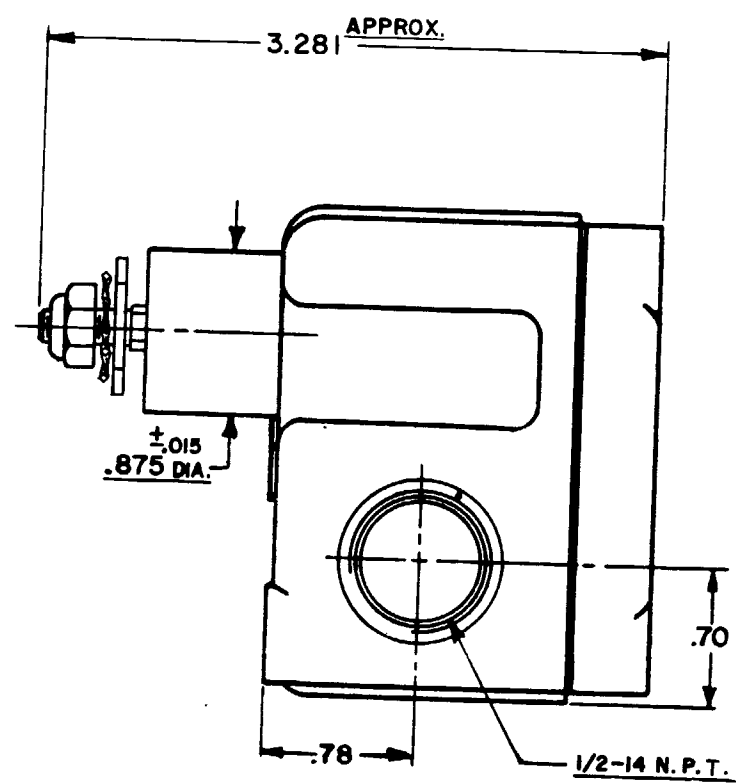
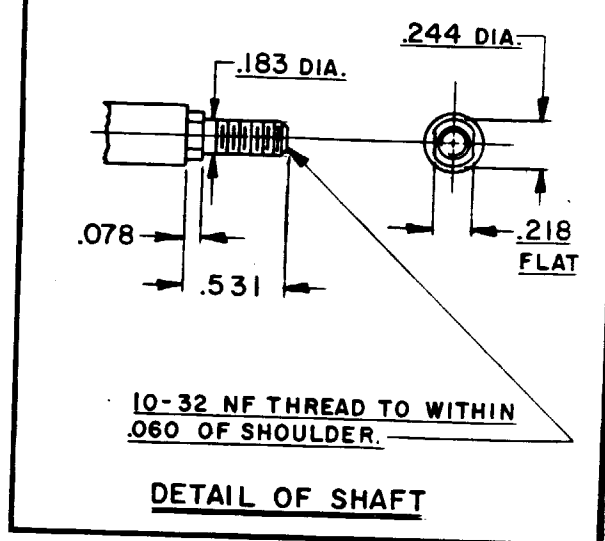
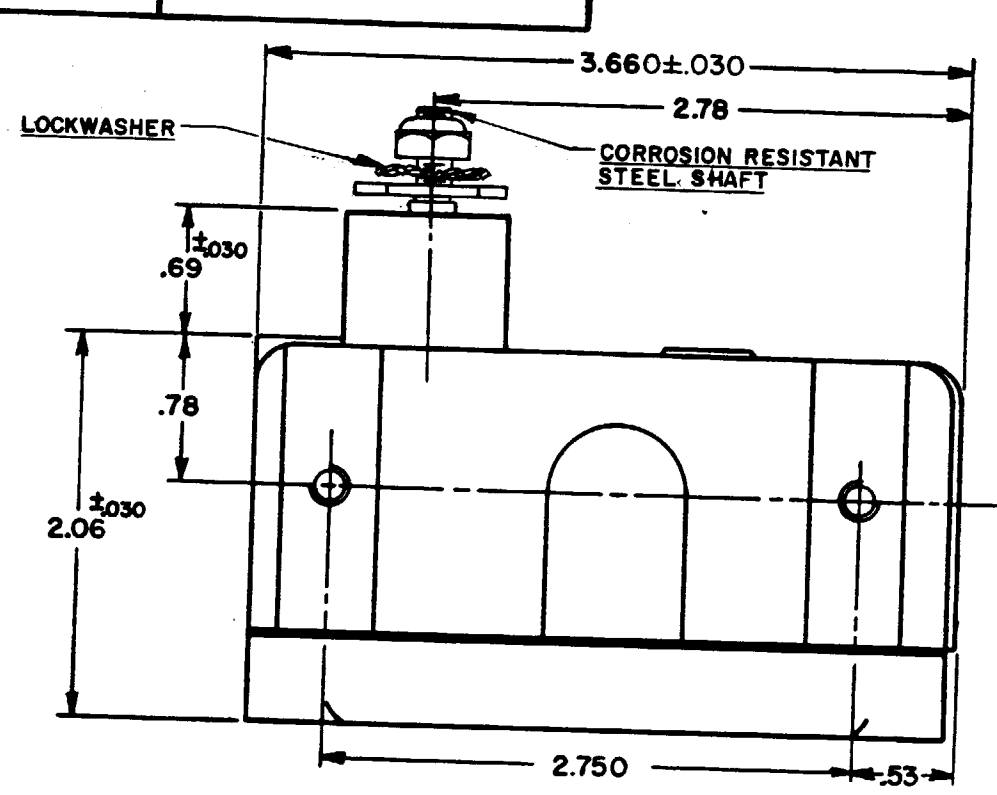
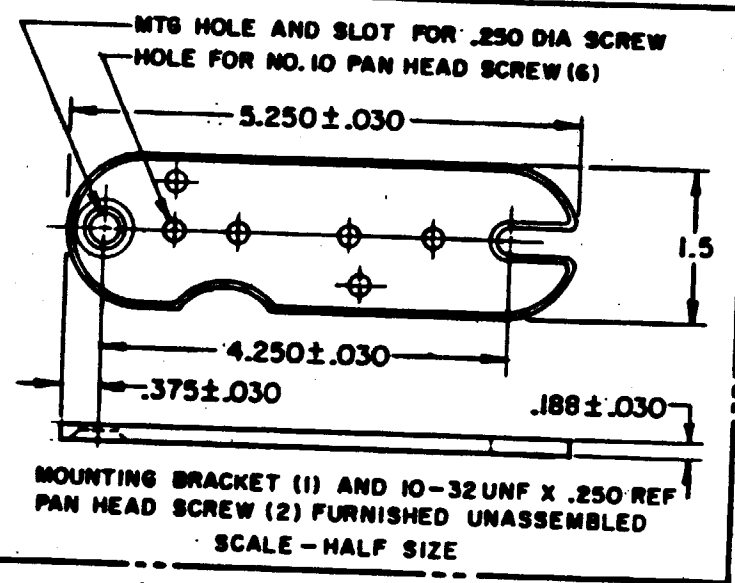
**MICRO SWITCH**  
 A DIVISION OF HONEYWELL-ROSEMOUNT REGULATOR COMPANY  
 GREAT BRITAIN  
 FED. MFR. CODE 91929

**SWITCH - ENCLOSED**

CATALOG LISTING  
**OP-AR20**

OP-AR20  
 DRAWING NUMBER  
 M  
 ISSUE 2  
 18  
 REVISIONS  
 A C.O. 9182  
 C.M.A. 22 AUG. 55  
 B CO15827  
 L.S.D. 16 JULY 59  
 C CO 18608  
 M.B.F. 10 FEB 61  
 D CO17853  
 CO16851  
 M.B.F. 10 DEC 62  
 E CO18276  
 O.M.W. 19 JUN 64  
 F CO19878  
 M.B.F. 11 NOV 66  
 G CO26103  
 2 JUL 69  
 H CO55987  
 JAS 5 NOV 84  
 J CO55031 J  
 JAS 26 APR 85  
 K CO73344  
 G.J.W. 26 SEP 92  
 C.M.A. 22 AUG 55  
 74-963

(M) OP-AR20  
 ISSUE 8  
 REPLACES  
 RELEASE NO.  
 A.C.G. 7 SEPT. 55  
 CHECK  
 C.N.T. 7 SEPT. 55  
 CHECK  
 G.C.H. 12 SEPT. 55  
 CHECK  
 G.J.W. 26 SEP 92



**CHARACTERISTICS**

OPERATING FORCE 12.5-31.25 OZ. IN. TORQUE

RELEASE FORCE - 6.25 OZ. IN. MIN. TORQUE

PRETRAVEL - 8° MAX.

DIFFERENTIAL TRAVEL - 1/4" MAX.

OVERTRAVEL - DO NOT OVERTRAVEL MORE THAN 90°

SWITCH BASIC REPLACEMENT BZ-2R-P4

**ELECTRICAL DATA**

CONTACT ARRANGEMENT S.P.D.T.

-L96- 15 A-125, 250, OR 480 VAC  
 1/2 A-125 VDC; 1/4 A-250 VDC  
 1/8 HP-125 VAC; 1/4 HP-250 VAC

SP RJ

**SCALE FULL**

DO NOT SCALE PRINT

UNLESS OTHERWISE SPECIFIED DIMENSIONS ARE IN INCHES

**TOLERANCES ARE:**

ONE PLACE	(.0)	±.030
TWO PLACE	(.00)	±.018
THREE PLACE	(.000)	±.008
ANGLES		±

WEIGHT

- NOTE-**
- (8) MOUNTING SCREW HOLES, 10-32 NF-2B THREADS X .219 REF. DEEP.
  - 8-32 NC X .219 REF. BINDER HEAD TERMINAL SCREWS AND CUP WASHERS.
  - SEALED CONSTRUCTION PROVIDES SPLASH RESISTANCE.
  - SWITCH OPERATES ON RIGHT HAND CLOCKWISE ROTATION.

THIS DRAWING COVERS A PROPRIETARY ITEM AND IS THE PROPERTY OF MICRO SWITCH, A DIVISION OF HONEYWELL. THIS DRAWING IS NOT TO BE COPIED OR USED WITHOUT THE APPROVAL OF MICRO SWITCH.