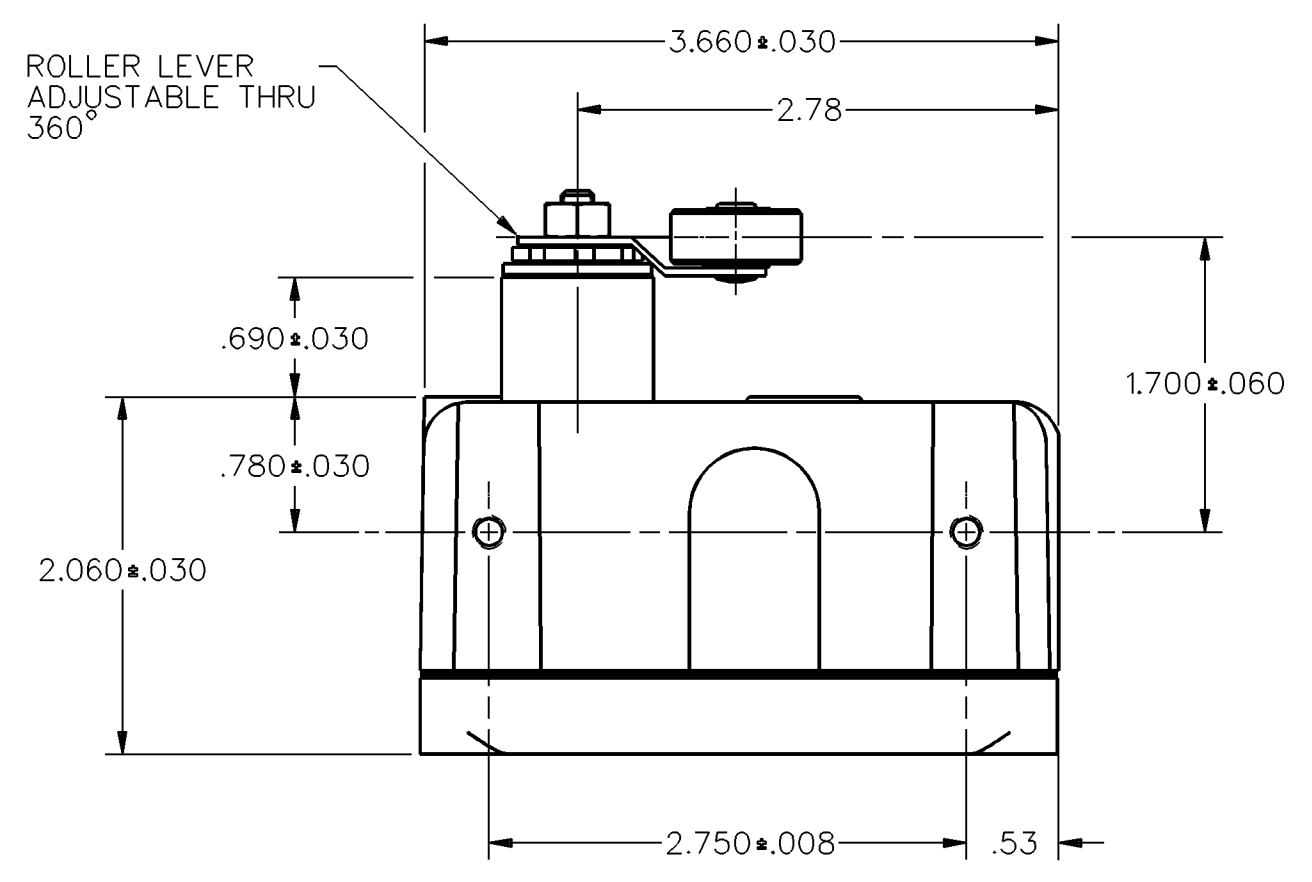
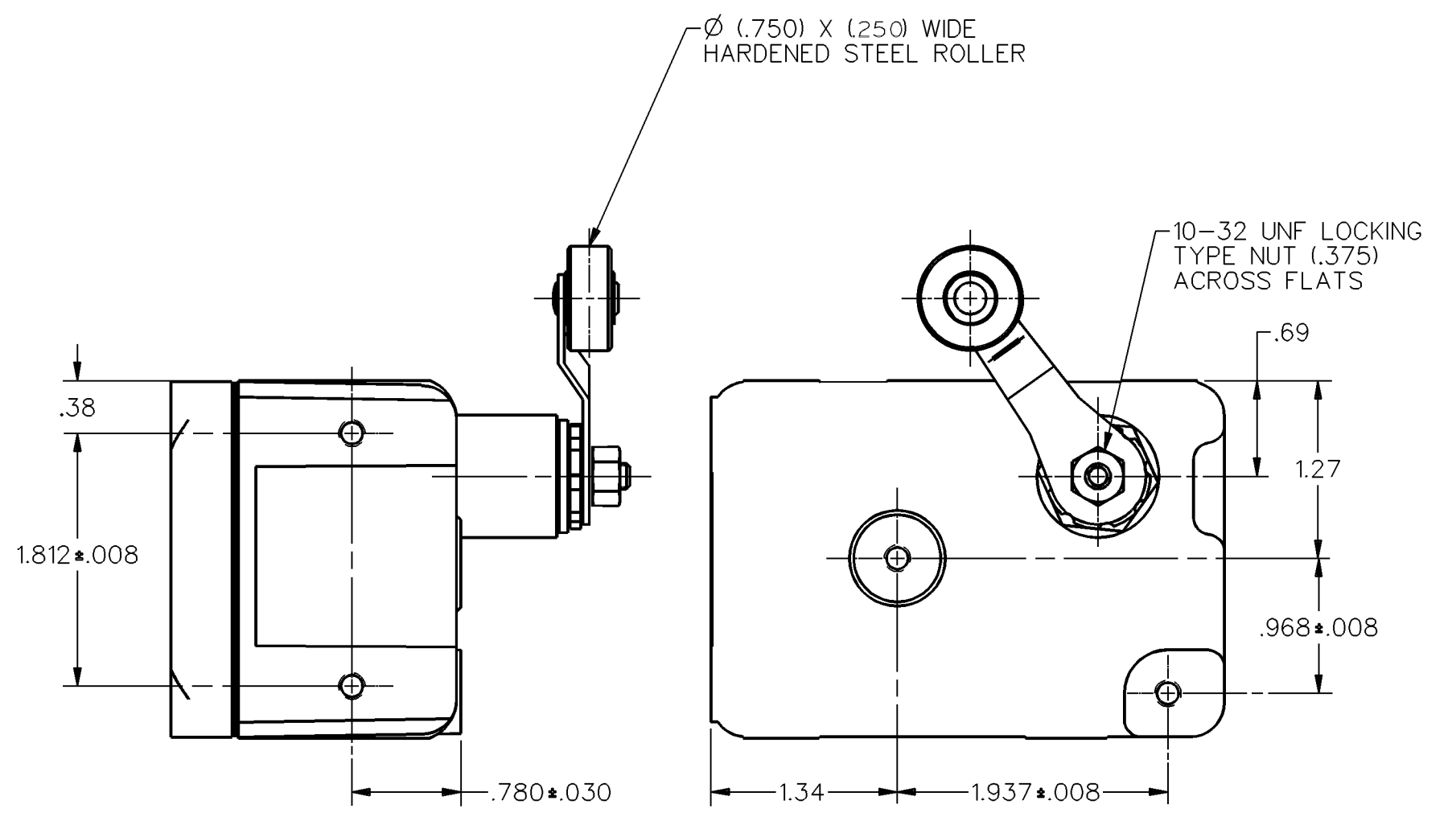
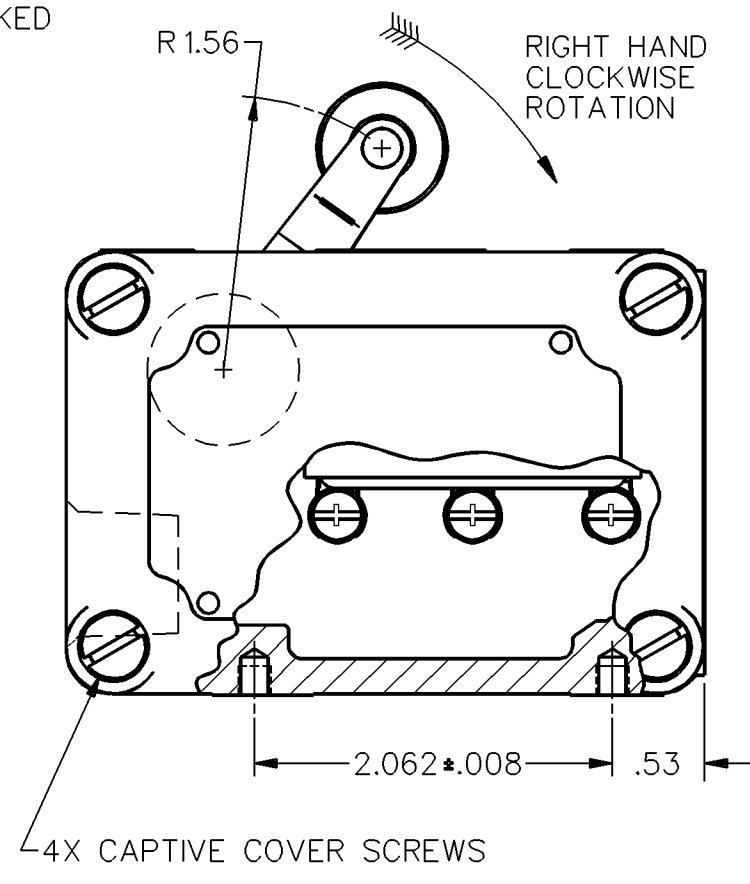
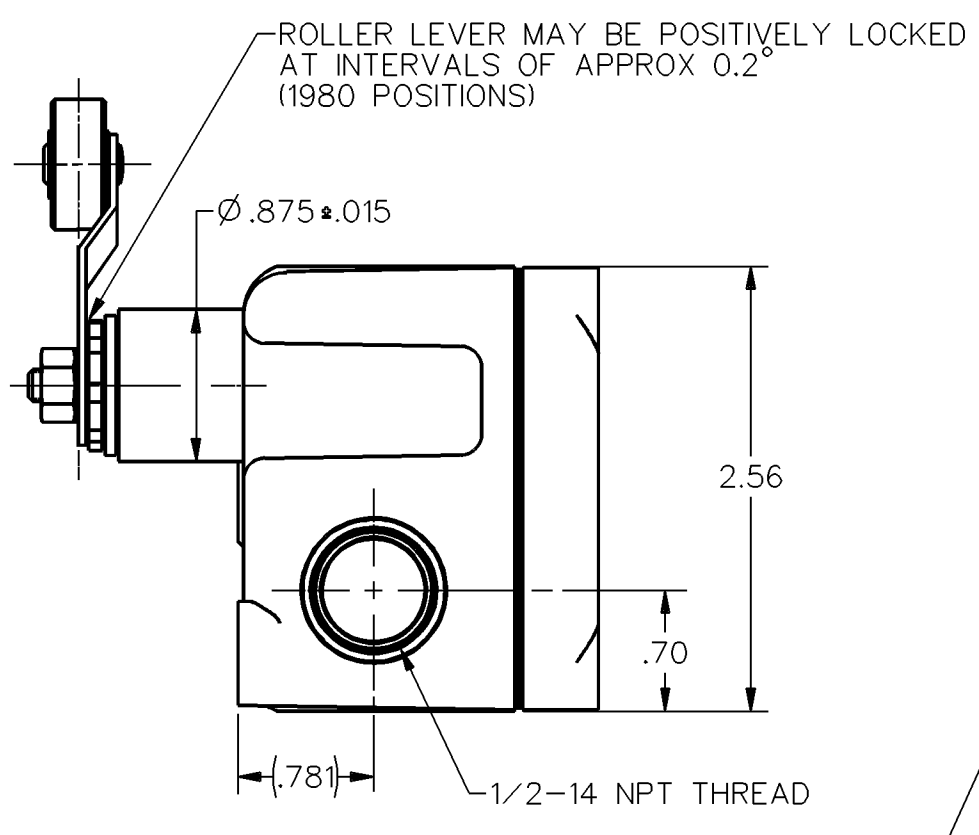


DDM/CAD DRAWN
 MAM 9 DEC 91 CHECK
 TSM 12 DEC 91 CHECK
 GLEH 19 MAR 98
 19 MAR 98
 81637
 CC
 20 OCT 92
 MAM
 073544
 A

ISSUE 23
 DRAWING NUMBER
 M OP-AR141
 REPLACES PR-19685



NOTES
 1 - 8X MOUNTING SCREW HOLE, 10-32 UNF-2B THREADS X (.219) DEEP
 2 - 8-32 UNC X (.219) TERMINAL SCREWS AND CUPWASHERS
 3 - SEALED CONSTRUCTION PROVIDES SPLASH RESISTANCE



| CHARACTERISTICS | ELECTRICAL DATA |
|---------------------------------------|--------------------------------|
| OPERATING FORCE ----- 1/2 - 1 1/4 LB | CONTACT ARRANGEMENT S P D T |
| RELEASE FORCE ----- 1/4 LB MIN | L96 |
| PRETRAVEL ----- .219 MAX 8° | 15A 125, 250 OR 480 VAC |
| DIFFERENTIAL TRAVEL --- .007 MAX 1/4° | 1/8HP 125 VAC, 1/4HP 250 VAC |
| DO NOT OVERTRAVEL MORE THAN --- 90° | 1/2A 125 VDC, 1/4A 250 VDC |
| SWITCH - BASIC REPLACEMENT---BZ-2R-P4 | |



MASTER REDUCED
 ANSI Y14.5M-1982 APPLIES

THIS DRAWING COVERS A PROPRIETARY ITEM AND IS THE PROPERTY OF MICRO SWITCH, A DIVISION OF HONEYWELL. THIS DRAWING IS NOT TO BE COPIED OR USED WITHOUT THE APPROVAL OF MICRO SWITCH.

MICRO SWITCH
 a Honeywell Division

SWITCH - ENCLOSED

CATALOG LISTING
OP-AR141

FED. MFG. CODE 91929

| THIRD ANGLE PROJECTION | |
|---|--------------|
| SCALE | FULL |
| DO NOT SCALE PRINT | |
| UNLESS OTHERWISE SPECIFIED TOLERANCES ARE | |
| ONE PLACE | (.0) ±.030 |
| TWO PLACES | (.00) ±.015 |
| THREE PLACES | (.000) ±.005 |
| ANGLES | ± |
| WEIGHT | |