

THIS DRAWING IS UNPUBLISHED.

RELEASED FOR PUBLICATION

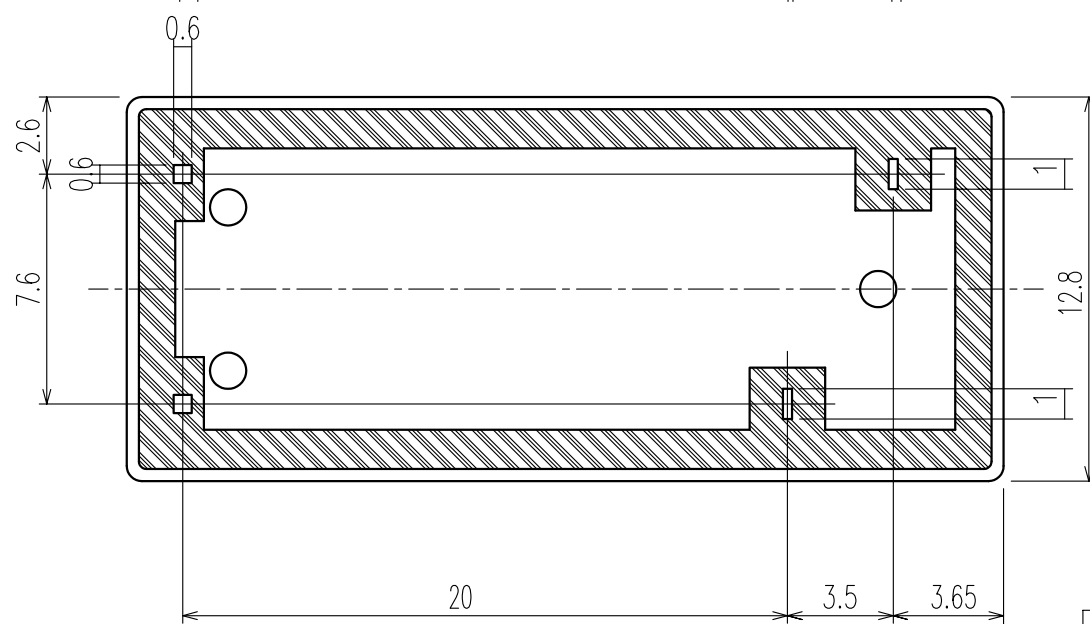
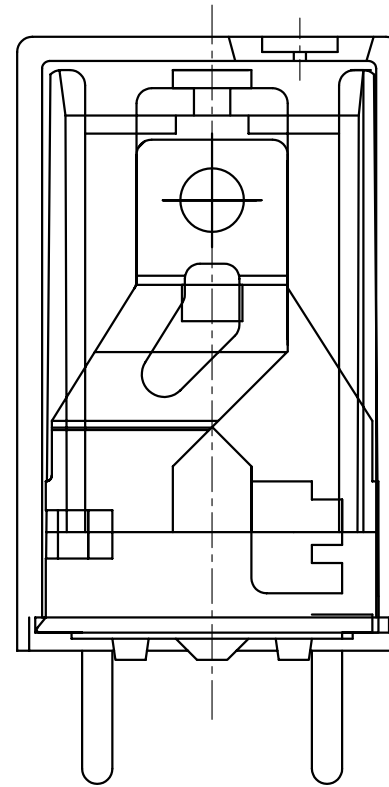
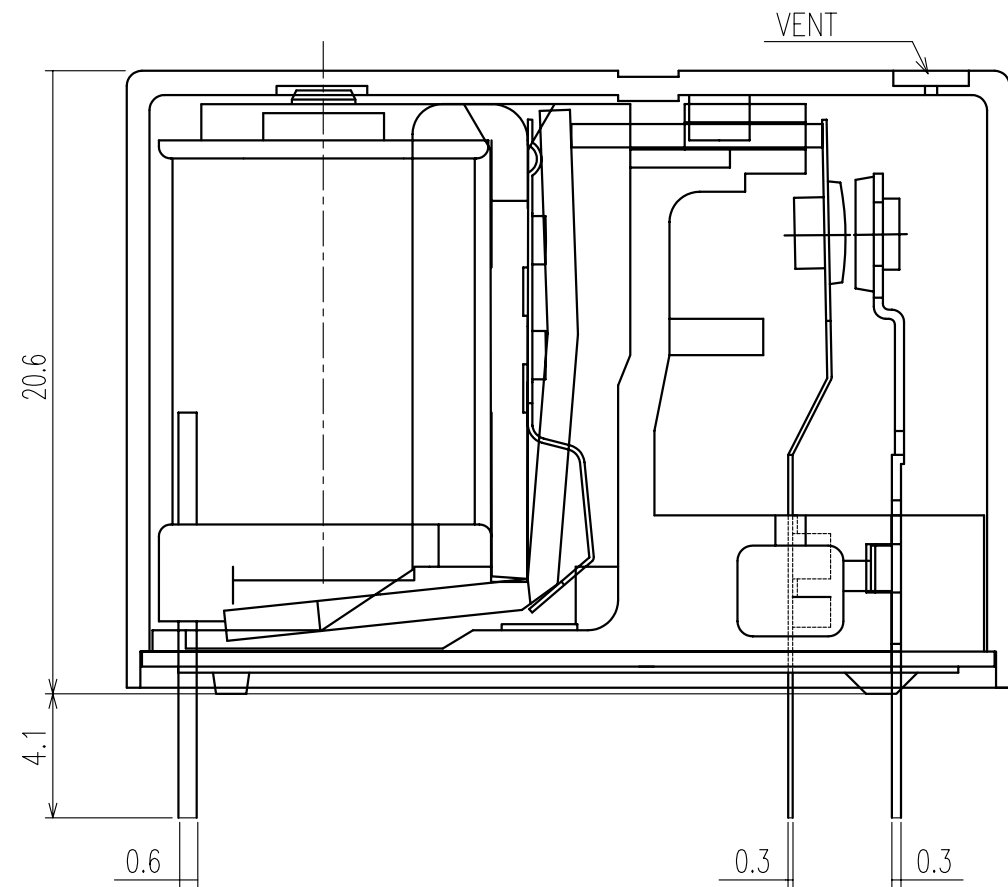
LOC

DIST

REVISIONS

© COPYRIGHT BY TYCO ELECTRONICS CORPORATION. ALL RIGHTS RESERVED.

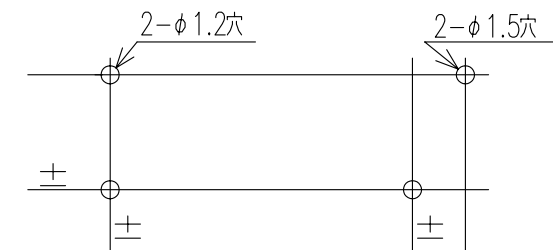
P	LTR	DESCRIPTION	ECN	DATE	DWN	APVD
	A1	RELEASE		17-MAR-06	Y.X	N.F



CONNECTION DIAGRAM
(BOTTOM VIEW)



DRILLING DIAGRAM(2/1)
(BOTTOM VIEW)



DIMENSION TOLERANCE	
MAX .1mm	±0.1
1mm~MAX.3mm	±0.2
MIN .3mm	±0.3

THIS DRAWING IS A CONTROLLED DOCUMENT FOR TYCO ELECTRONICS CORPORATION
IT IS SUBJECT TO CHANGE AND THE CONTROLLING ENGINEERING ORGANIZATION
SHOULD BE CONTACTED FOR THE LATEST REVISION.

DIMENSIONS: mm	TOLERANCES UNLESS OTHERWISE SPECIFIED:
	0 PLC ±
	1 PLC ±
	2 PLC ±
	3 PLC ±
	4 PLC ±
MATERIAL SEE MATERIAL TABLE	FINISH —

DWN Yang.Xiao	 Tyco Electronics EC K.K. Tochigi, Japan	NAME		
CHK Zhang, xiaoning		OMIT 1M SPEC,300		
APVD C.H.HSU		SIZE A3	CAGE CODE 00779	DRAWING NO 1440001-6
PRODUCT SPEC —		RESTRICTED TO		
APPLICATION SPEC —	SCALE 4:1	SHEET 1 OF 3	REV A1	
WEIGHT —	CUSTOMER DRAWING			

THIS DRAWING IS UNPUBLISHED.

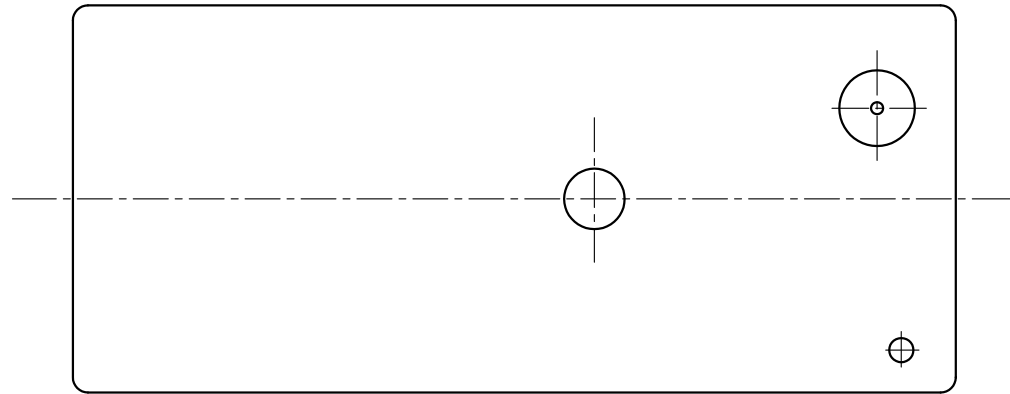
RELEASED FOR PUBLICATION

© COPYRIGHT

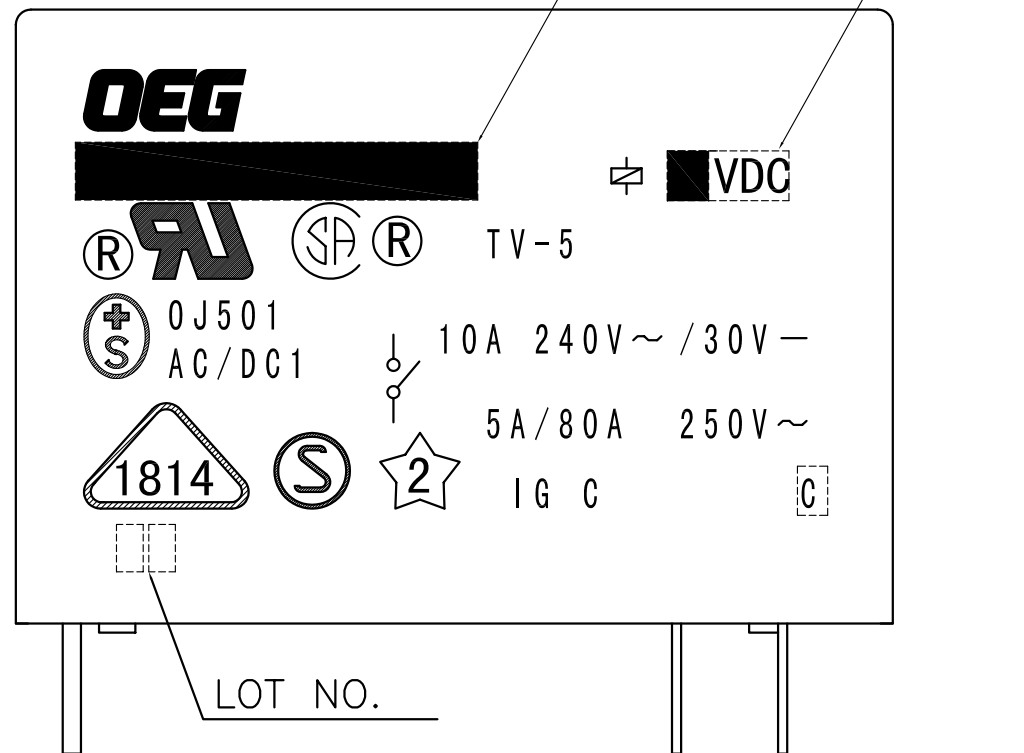
BY TYCO ELECTRONICS CORPORATION. ALL RIGHTS RESERVED.

LOC	DIST	REVISIONS						
		P	LTR	DESCRIPTION	ECN	DATE	DWN	APVD
HH								

VIEW "D"

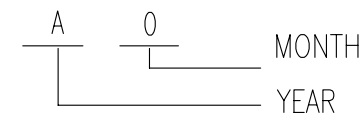


"D"



NOTES:

1.LOT NUMBERING SYSTEM AS FOLLOWS:



THIS DRAWING IS A CONTROLLED DOCUMENT FOR TYCO ELECTRONICS CORPORATION IT IS SUBJECT TO CHANGE AND THE CONTROLLING ENGINEERING ORGANIZATION SHOULD BE CONTACTED FOR THE LATEST REVISION.		DWN	Tyco Electronics EC K.K. Tochigi, Japan	
DIMENSIONS: mm		CHK		
		APVD	NAME OMIT 1M SPEC,300	
TOLERANCES UNLESS OTHERWISE SPECIFIED: 0 PLC ± 1 PLC ± 2 PLC ± 3 PLC ± 4 PLC ±		PRODUCT SPEC	SIZE	
MATERIAL SEE MATERIAL TABLE		APPLICATION SPEC	CAGE CODE	DRAWING NO
FINISH		WEIGHT	A3 00779	1440001-6
		CUSTOMER DRAWING	SCALE 4:1	SHEET 2 OF 3
				REV A1

THIS DRAWING IS UNPUBLISHED.

RELEASED FOR PUBLICATION

© COPYRIGHT

BY TYCO ELECTRONICS CORPORATION. ALL RIGHTS RESERVED.

LOC HH	DIST	REVISIONS						
		P	LTR	DESCRIPTION	ECN	DATE	DWN	APVD


9-1440000-7	OMIT-SH-124LM	24V	OMIT-SH-124LM,300	N
9-1440000-5	OMIT-SH-109LM	9V	OMIT-SH-109LM,300	M
1440001-7	OMIT-SS-148DM	48V	OMIT-SS-148DM,300	l
1440001-8	OMIT-SS-148LM	48V	OMIT-SS-148LM,300	k
1440001-5	OMIT-SS-124DM	24V	OMIT-SS-124DM,300	j
1440001-6	OMIT-SS-124LM	24V	OMIT-SS-124LM,300	i
1-1461208-2	OMIT-SS-112DM	12V	OMIT-SS-112DM,300	h
1440001-4	OMIT-SS-112LM	12V	OMIT-SS-112LM,300	g
1461208-9	OMIT-SS-109DM	9V	OMIT-SS-109DM,300	f
1440001-1	OMIT-SS-109LM	9V	OMIT-SS-109LM,300	e
1461208-5	OMIT-SS-106DM	6V	OMIT-SS-106DM,300	d
1461208-7	OMIT-SS-106LM	6V	OMIT-SS-106LM,300	c
1461208-3	OMIT-SS-105DM	5V	OMIT-SS-105DM,300	b
1440001-0	OMIT-SS-105LM	5V	OMIT-SS-105LM,300	a
PART NO	PART A	PART B	EC TYPE NAME	No.

RELAY TYPE

RELAY TYPE

AR	AR																UV RESIN	UV SEAL	16
AR	AR	AR	AR	AR	AR	AR	AR	AR	AR	AR	AR	AR	AR				EPOXY RESIN	SEAL	15
1	1	1	1	1	1	1	1	1	1	1	1	1	1	UL94 V-0			PBT	CASE	14
AR	AR	AR	AR	AR	AR	AR	AR	AR	AR	AR	AR	AR	AR	CLASS E			UEW	MAGNETIC WIRE	13
1	1	1	1	1	1	1	1	1	1	1	1	1	1	UL94 V-0			PET	BASE	12
1	1	1	1	1	1	1	1	1	1	1	1	1	1	UL94 V-0			PBT	BOBBIN	11
2	2	2	2	2	2	2	2	2	2	2	2	2	2		SOLDER DIP		CP WIRE	COIL TERMINAL	10
1	1	1	1	1	1	1	1	1	1	1	1	1	1	UL94 V-0			PPS	CARD	9
1	1	1	1	1	1	1	1	1	1	1	1	1	1				Ag ALLOY	MOVABLE CONTACT	8
1	1	1	1	1	1	1	1	1	1	1	1	1	1				Ag ALLOY	STATIONARY CONTACT	7
1	1	1	1	1	1	1	1	1	1	1	1	1	1				Cu ALLOY	HINGE SPRING	6
1	1	1	1	1	1	1	1	1	1	1	1	1	1		SOLDER DIP		Cu ALLOY	STATIONARY TERMINAL	5
1	1	1	1	1	1	1	1	1	1	1	1	1	1		SOLDER DIP		Cu ALLOY	MOVABLE SPRING	4
1	1	1	1	1	1	1	1	1	1	1	1	1	1				STEEL	CORE	3
1	1	1	1	1	1	1	1	1	1	1	1	1	1				STEEL	ARMATURE	2
1	1	1	1	1	1	1	1	1	1	1	1	1	1				STEEL	YOKE	1
l	l	l	k	j	i	h	g	f	e	d	c	b	a	INCOMBUSTIBILITY	TREATMENT	MATERIAL	DESCRIPTION	ITEM	

THIS DRAWING IS A CONTROLLED DOCUMENT FOR TYCO ELECTRONICS CORPORATION
IT IS SUBJECT TO CHANGE AND THE CONTROLLING ENGINEERING ORGANIZATION
SHOULD BE CONTACTED FOR THE LATEST REVISION.

DIMENSIONS: mm	TOLERANCES UNLESS OTHERWISE SPECIFIED: 0 PLC ± 1 PLC ± 2 PLC ± 3 PLC ± 4 PLC ±	DWN	 Tyco Electronics EC K.K. Tochigi, Japan	
		CHK		
MATERIAL SEE MATERIAL TABLE	FINISH —	APVD		NAME OMIT 1M SPEC,300
		PRODUCT SPEC —		SIZE A3
		APPLICATION SPEC —	CAGE CODE 00779	
		WEIGHT —	DRAWING NO 1440001-6	
		CUSTOMER DRAWING	RESTRICTED TO —	
			SCALE 4:1	
			SHEET 3 OF 3	
			REV A1	