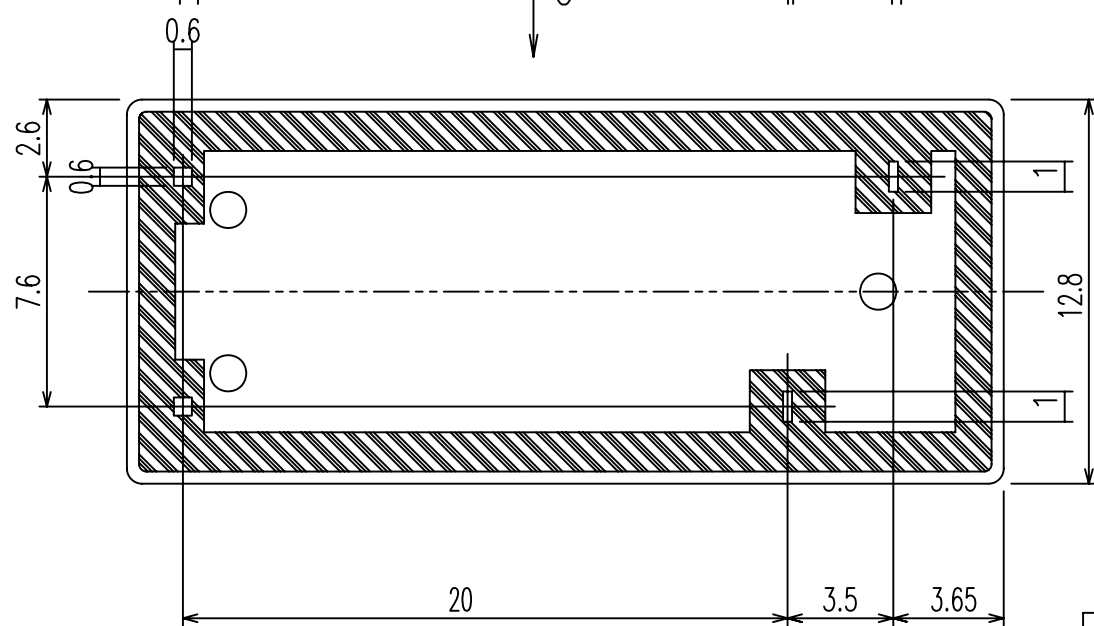
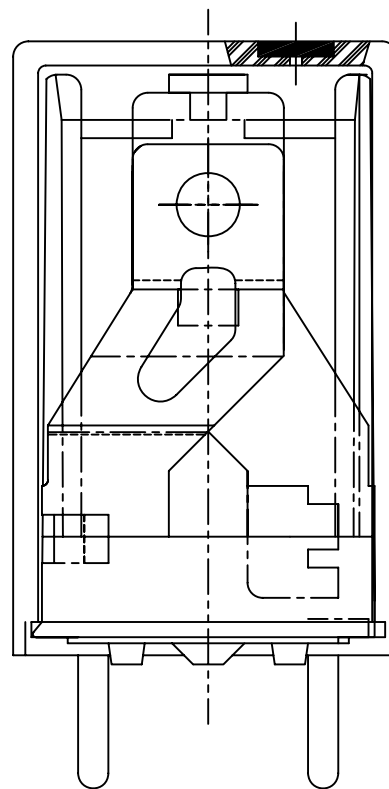
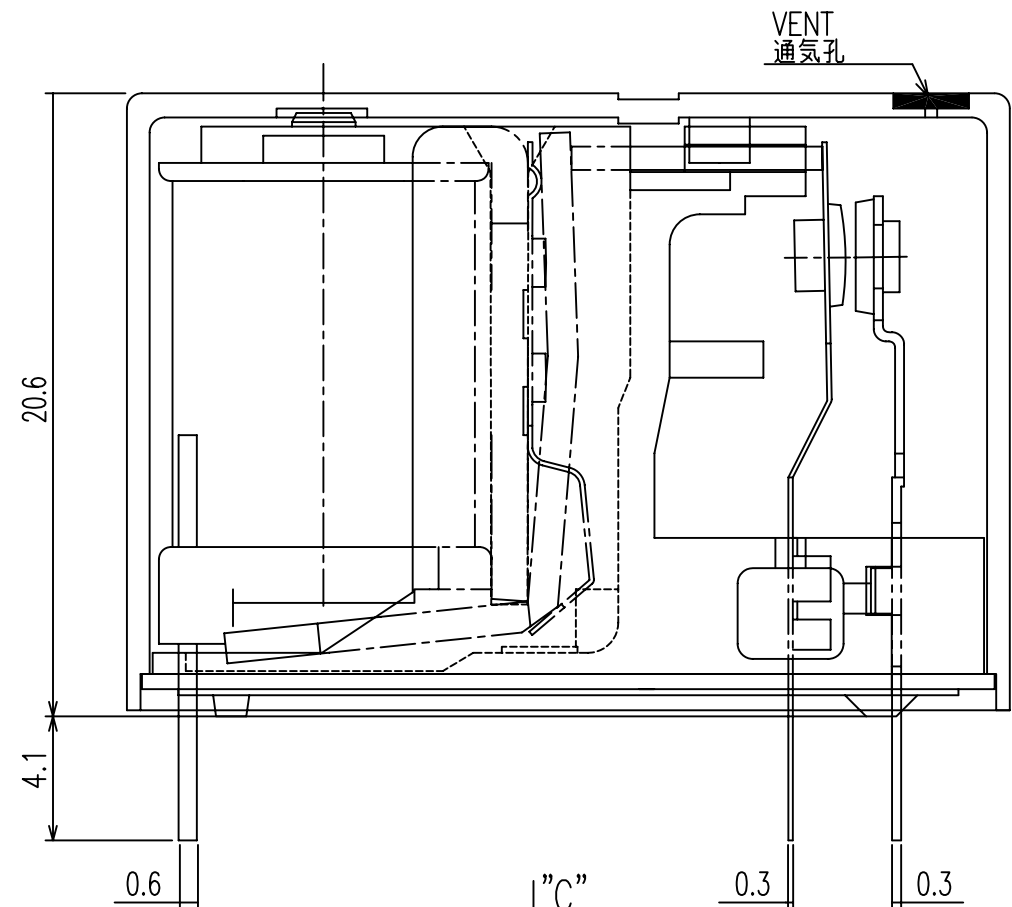


THIS DRAWING IS UNPUBLISHED. RELEASED FOR PUBLICATION  
 © COPYRIGHT BY TYCO ELECTRONICS CORPORATION. ALL RIGHTS RESERVED.

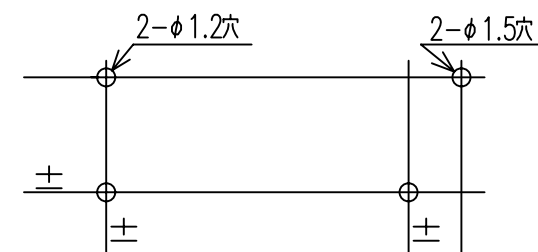
LOC	DIST	REVISIONS						
HH		P	LTR	DESCRIPTION	ECN	DATE	DWN	APVD
			A	RELEASE		6-MAR-06	F.B	C.H.SU



CONNECTION DIAGRAM  
(BOTTOM VIEW)



DRILLING DIAGRAM(2/1)  
(BOTTOM VIEW)



THIS DRAWING IS A CONTROLLED DOCUMENT FOR TYCO ELECTRONICS CORPORATION IT IS SUBJECT TO CHANGE AND THE CONTROLLING ENGINEERING ORGANIZATION SHOULD BE CONTACTED FOR THE LATEST REVISION.		DWN Fu Bo	Tyco Electronics EC K.K. Tochigi, Japan			
DIMENSIONS: mm		CHK Zhang, xiaoning				
	TOLERANCES UNLESS OTHERWISE SPECIFIED: 0 PLC ± 1 PLC ± 2 PLC ± 3 PLC ± 4 PLC ±	APVD C.H.HSU	NAME			
		PRODUCT SPEC —	OMIT-SH-D/LM SPEC,394			
MATERIAL SEE MATERIAL TABLE	FINISH —	APPLICATION SPEC —	SIZE A3	CAGE CODE 00779	DRAWING NO 9-1440000-6	RESTRICTED TO
		WEIGHT —	CUSTOMER DRAWING		SCALE 4:1	SHEET 1 OF 2

THIS DRAWING IS UNPUBLISHED. RELEASED FOR PUBLICATION  
 © COPYRIGHT BY TYCO ELECTRONICS CORPORATION. ALL RIGHTS RESERVED.

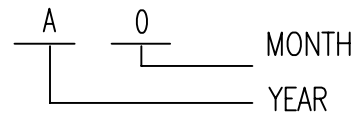
LOC	DIST	REVISIONS				
		P	LTR	DESCRIPTION	ECN	DATE

2-1461387-3	OMIT-SH-148LM,394	48	OMIT-SH-148LM	l
2-1461387-1	OMIT-SH-148DM,394	48	OMIT-SH-148DM	k
1-1461387-9	OMIT-SH-124LM,394	24	OMIT-SH-124LM	j
1-1461387-7	OMIT-SH-124DM,394	24	OMIT-SH-124DM	i
9-1440000-6	OMIT-SH-112LM,394	12	OMIT-SH-112LM	h
1-1461387-4	OMIT-SH-112DM,394	12	OMIT-SH-112DM	g
1-1461387-2	OMIT-SH-109LM,394	9	OMIT-SH-109LM	f
1-1461387-0	OMIT-SH-109DM,394	9	OMIT-SH-109DM	e
1461387-8	OMIT-SH-106LM,394	6	OMIT-SH-106LM	d
1461387-6	OMIT-SH-106DM,394	6	OMIT-SH-106DM	c
1461387-4	OMIT-SH-105LM,394	5	OMIT-SH-105LM	b
1461387-2	OMIT-SH-105DM,394	5	OMIT-SH-105DM	a
PART NO	EC TYPE NAME	PART B	PART A	ITEM

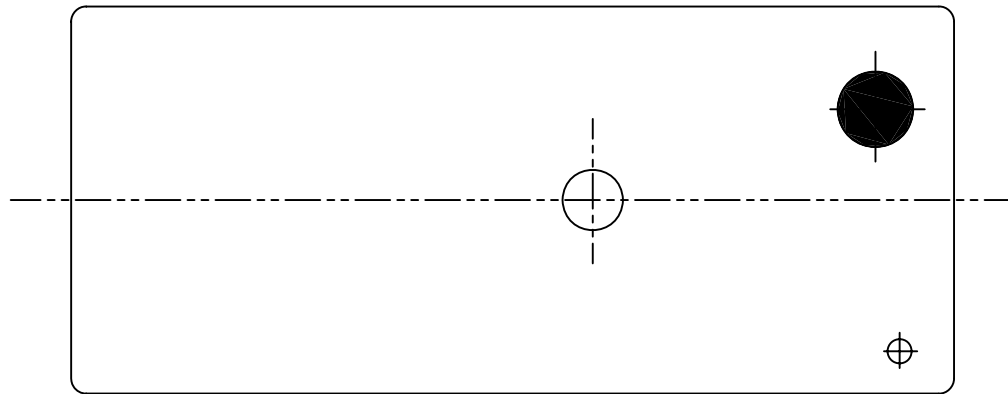
RELAY TYPE

NOTES:

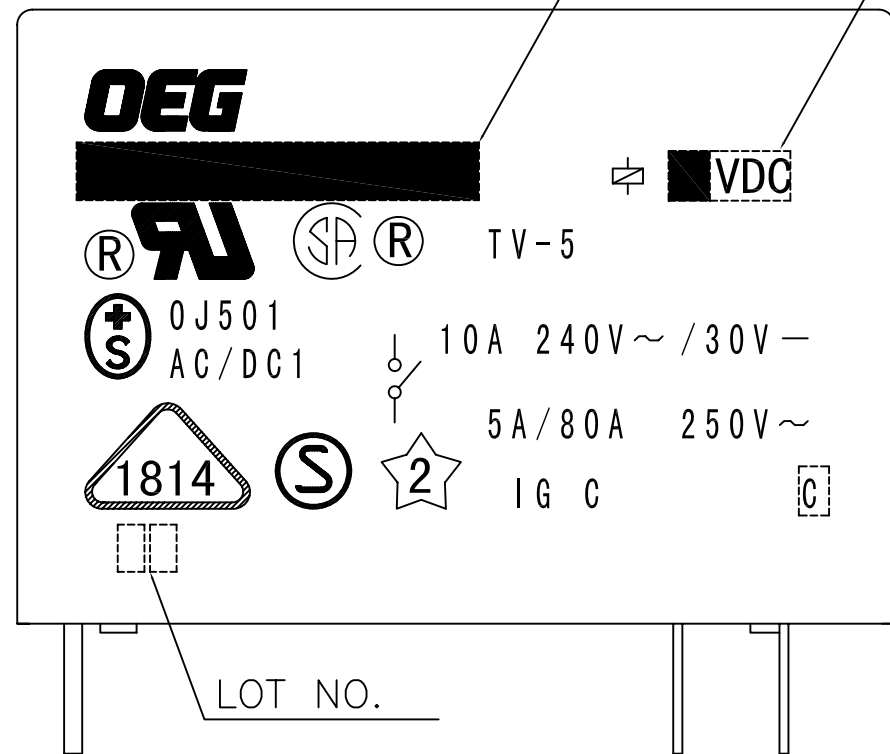
1. LOT NUMBERING SYSTEM AS FOLLOWS:



VIEW "D"



"D"



VIEW C:FMARKING

AR	AR	AR	AR	AR	AR	AR	AR	AR	AR	AR	AR				UV RESIN	UV SEAL	16
AR	AR	AR	AR	AR	AR	AR	AR	AR	AR	AR	AR				EPOXY RESIN	SEAL	15
1	1	1	1	1	1	1	1	1	1	1	1	UL94 V-0			PBT	CASE	14
AR	AR	AR	AR	AR	AR	AR	AR	AR	AR	AR	AR	CLASS E			UEW	MAGNETIC WIRE	13
1	1	1	1	1	1	1	1	1	1	1	1	UL94 V-0			PET	BASE	12
1	1	1	1	1	1	1	1	1	1	1	1	UL94 V-0			PBT	BOBBIN	11
2	2	2	2	2	2	2	2	2	2	2	2		SOLDER DIP		CP WIRE	COIL TERMINAL	10
1	1	1	1	1	1	1	1	1	1	1	1	UL94 V-0			PPS	CARD	9
1	1	1	1	1	1	1	1	1	1	1	1				Aq ALLOY	MOVABLE CONTACT	8
1	1	1	1	1	1	1	1	1	1	1	1				Aq ALLOY	STATIONARY CONTACT	7
1	1	1	1	1	1	1	1	1	1	1	1				Cu ALLOY	HINGE SPRING	6
1	1	1	1	1	1	1	1	1	1	1	1		SOLDER DIP		Cu ALLOY	STATIONARY TERMINAL	5
1	1	1	1	1	1	1	1	1	1	1	1		SOLDER DIP		Cu ALLOY	MOVABLE SPRING	4
1	1	1	1	1	1	1	1	1	1	1	1				STEEL	CORE	3
1	1	1	1	1	1	1	1	1	1	1	1				STEEL	ARMATURE	2
1	1	1	1	1	1	1	1	1	1	1	1				STEEL	YOKE	1
l	k	j	i	h	g	f	e	d	c	b	a	INCOMBUSTIBILITY	TREATMENT	MATERIAL	DESCRIPTION	ITEM	

THIS DRAWING IS A CONTROLLED DOCUMENT FOR TYCO ELECTRONICS CORPORATION IT IS SUBJECT TO CHANGE AND THE CONTROLLING ENGINEERING ORGANIZATION SHOULD BE CONTACTED FOR THE LATEST REVISION.

DIMENSIONS: mm	TOLERANCES UNLESS OTHERWISE SPECIFIED:
	0 PLC ±
	1 PLC ±
	2 PLC ±
	3 PLC ±
	4 PLC ±
MATERIAL SEE MATERIAL TABLE	FINISH —

DWN	CHK	APVD	PRODUCT SPEC	APPLICATION SPEC	WEIGHT	Tyco Electronics EC K.K. Tochigi, Japan		
NAME						OMIT-SH-D/LM SPEC,394		
SIZE	CAGE CODE	DRAWING NO	RESTRICTED TO			-		
A3	00779	9-1440000-6	-			-		
CUSTOMER DRAWING						SCALE	SHEET	REV
						4:1	2 OF 2	A