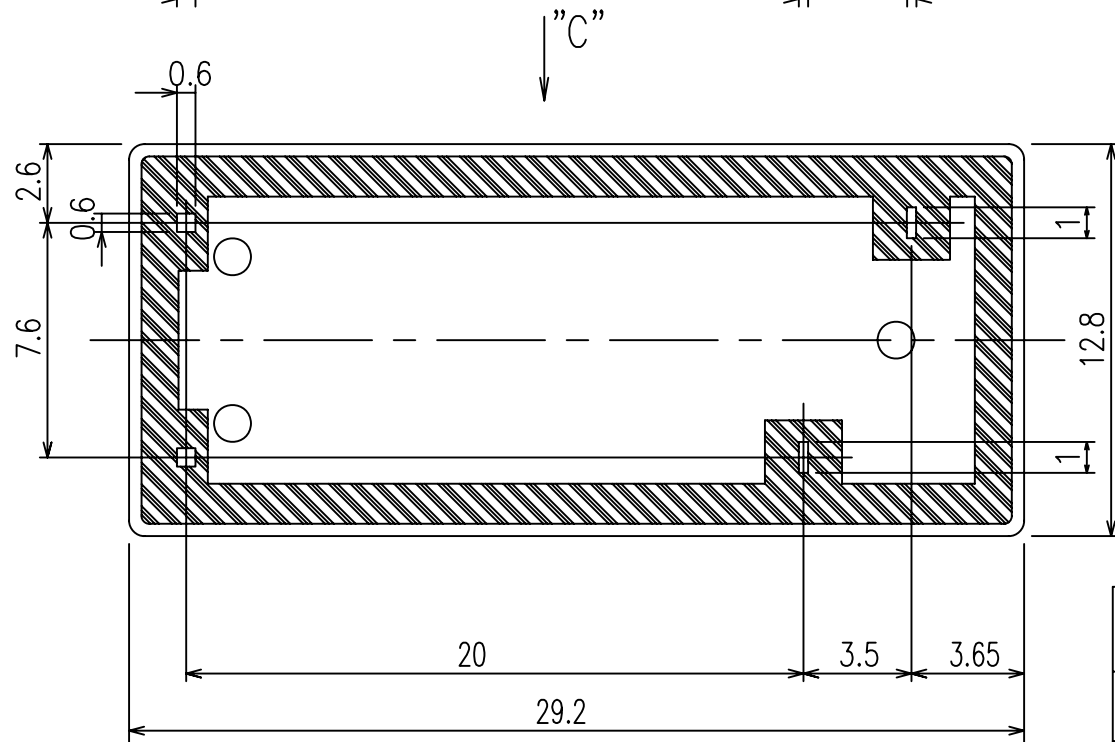
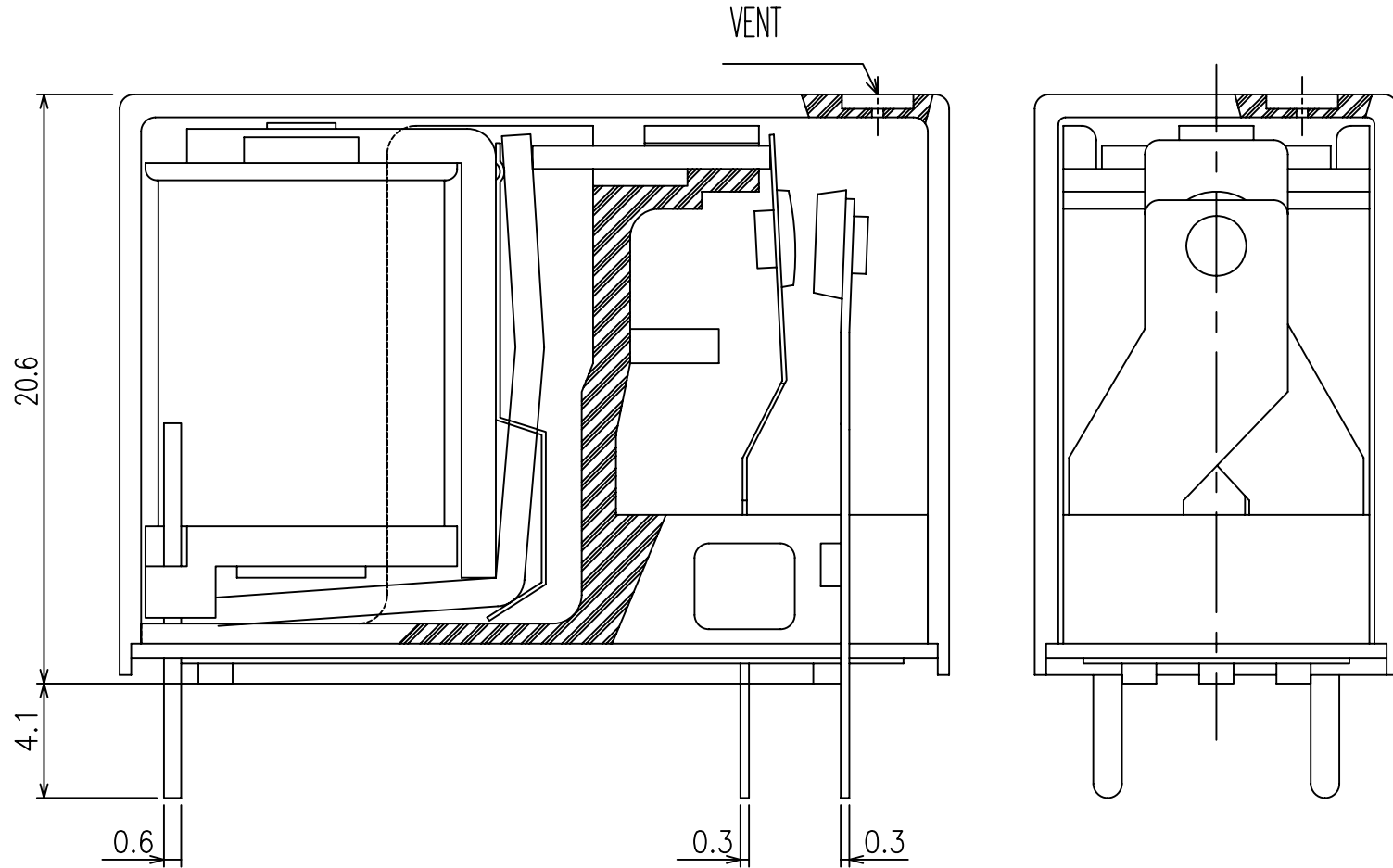


THIS DRAWING IS UNPUBLISHED. RELEASED FOR PUBLICATION  
 © COPYRIGHT BY TYCO ELECTRONICS CORPORATION. ALL RIGHTS RESERVED.

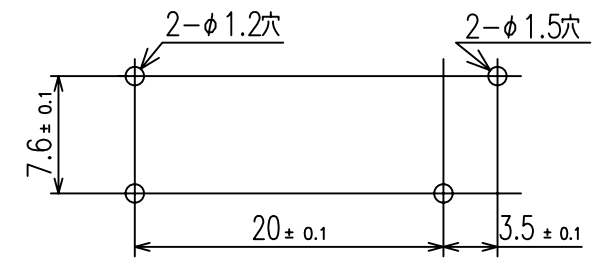
LOC	DIST	REVISIONS						
		P	LTR	DESCRIPTION	ECO	DATE	DWN	APVD
HH			A1	MISTAKE MODIFY	ECO-05-015536	02-DEC-05	JJA	C.H.HSU
			A2	MISTAKE MODIFY	ECO-05-016742	22-DEC-05	JJA	C.H.HSU



CONNECTION DIAGRAM  
(BOTTOM VIEW)



DRILLING DIAGRAM(2/1)  
(BOTTOM VIEW)



THIS DRAWING IS A CONTROLLED DOCUMENT FOR TYCO ELECTRONICS CORPORATION  
 IT IS SUBJECT TO CHANGE AND THE CONTROLLING ENGINEERING ORGANIZATION  
 SHOULD BE CONTACTED FOR THE LATEST REVISION.

DIMENSIONS: mm	TOLERANCES UNLESS OTHERWISE SPECIFIED:
	0 PLC ±
	1 PLC ±
	2 PLC ±
	3 PLC ±
	4 PLC ±
	ANGLES ±
MATERIAL	FINISH ±

DWN	H.SASAKI	<b>tyco</b> Electronics	Tyco Electronics EC K.K. Tochigi, Japan		
CHK	Y.OIKAWA		NAME		
APVD	A.NAGAI	OMI-SS-DM SPEC,000			
PRODUCT SPEC	-	SIZE	CAGE CODE	DRAWING NO	RESTRICTED TO
APPLICATION SPEC	-	A3	00779	8-1419144-1	-
WEIGHT	-	CUSTOMER DRAWING		SCALE	4:1
				SHEET	1 OF 2
				REV	A2

THIS DRAWING IS UNPUBLISHED.

RELEASED FOR PUBLICATION

© COPYRIGHT

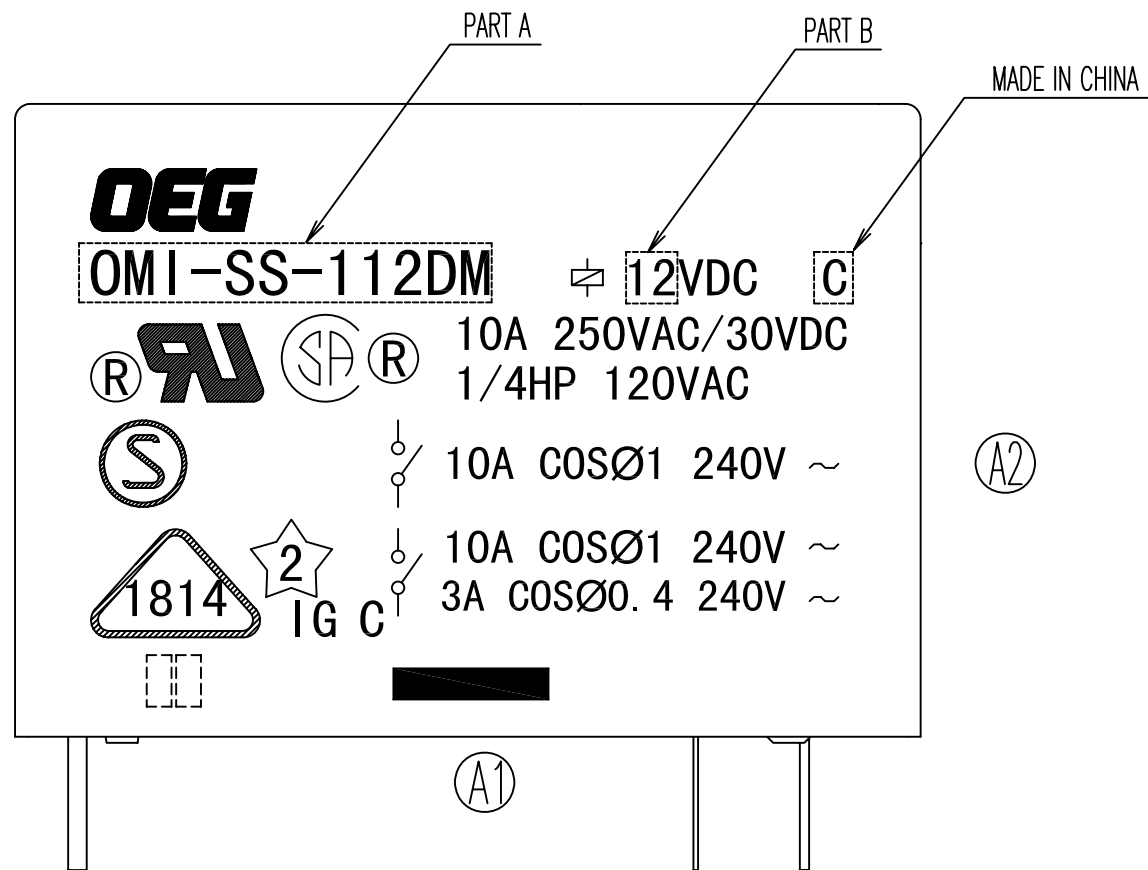
BY TYCO ELECTRONICS CORPORATION. ALL RIGHTS RESERVED.

LOC  
HH

DIST

REVISIONS

P	LTR	DESCRIPTION	ECN	DATE	DWN	APVD



VIEW C: MARKING

NOTES

-SS-: PLASTIC SEALD TYPE

(A1)	6-1419122-6	OMI-SS-148LM ,000	48	OMI-SS-148LM	h	(01)
(A1)	6-1419122-2	OMI-SS-124LM ,000	24	OMI-SS-124LM	g	(01)
(A1)	5-1419122-9	OMI-SS-124DM ,000	24	OMI-SS-124DM	f	(01)
	5-1419122-6	OMI-SS-112LM ,000	12	OMI-SS-112LM	e	(01)
	5-1419122-2	OMI-SS-112DM ,000	12	OMI-SS-112DM	d	(01)
	4-1419122-9	OMI-SS-106LM ,000	6	OMI-SS-106LM	c	(01)
	4-1419122-7	OMI-SS-105LM ,000	5	OMI-SS-105LM	b	(01)
	8-1419144-1	OMI-SS-105DM ,000	5	OMI-SS-105DM	a	(01)
	PART NO	EC TYPE NAME	PART B	PART A	ITEM	

RELAY TYPE

AR	AR	AR	AR	AR	AR	AR	AR			EPOXY RESIN	RESIN	16
1	1	1	1	1	1	1	1	UL94 V-0		PBT	CASE	15
AR	AR	AR	AR	AR	AR	AR	AR			—	TAPE	14
AR	AR	AR	AR	AR	AR	AR	AR	CLASS E		UEW	MAGNETIC WIRE	13
1	1	1	1	1	1	1	1	UL94 V-0		PET	BASE	12
1	1	1	1	1	1	1	1	UL94 V-0		PBT	BOBBIN	11
2	2	2	2	2	2	2	2		SOLDER DIP	CP WIRE	COIL TERMINAL	10
1	1	1	1	1	1	1	1	UL94 V-0		PPS	CARD	9
1	1	1	1	1	1	1	1			Aq ALLOY	MOVABLE CONTACT	8
1	1	1	1	1	1	1	1			Aq ALLOY	STATIONARY CONTACT	7
1	1	1	1	1	1	1	1			Cu ALLOY	HINGE SPRING	6
1	1	1	1	1	1	1	1		SOLDER DIP	Cu ALLOY	STATIONARY TERMINAL	5
1	1	1	1	1	1	1	1		SOLDER DIP	Cu ALLOY	MOVABLE SPRING	4
1	1	1	1	1	1	1	1			STEEL	CORE	3
1	1	1	1	1	1	1	1			STEEL	ARMATURE	2
1	1	1	1	1	1	1	1			STEEL	YOKE	1
h	g	f	e	d	c	b	a	INCOMBUSTIBILITY	TREATMENT	MATERIAL	DESCRIPTION	ITEM

THIS DRAWING IS A CONTROLLED DOCUMENT FOR TYCO ELECTRONICS CORPORATION. IT IS SUBJECT TO CHANGE AND THE CONTROLLING ENGINEERING ORGANIZATION SHOULD BE CONTACTED FOR THE LATEST REVISION.

DIMENSIONS: mm		TOLERANCES UNLESS OTHERWISE SPECIFIED:		DWN		tygo Electronics		Tyco Electronics EC K.K. Tochigi, Japan	
MATERIAL		FINISH		CHK		NAME		OMI-SS-DM SPEC,000	
0 PLC ±		1 PLC ±		APVD		PRODUCT SPEC		SIZE	
2 PLC ±		3 PLC ±		PRODUCT SPEC		APPLICATION SPEC		CAGE CODE	
4 PLC ±		ANGLES ±		APPLICATION SPEC		DRAWING NO		RESTRICTED TO	
				WEIGHT		8-1419144-1		—	
				CUSTOMER DRAWING		SCALE 4:1		SHEET 2 OF 2	
						REV A2			