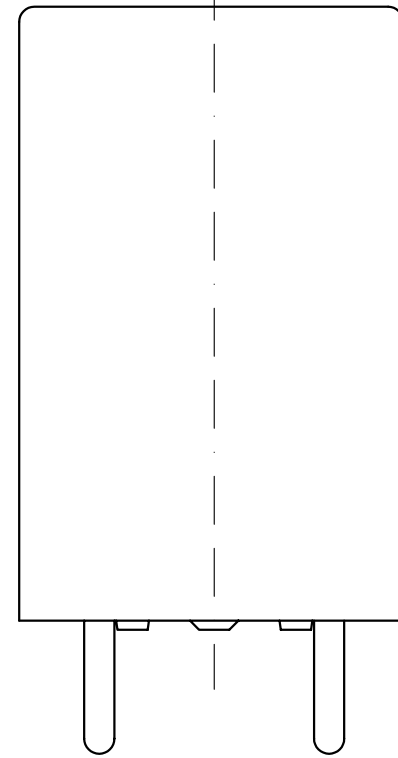
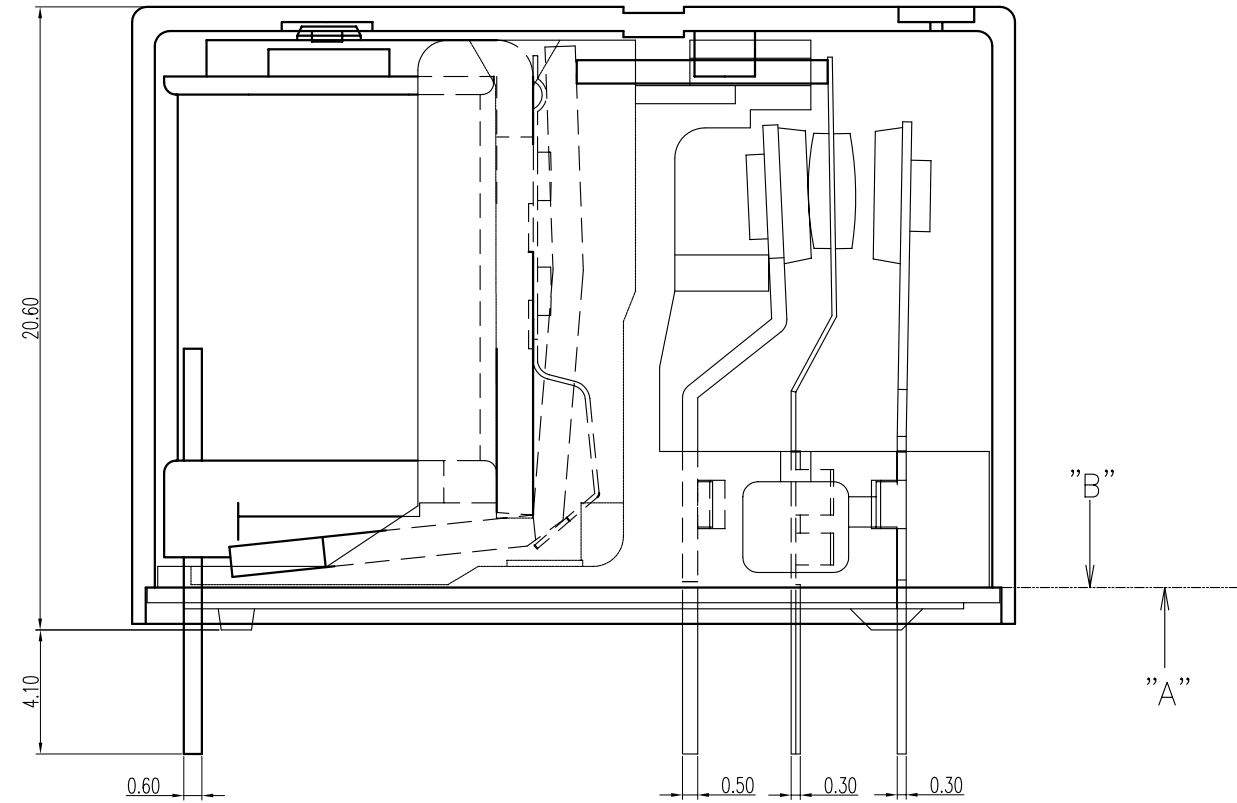
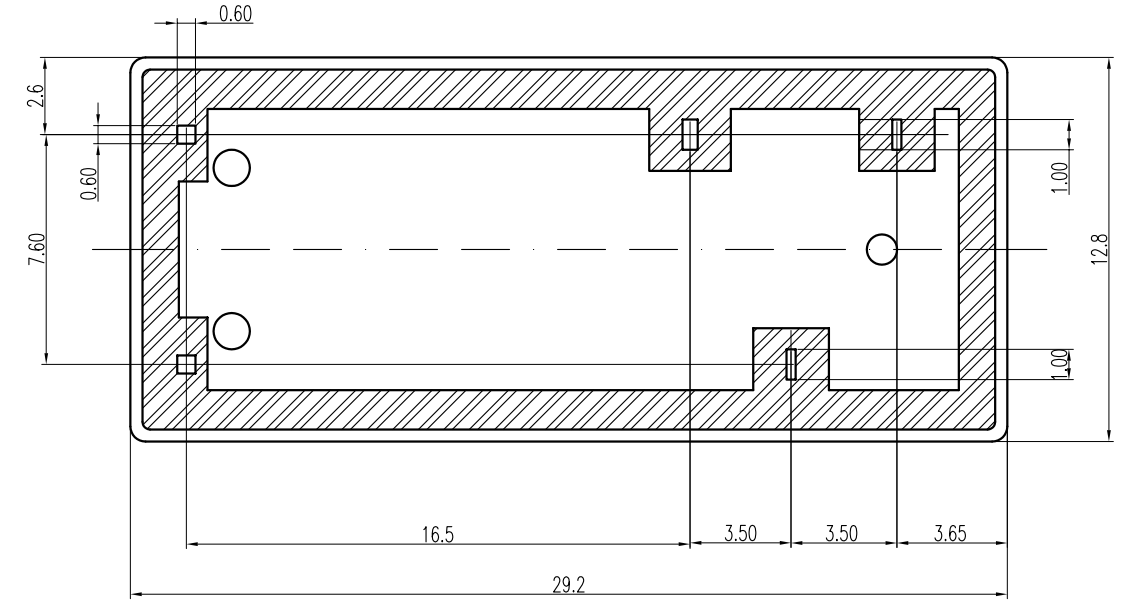


THIS DRAWING IS UNPUBLISHED. RELEASED FOR PUBLICATION
 © COPYRIGHT BY TYCO ELECTRONICS CORPORATION. ALL RIGHTS RESERVED.

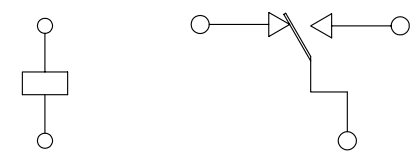
LOC		DIST		REVISIONS					
HH		P	LTR	DESCRIPTION	ECN	DATE	DWN	APVD	
			A	RELEASE		03-APR-06	Y.X	N.F	



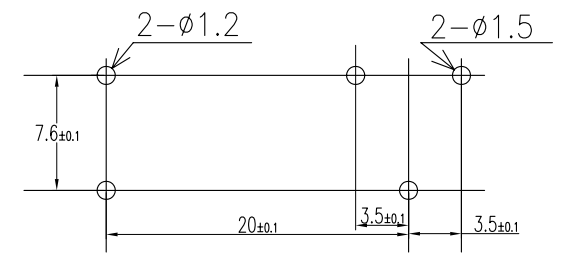
NOTE.
 1.PART "B" SHOULD FIT PART "A" AFTER CASE INSERTION PROCESS



CONNECTION DIAGRAM
 (BOTTOM VIEW)



DRILLING DIAGRAM(2/1)
 (BOTTOM VIEW)



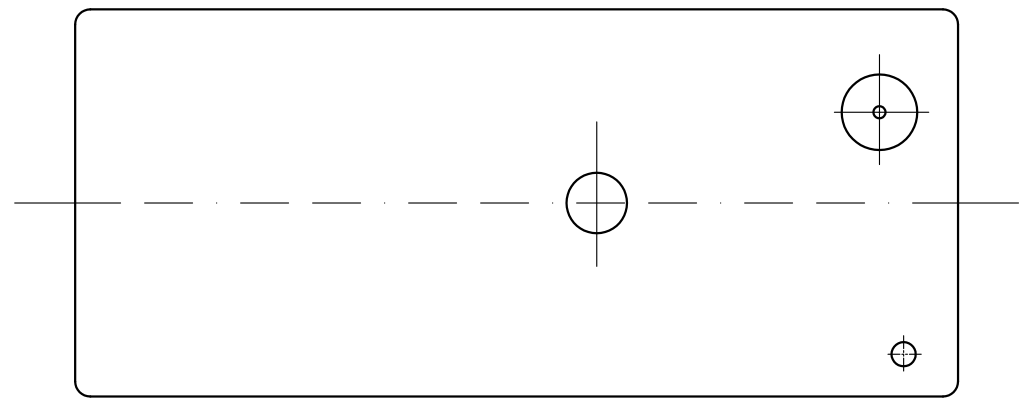
DIMENSION TOLERANCE	
MAX .1mm	±0.1
1mm~MAX.3mm	±0.2
MIN . 3mm	±0.3

THIS DRAWING IS A CONTROLLED DOCUMENT FOR TYCO ELECTRONICS CORPORATION IT IS SUBJECT TO CHANGE AND THE CONTROLLING ENGINEERING ORGANIZATION SHOULD BE CONTACTED FOR THE LATEST REVISION.		DWN Yang.Xiao	Tyco Electronics EC K.K. Tochigi, Japan	
DIMENSIONS: mm		CHK N.Funayama		
TOLERANCES UNLESS OTHERWISE SPECIFIED:		APVD HSU,CHIEH-HUI	NAME OMIH(1T) SPEC 300 CUSTOMER DRAWING	
0 PLC ± 1 PLC ± 2 PLC ± 3 PLC ± 4 PLC ±		PRODUCT SPEC	RESTRICTED TO	
MATERIAL SEE MATERIAL TABLE		FINISH	APPLICATION SPEC	SIZE A3
		WEIGHT	GAGE CODE 00779	DRAWING NO 8-1440000-3
		CUSTOMER DRAWING	SCALE 4:1	SHEET 1 OF 3
				REV A

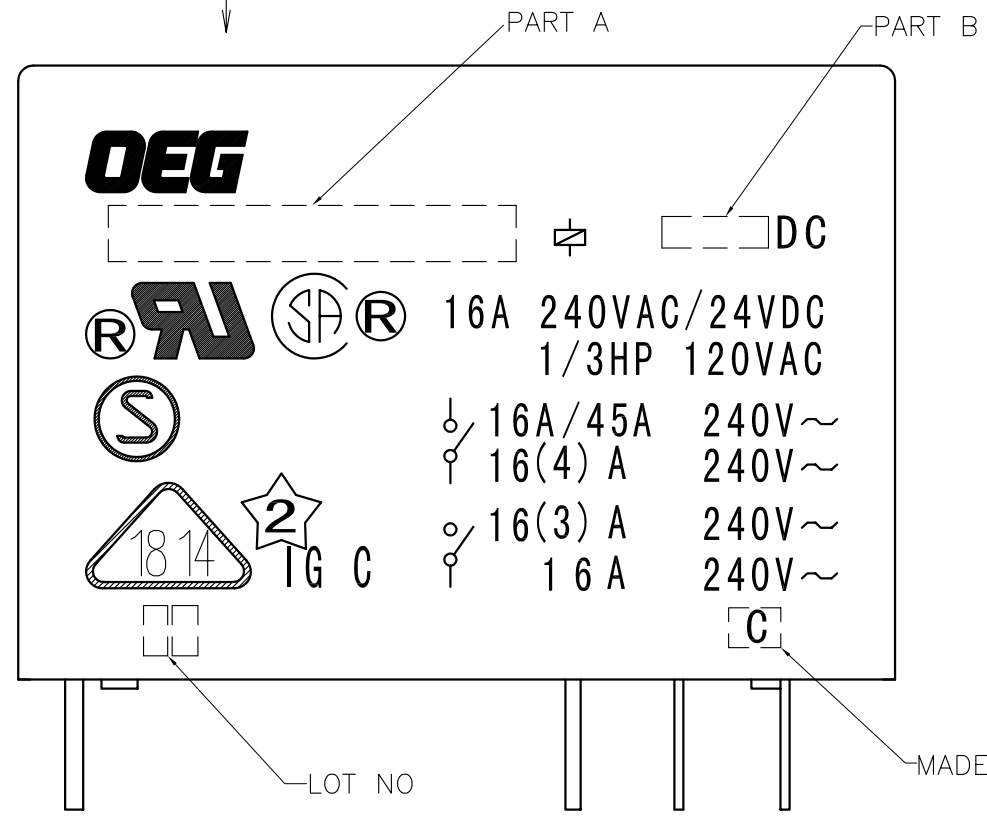
THIS DRAWING IS UNPUBLISHED. RELEASED FOR PUBLICATION
 © COPYRIGHT BY TYCO ELECTRONICS CORPORATION. ALL RIGHTS RESERVED.

LOC HH	DIST	REVISIONS								
		P	LTR	DESCRIPTION	ECN	DATE	DWN	APVD		

VIEW "C"



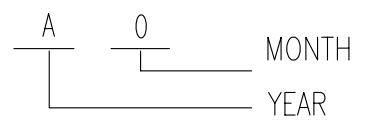
"C"



n	OMIH-SS-148D,300	9-1440000-1	OMIH-SS-148D	48V
m	OMIH-SS-124L,300	9-1440000-0	OMIH-SS-124L	24V
l	OMIH-SS-124D,300	8-1440000-8	OMIH-SS-124D	24V
k	OMIH-SS-112L,300	8-1440000-5	OMIH-SS-112L	12V
j	OMIH-SS-112D,300	8-1440000-3	OMIH-SS-112D	12V
i	OMIH-SS-109L,300	8-1440000-1	OMIH-SS-109L	9V
h	OMIH-SS-109D,300	1-1461022-1	OMIH-SS-109D	9V
g	OMIH-SS-106L,300	1-1461022-0	OMIH-SS-106L	6V
f	OMIH-SS-106D,300	1461022-8	OMIH-SS-106D	6V
e	OMIH-SS-105L,300	1461022-6	OMIH-SS-105L	5V
d	OMIH-SS-105D,300	1461022-4	OMIH-SS-105D	5V
c	OMIH-SH-124L,300	1461022-2	OMIH-SH-124L	24V
b	OMIH-SH-105L,300	1-1419153-9	OMIH-SH-105L	5V
a	OMIH-SH-105D,300	6-1440000-6	OMIH-SH-105D	5V
No.	EC TYPE NAE	AMP PART NAE	PART A	PART B

RELAY TYPE

NOTES:
 1.LOT NUMBERING SYSTEM AS FOLLOWS:



THIS DRAWING IS A CONTROLLED DOCUMENT FOR TYCO ELECTRONICS CORPORATION IT IS SUBJECT TO CHANGE AND THE CONTROLLING ENGINEERING ORGANIZATION SHOULD BE CONTACTED FOR THE LATEST REVISION.		DWN Yang.Xiao	Tyco Electronics EC K.K. Tochigi, Japan	
DIMENSIONS: mm		CHK N.Funayama		
TOLERANCES UNLESS OTHERWISE SPECIFIED: 0 PLC ± 1 PLC ± 2 PLC ± 3 PLC ± 4 PLC ±		APVD C.H.Hsu	NAME OMIH (1T) SPEC 300 CUSTOMER DRAWING	
MATERIAL SEE MATERIAL TABLE		PRODUCT SPEC	RESTRICTED TO	
FINISH		APPLICATION SPEC	SIZE A3	GAGE CODE 00779
		WEIGHT	DRAWING NO 8-1440000-3	
		CUSTOMER DRAWING	SCALE 4:1	SHEET 2 of 3
				REV A

4

3

2

1

THIS DRAWING IS UNPUBLISHED.

RELEASED FOR PUBLICATION

© COPYRIGHT

BY TYCO ELECTRONICS CORPORATION. ALL RIGHTS RESERVED.

LOC
HH

DIST

REVISIONS

P	LTR	DESCRIPTION	ECN	DATE	DWN	APVD

D

D

C

C

B

B

A

A

																		UV RESIN	UV SEAL	16
AR	AR	AR	AR	AR	AR	AR	AR	AR	AR	AR	AR	AR	AR	AR	AR	AR	AR	EPOXY RESIN	SEAL	15
1	1	1	1	1	1	1	1	1	1	1	1	1	1	1	1	1	1	PBT	CASE	14
AR	AR	AR	AR	AR	AR	AR	AR	AR	AR	AR	AR	AR	AR	AR	AR	AR	AR	UEW	MAGNETIC WIRE	13
1	1	1	1	1	1	1	1	1	1	1	1	1	1	1	1	1	1	PET	BASE	12
1	1	1	1	1	1	1	1	1	1	1	1	1	1	1	1	1	1	PBT	BOBBIN	11
2	2	2	2	2	2	2	2	2	2	2	2	2	2	2	2	2	2	SOLDER DIP	CP WIRE	10
1	1	1	1	1	1	1	1	1	1	1	1	1	1	1	1	1	1	PPS	CARD	9
1	1	1	1	1	1	1	1	1	1	1	1	1	1	1	1	1	1	Ag ALLOY	MOVABLE CONTACT	8
1	1	1	1	1	1	1	1	1	1	1	1	1	1	1	1	1	1	Ag ALLOY	STATIONARY CONTACT	7
1	1	1	1	1	1	1	1	1	1	1	1	1	1	1	1	1	1	Cu ALLOY	HINGE SPRING	6
1	1	1	1	1	1	1	1	1	1	1	1	1	1	1	1	1	1	SOLDER DIP	Cu ALLOY	5
1	1	1	1	1	1	1	1	1	1	1	1	1	1	1	1	1	1	SOLDER DIP	Cu ALLOY	4
1	1	1	1	1	1	1	1	1	1	1	1	1	1	1	1	1	1	STEEL	CORE	3
1	1	1	1	1	1	1	1	1	1	1	1	1	1	1	1	1	1	STEEL	ARMATURE	2
1	1	1	1	1	1	1	1	1	1	1	1	1	1	1	1	1	1	STEEL	YOKE	1
n	m	l	k	j	i	h	g	f	e	d	c	b	a	INCOMBUSTIBILITY		TREATMENT	MATERIAL	DESCRIPTION	ITEM	

THIS DRAWING IS A CONTROLLED DOCUMENT FOR TYCO ELECTRONICS CORPORATION
IT IS SUBJECT TO CHANGE AND THE CONTROLLING ENGINEERING ORGANIZATION
SHOULD BE CONTACTED FOR THE LATEST REVISION.

DWN

Yang.Xiao

CHK

N.Funayama

APVD

C.H.Hsu

PRODUCT SPEC

APPLICATION SPEC

WEIGHT

CUSTOMER DRAWING



Tyco Electronics EC K.K.
Tochigi, Japan

NAME

OMIH (1T) SPEC 300 CUSTOMER DRAWING

SIZE

A3

GAGE CODE

00779

DRAWING NO

8-1440000-3

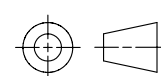
RESTRICTED TO

SCALE 4:1

SHEET 3 OF 3

REV A

DIMENSIONS:
mm



TOLERANCES UNLESS
OTHERWISE SPECIFIED:

- 0 PLC ±
- 1 PLC ±
- 2 PLC ±
- 3 PLC ±
- 4 PLC ±

MATERIAL

SEE MATERIAL TABLE

FINISH

8

7

6

5

4

3

2

1