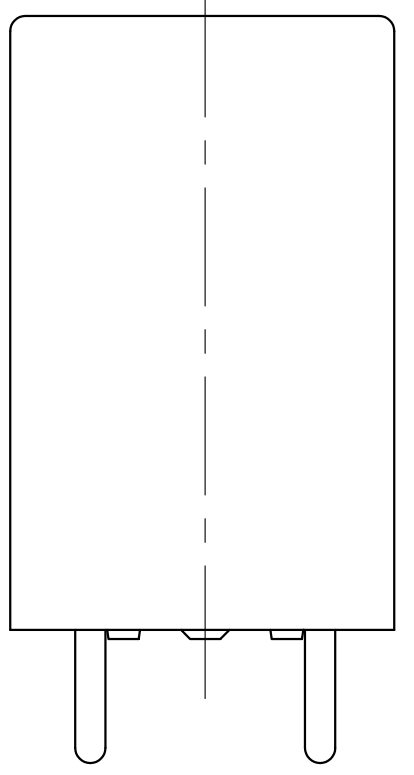
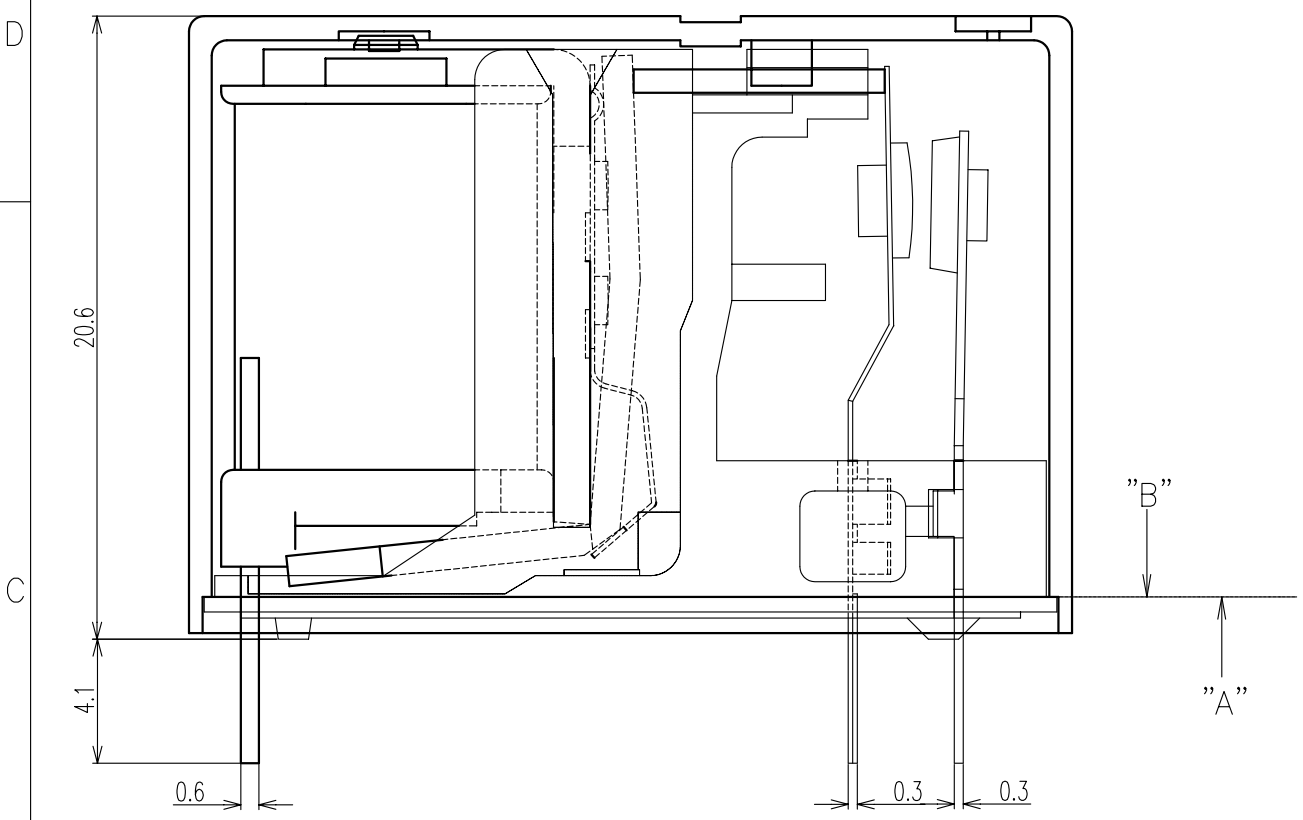
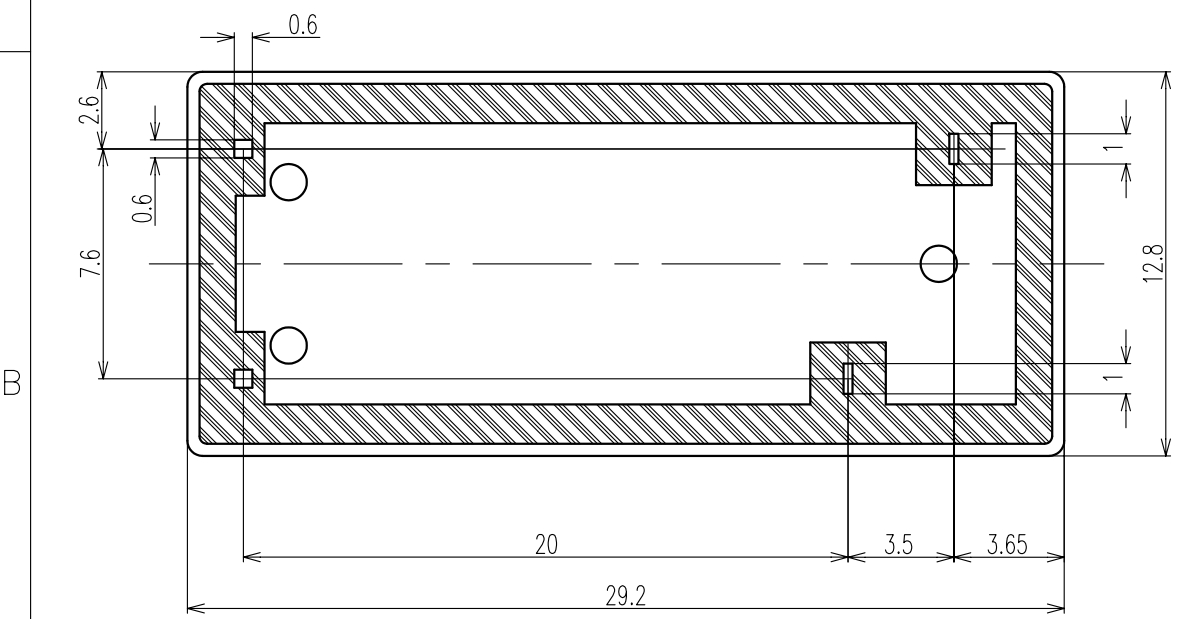


THIS DRAWING IS UNPUBLISHED. RELEASED FOR PUBLICATION
 © COPYRIGHT BY TYCO ELECTRONICS CORPORATION. ALL RIGHTS RESERVED.

LOC HH	DIST	REVISIONS						
		P	LTR	DESCRIPTION	ECN	DATE	DWN	APVD
		A		RELEASE		28-MAR-06	Y.X	N.F
		A1		CORRECT MISTAKE	ECO-06-008238	07-APR-06	Y.X	N.F



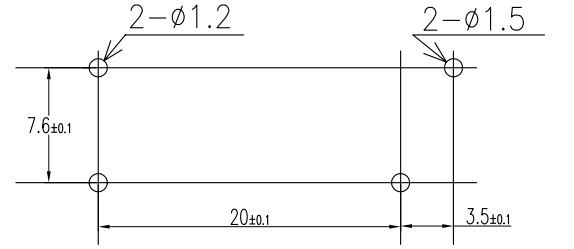
NOTE.
 1.PART "B" SHOULD FIT PART "A" AFTER CASE INSERTION PROCESS



CONNECTION DIAGRAM
 (BOTTOM VIEW)



DRILLING DIAGRAM(2/1)
 (BOTTOM VIEW)



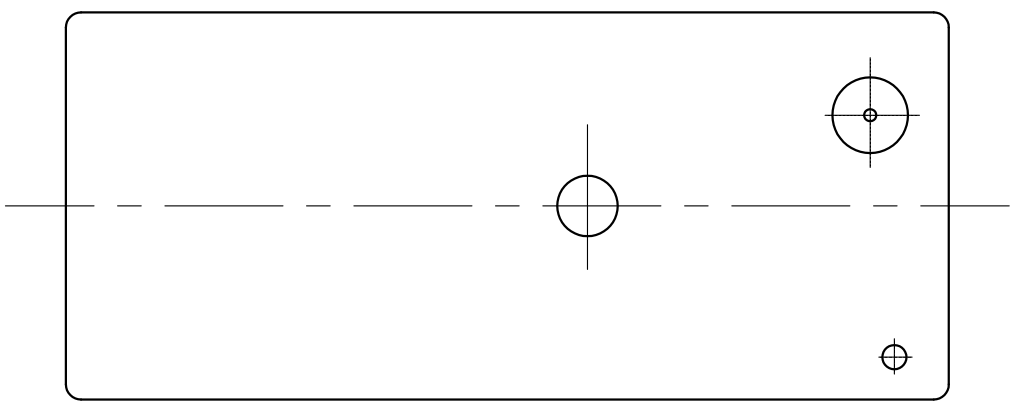
DIMENSION TOLERANCE	
MAX .1mm	±0.1
1mm~MAX.3mm	±0.2
MIN . 3mm	±0.3

THIS DRAWING IS A CONTROLLED DOCUMENT FOR TYCO ELECTRONICS CORPORATION IT IS SUBJECT TO CHANGE AND THE CONTROLLING ENGINEERING ORGANIZATION SHOULD BE CONTACTED FOR THE LATEST REVISION.		DWN	YANG.XIAO			Tyco Electronics EC K.K. Tochigi, Japan		
DIMENSIONS: mm		CHK	N.FUNAYAMA			NAME		
		APVD	HSU,CHIEN-HUI		OMIH-SH(1M) SPEC394 CUSTOMER DRAWING			
TOLERANCES UNLESS OTHERWISE SPECIFIED:		PRODUCT SPEC			SIZE	GAGE CODE	DRAWING NO	RESTRICTED TO
0 PLC ±		APPLICATION SPEC			A3	00779	1-1461373-8	
1 PLC ±		WEIGHT			SCALE 4:1		SHEET 1 of 3	REV A1
2 PLC ±		CUSTOMER DRAWING						
3 PLC ±								
4 PLC ±								
MATERIAL SEE MATERIAL TABLE		FINISH						

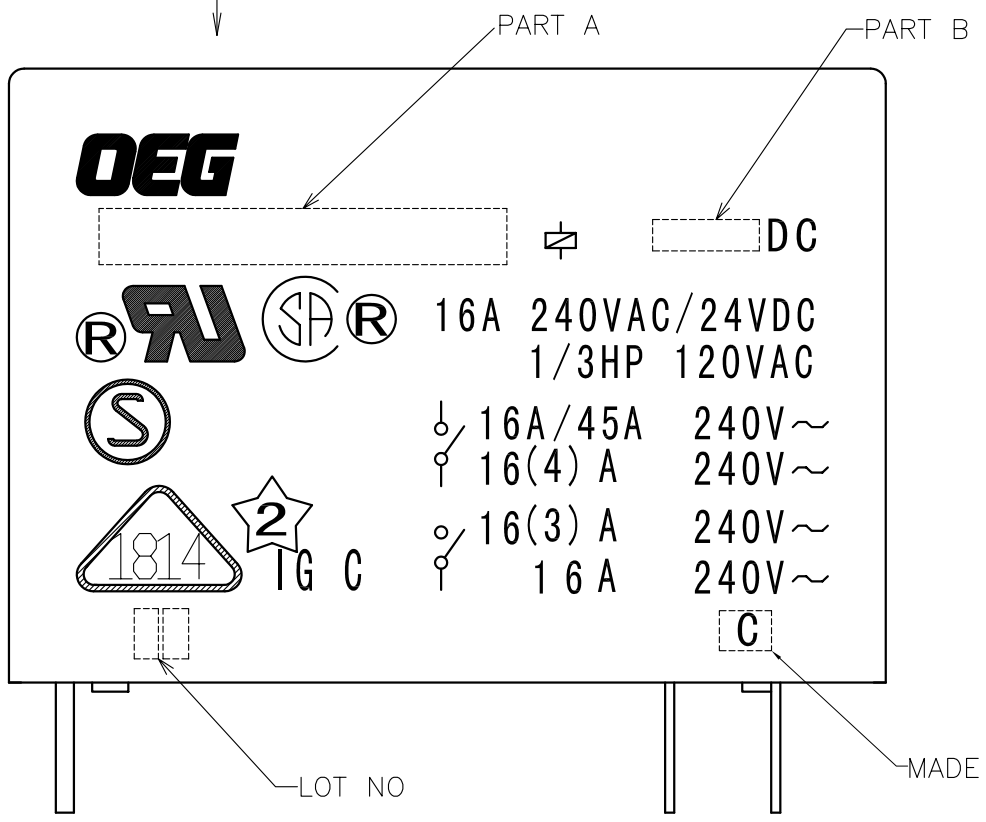
THIS DRAWING IS UNPUBLISHED. RELEASED FOR PUBLICATION
 © COPYRIGHT BY TYCO ELECTRONICS CORPORATION. ALL RIGHTS RESERVED.

LOC HH	DIST	REVISIONS						
		P	LTR	DESCRIPTION	ECN	DATE	DWN	APVD

VIEW "C"



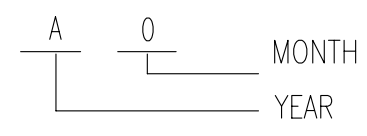
"C"



n	OMIH-SH-105LM,394B	5-1440009-4	OMIH-SH-105LM	5V	—
m	OMIH-SH-148LM,394	0-1461373-4	OMIH-SH-148LM	48V	107-79006
l	OMIH-SH-148DM,394	2-1461373-0	OMIH-SH-148DM	48V	107-79006
k	OMIH-SH-124LM,394	7-1440000-1	OMIH-SH-124LM	24V	107-79006
j	OMIH-SH-124DM,394	1-1461373-9	OMIH-SH-124DM	24V	107-79006
i	OMIH-SH-118LM,394	1461373-2	OMIH-SH-118LM	18V	107-79006
h	OMIH-SH-112LM,394	7-1440000-1	OMIH-SH-112LM	12V	107-79006
g	OMIH-SH-112DM,394	1-1461373-8	OMIH-SH-112DM	12V	107-79006
f	OMIH-SH-109LM,394	6-1440000-8	OMIH-SH-109LM	9V	107-79006
e	OMIH-SH-109DM,394	1-1461373-7	OMIH-SH-109DM	9V	107-79006
d	OMIH-SH-106LM,394	0-1461373-1	OMIH-SH-106LM	6V	107-79006
c	OMIH-SH-106DM,394	1-1461373-6	OMIH-SH-106DM	6V	107-79006
b	OMIH-SH-105LM,394	6-1440000-7	OMIH-SH-105LM	5V	107-79006
a	OMIH-SH-105DM,394	1-1461373-5 (A)	OMIH-SH-105DM	5V	107-79006
No.	EC TYPE NAME	AMP PART NAME	PART A	PART B	PACKING SPEC

RELAY TYPE

NOTES:
1. LOT NUMBERING SYSTEM AS FOLLOWS:



THIS DRAWING IS A CONTROLLED DOCUMENT FOR TYCO ELECTRONICS CORPORATION IT IS SUBJECT TO CHANGE AND THE CONTROLLING ENGINEERING ORGANIZATION SHOULD BE CONTACTED FOR THE LATEST REVISION.		DWN YANG.XIAO	Tyco Electronics EC K.K. Tochigi, Japan	
DIMENSIONS: mm		CHK N.FUNAYAMA		
TOLERANCES UNLESS OTHERWISE SPECIFIED: 0 PLC ± 1 PLC ± 2 PLC ± 3 PLC ± 4 PLC ±		APVD HSU,CHIEN-HUI	NAME OMIH-SH(1M) SPEC300 CUSTOMER DRAWING	
MATERIAL SEE MATERIAL TABLE		PRODUCT SPEC	RESTRICTED TO	
FINISH		APPLICATION SPEC	SIZE A3	GAGE CODE 00779
		WEIGHT	DRAWING NO C= 1-1461373-8	
		CUSTOMER DRAWING	SCALE 4:1	SHEET 2 OF 3
			REV A1	

