

Crydom

See full Datasheet below...

onlinecomponents.com
THE ONLINE DISTRIBUTOR OF ELECTRONIC COMPONENTS

BUY NOW

 **MASTER**TM
ELECTRONICS

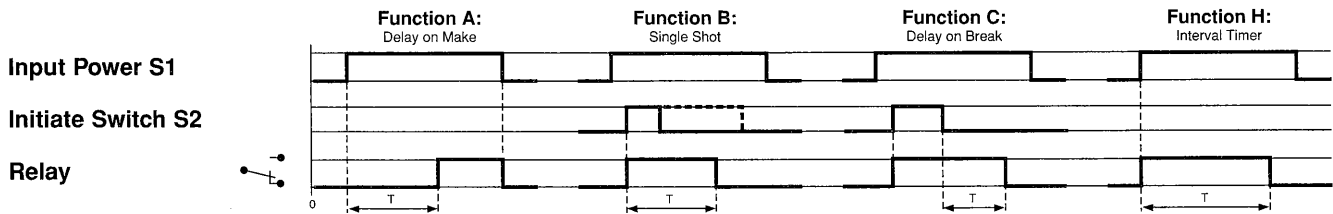
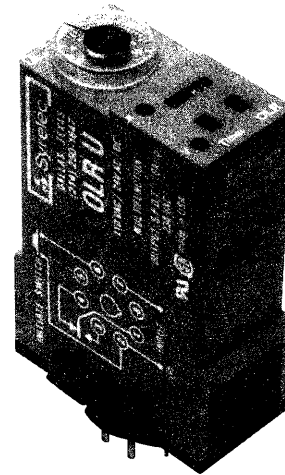
BUY NOW

masterelectronics.com & onlinecomponents.com
are **authorized** e-commerce distributors
of electronic components.

LR U SERIES MULTIFUNCTION TIMER

UL-E87133 CSA-LR56339

- Four Functions In One Unit
- Multi Time Range (.1 sec to 10 hours)
- Direct Reading
- SPDT 10 Amp Relay Output
- LED Power ON Indicator
- LED Relay Indicator



Function A: When input power (S1) is applied, timing (t) begins. At the end of the preselected time (T), the relay energizes. The output relay is de-energized when power is removed, thus resetting the timer for the next cycle.

Function B: Input power (S1) is continuously supplied to the timer. When an external initiate switch (S2) is closed, momentarily or maintained, the output relay is energized. At the end of the delay time (T), the output is de-energized. The timer is ready for another cycle. Isolate the initiate switch (S2) from other circuits.

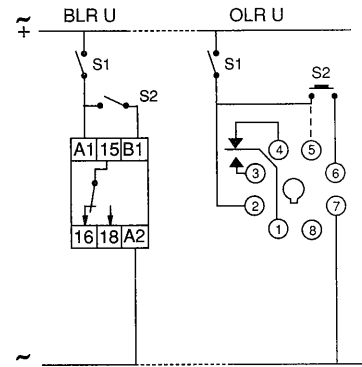
Function C: Input power (S1) is continuously supplied to the timer. When an external initiate switch (S2) is closed, the output relay is energized. Timing begins when the S2 switch opens. At the end of the delay time (T), the output is de-energized and the timer is ready for another cycle. Isolate the initiate switch (S2) from another circuit.

Function H: The output relay is energized when the input power (S1) is applied. At the end of the delay time, the output relay is de-energized. The timer is reset when the input power is removed.

SPECIFICATIONS:

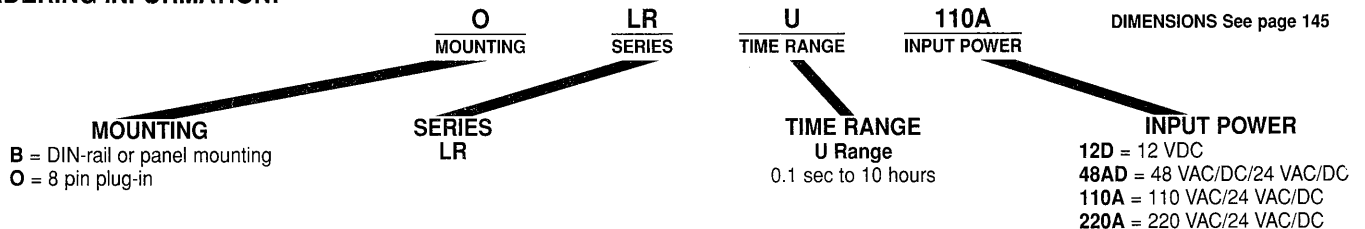
Input Power	220 VAC/24 VAC/DC, 110 VAC/24VAC/DC	
	48 VAC/DC/24VAC/DC, 12 VDC±15%, 50/60 Hz	
Max. power consumption	24 VAC: 1VA	12 VDC: 0.5W
	48 VAC: 1.2VA	24 VDC: 0.6W
	110 VAC: 3.5VA	48 VDC: 1.2W
	220 VAC: 7VA	
Output	SPDT Relay	
Contact material	Ag Cdo	
Maximum loading	10A AC resistive	8A DC
Max. switching voltage	250 VAC	250 VDC
Relay max. power rating	2200 VA	80W
Mechanical life of relay	3 x 10 ⁶ operations	
Electrical life of relay	2 x 10 ⁶ operations at 2200 VAC resistive load	
Repeat accuracy	±0.2% at a constant ambient	
Reset time	Function A: 50ms during timing or 25ms after.	
	Function B & C: 50ms during timing.	
	Minimum contact closure time: 20ms.	
	Function H: 30ms after, 25ms during timing.	
Operating temperature	-4°F to +140°F	-20°C to +60°C
Weight	2.8 oz. (80 grams)	

WIRING DIAGRAM:

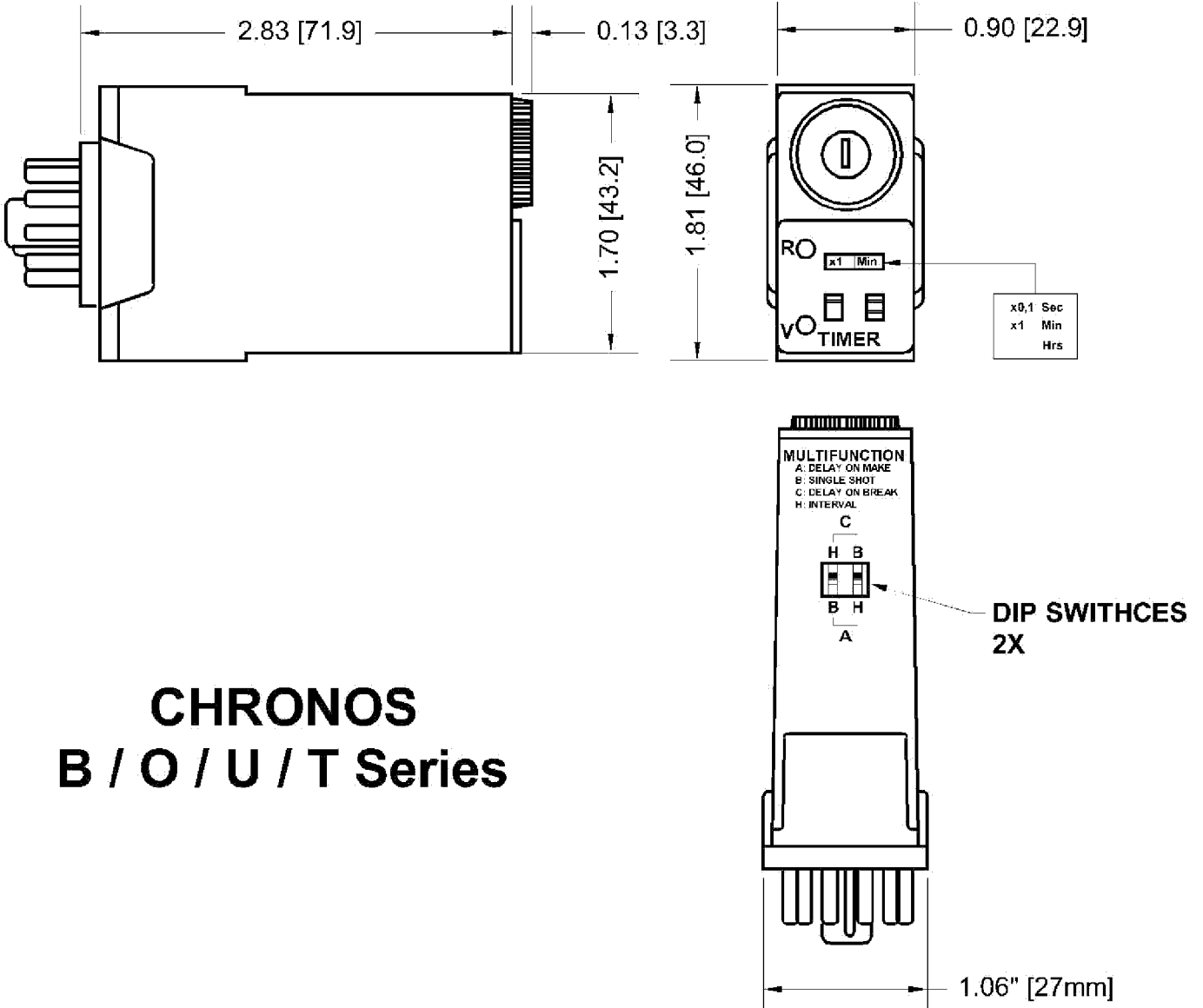


The initiate switch should be isolated from the other circuits. Contact will operate on the same supply as the timer and will have a max. load of 5ma. For 24 VAC/DC, select switch on the side of the unit.

ORDERING INFORMATION:



SYRELEC / CROUZET CHRONOS SERIES TIME DELAY RELAYS



CHRONOS B / O / U / T Series

Products and specifications subject to change without notice.
Consult factory for application assistance.