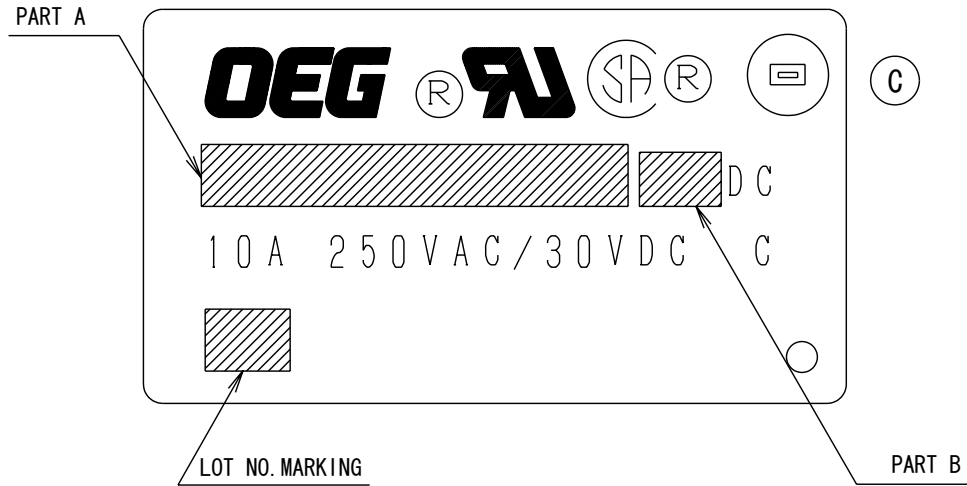
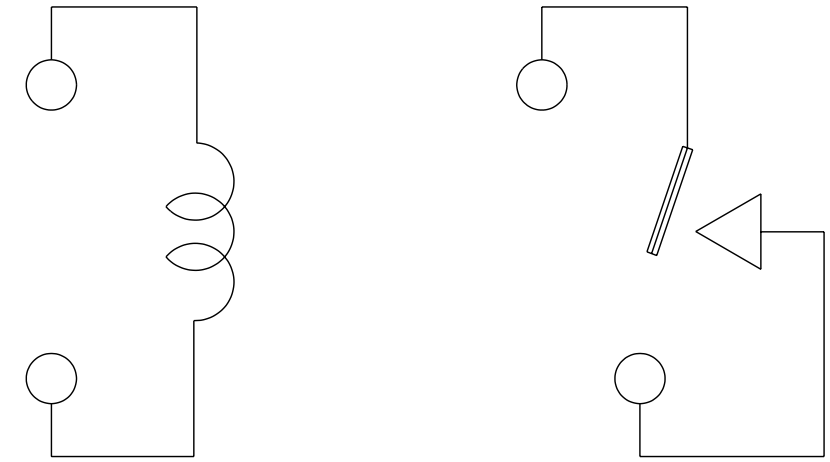
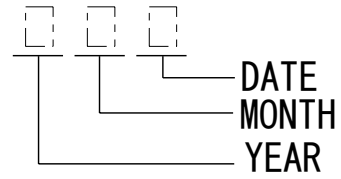


THIS DRAWING IS UNPUBLISHED. RELEASED FOR PUBLICATION
 © COPYRIGHT BY TYCO ELECTRONICS CORPORATION. ALL RIGHTS RESERVED.

LOC	DIST	REVISIONS 変更						
		P	LTR	DESCRIPTION	ECO	DATE	DWN	APVD
HH			C	MODIFY VENT HOLE&ADD NOTE	ECO-06-008136	24-MAR-06	F. B	HSU



NOTE:
 1. LOT NO SYSTEM AS FOLLOWS:



CONNECTION FIGURE

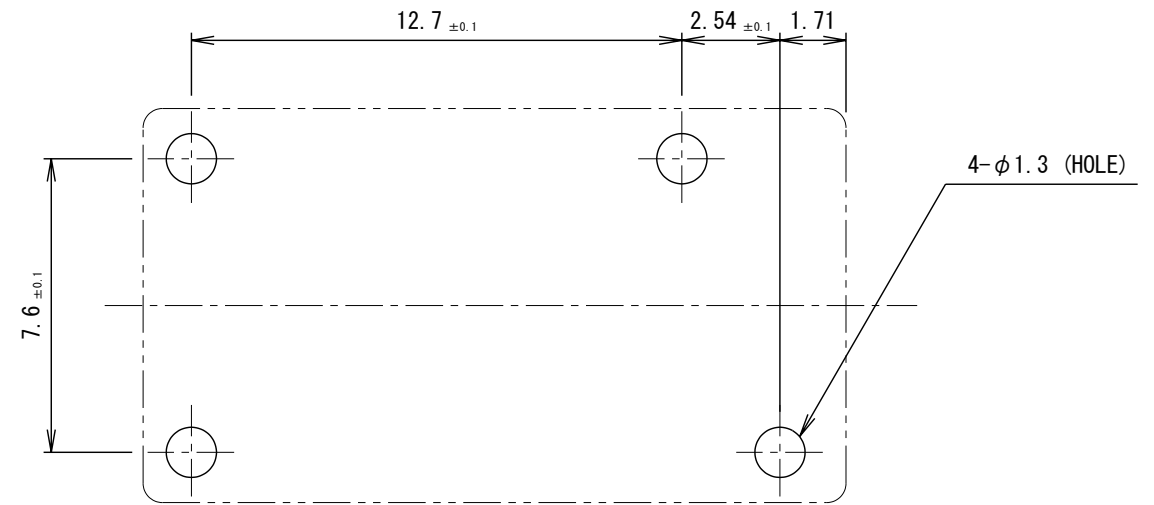
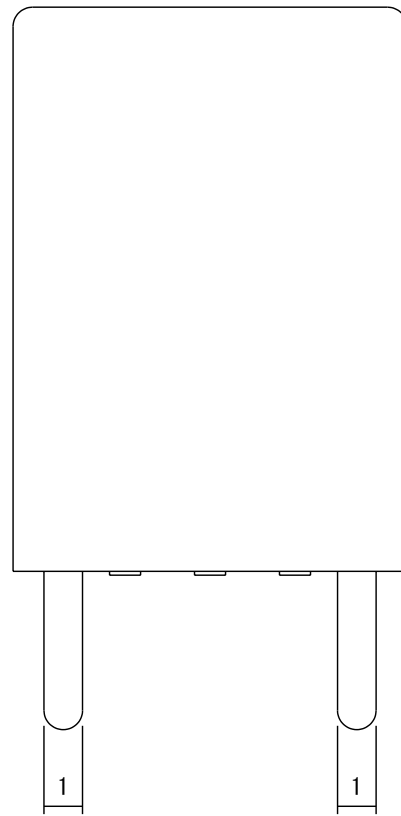
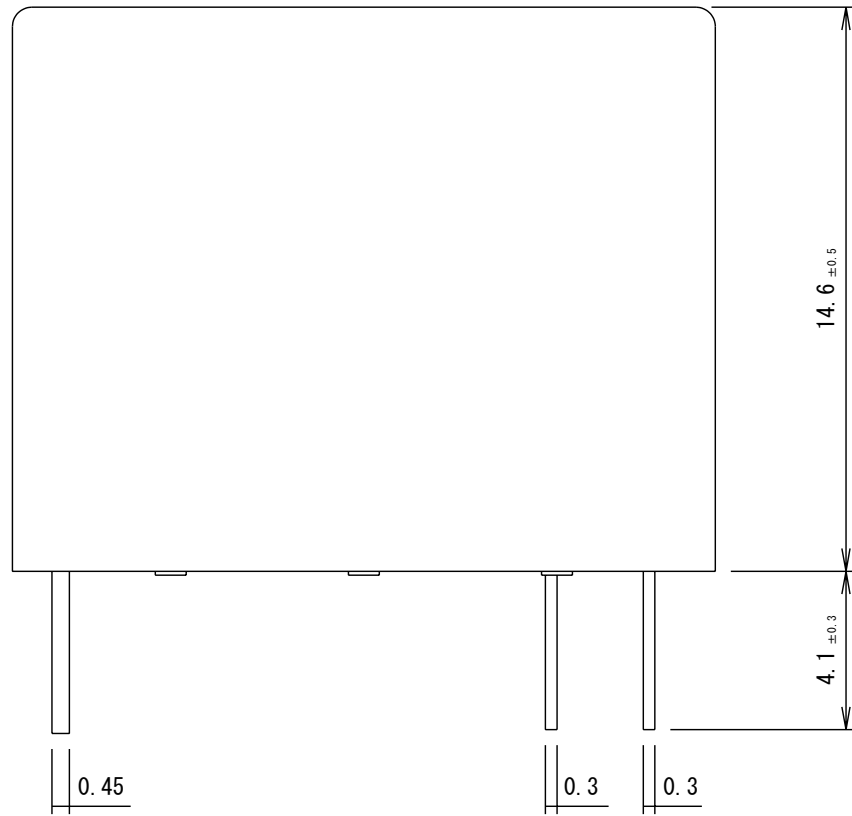
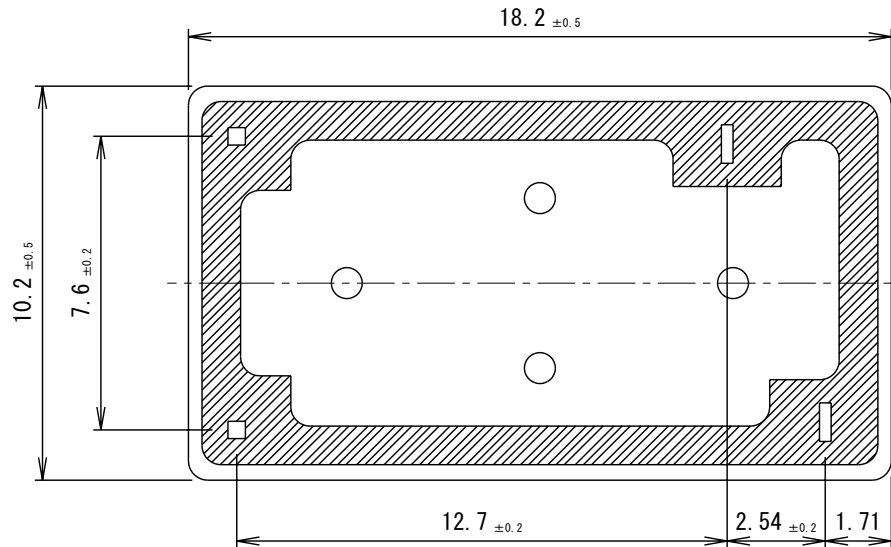


FIGURE FOR PRINTED CIRCUIT BOARD PROCESSING
 (BOTTOM VIEW)



THIS DRAWING IS A CONTROLLED DOCUMENT FOR TYCO ELECTRONICS CORPORATION IT IS SUBJECT TO CHANGE AND THE CONTROLLING ENGINEERING ORGANIZATION SHOULD BE CONTACTED FOR THE LATEST REVISION.		DWN	H. SASAKI	tyco Tyco Electronics EC K.K. Tochigi, Japan
DIMENSIONS: 単位: 耗 mm		CHK	Y. OIKAWA	
TOLERANCES UNLESS OTHERWISE SPECIFIED:		APVD	A. NAGAI	NAME 名称
0 PLC ± 1 PLC ± 2 PLC ± 3 PLC ± 4 PLC ± ANGLES ±		PRODUCT SPEC 製品規格	SEE SPEC TABLE	OJ-SS-HM SPEC, 000
MATERIAL 材料		APPLICATION SPEC 取付適用規格		RESTRICTED TO
FINISH 仕上		WEIGHT		SIZE A3
CUSTOMER DRAWING		DRAWING NO 番号 1461077		CAGE CODE 00779
		SCALE 尺度 5:1		SHEET 1 OF 2
		REV C		

4

3

2

1

THIS DRAWING IS UNPUBLISHED. RELEASED FOR PUBLICATION
 © COPYRIGHT BY TYCO ELECTRONICS CORPORATION. ALL RIGHTS RESERVED.

LOC	DIST	REVISIONS 変更						
		P	LTR	DESCRIPTION	ECN	DATE	DWN	APVD
HH								

1461077-6	OJ-SS-148HM, 000	108-79781	48V	OJ-SS-148HM	g
1440007-2	OJ-SS-124HM, 000	108-79780	24V	OJ-SS-124HM	f
1419135-3	OJ-SS-112HM, 000	108-79779	12V	OJ-SS-112HM	e
1461077-4	OJ-SS-109HM, 000	108-79778	9V	OJ-SS-109HM	d
1461077-3	OJ-SS-106HM, 000	108-79777	6V	OJ-SS-106HM	c
1461077-2	OJ-SS-105HM, 000	108-79776	5V	OJ-SS-105HM	b
1461077-1	OJ-SS-103HM, 000	108-79775	3V	OJ-SS-103HM	a
AMP PART NO	EC TYPE NAME	PRODUCT SPEC	PART B	PART A	TYPE

RELAY TYPE

AR	AR	AR	AR	AR	AR	AR	AR			EPOXY RESIN	SEEL (BASE & BOBBIN)	ITEM
1	1	1	1	1	1	1	1			3UEW	MAGNETIC WIRE	14
1	1	1	1	1	1	1	1	94V-0		P. B. T	CASE	13
1	1	1	1	1	1	1	1	94V-0		P. B. T	BASE	12
1	1	1	1	1	1	1	1	94V-0		P. B. T	BOBBIN	11
2	2	2	2	2	2	2	2		SOLDER DIP	C. P WIRE	COIL TERMINAL	10
1	1	1	1	1	1	1	1	94V-0		P. P. S	CARD	9
1	1	1	1	1	1	1	1			Ag ALLOY	MOVABLE CONTACT	8
1	1	1	1	1	1	1	1			Ag	NO. CONTACT	7
1	1	1	1	1	1	1	1			STEEL	HINGE SPRING	6
1	1	1	1	1	1	1	1		SOLDER DIP	PBP	NO. TERMINAL	5
1	1	1	1	1	1	1	1		SOLDER DIP	Cu ALLOY	MOVABLE SPRING	4
1	1	1	1	1	1	1	1		NIP	STEEL	CORE	3
1	1	1	1	1	1	1	1		NIP	STEEL	ARMATURE	2
1	1	1	1	1	1	1	1		NIP	STEEL	YOKE	1
g	f	e	d	c	b	a		INCOMBUSTIBILITY	TREATMENT	MATERIAL	DESCRIPTION	ITEM

THIS DRAWING IS A CONTROLLED DOCUMENT FOR TYCO ELECTRONICS CORPORATION
 IT IS SUBJECT TO CHANGE AND THE CONTROLLING ENGINEERING ORGANIZATION
 SHOULD BE CONTACTED FOR THE LATEST REVISION.

tyco Tyco Electronics EC K. K.
Electronics Tochigi, Japan

NAME
 名称
 OJ-SS-HM SPEC, 000

SIZE **A3** CAGE CODE **00779** DRAWING NO 番号 **1461077** RESTRICTED TO

DWN
 CHK
 APVD
 PRODUCT SPEC 製品規格
 APPLICATION SPEC 取付通用規格
 WEIGHT
 CUSTOMER DRAWING

SCALE 尺度 SHEET 2 OF 2 REV C

DIMENSIONS: 単位: 寸	TOLERANCES UNLESS OTHERWISE SPECIFIED:
	0 PLC ±
	1 PLC ±
	2 PLC ±
	3 PLC ±
	4 PLC ±
MATERIAL 材料	FINISH 仕上