

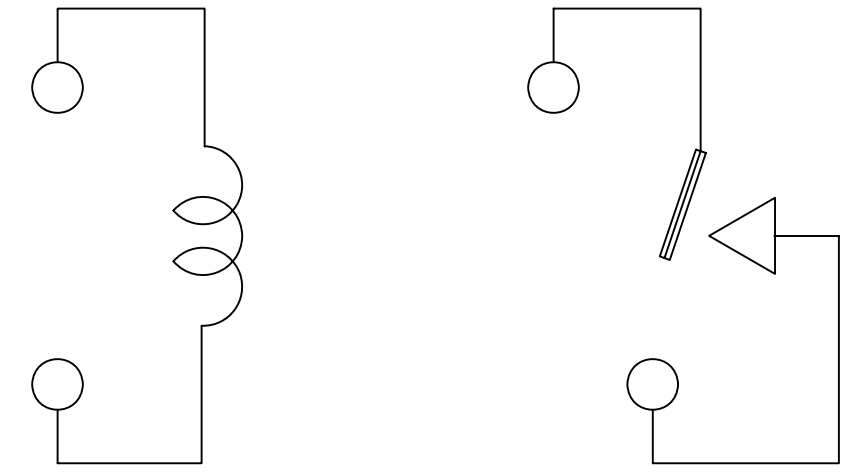
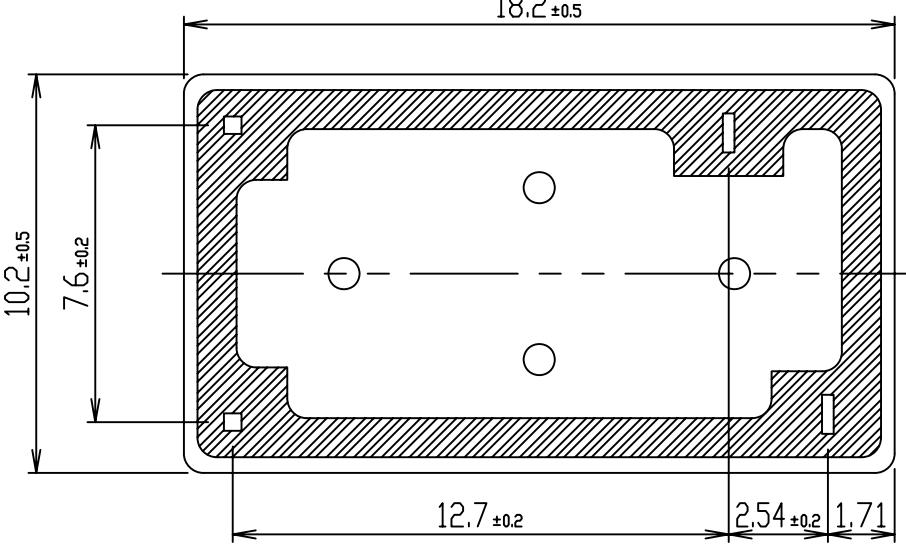
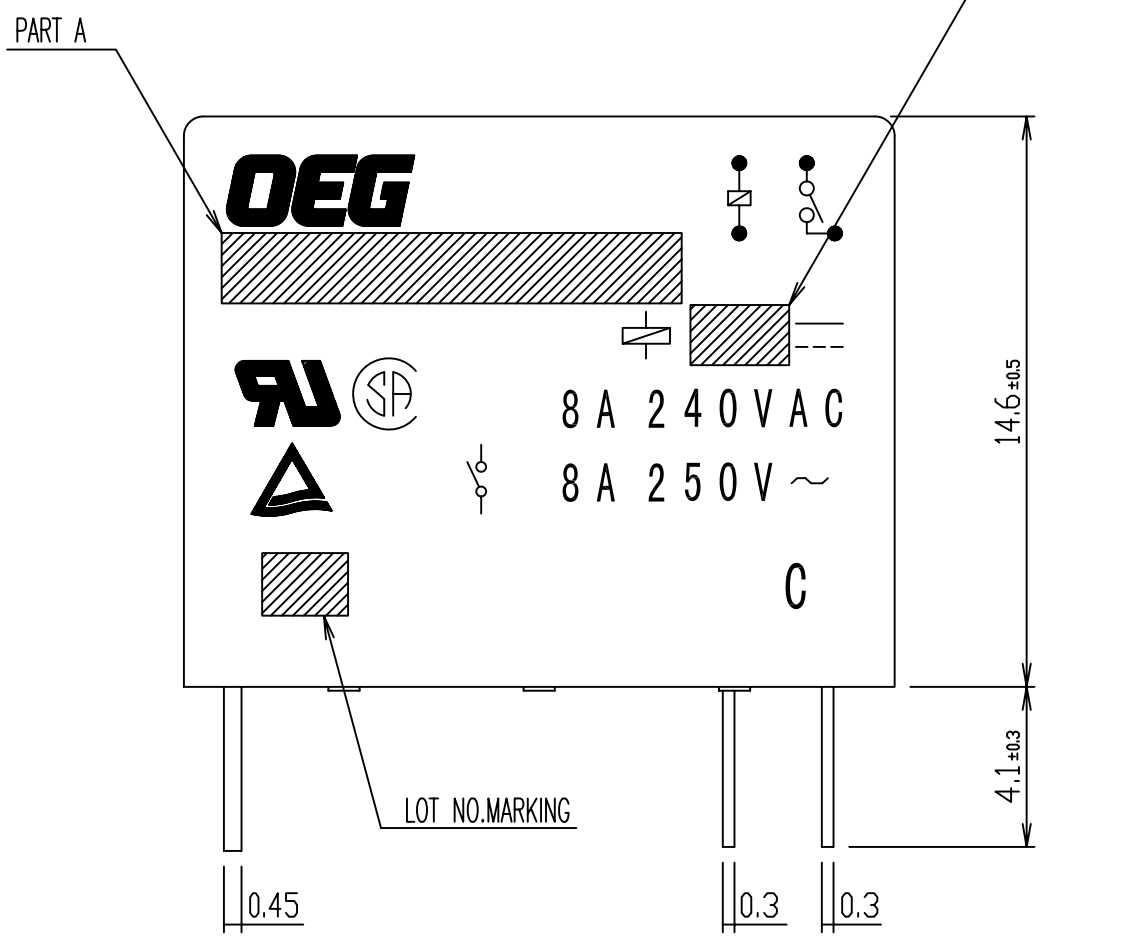
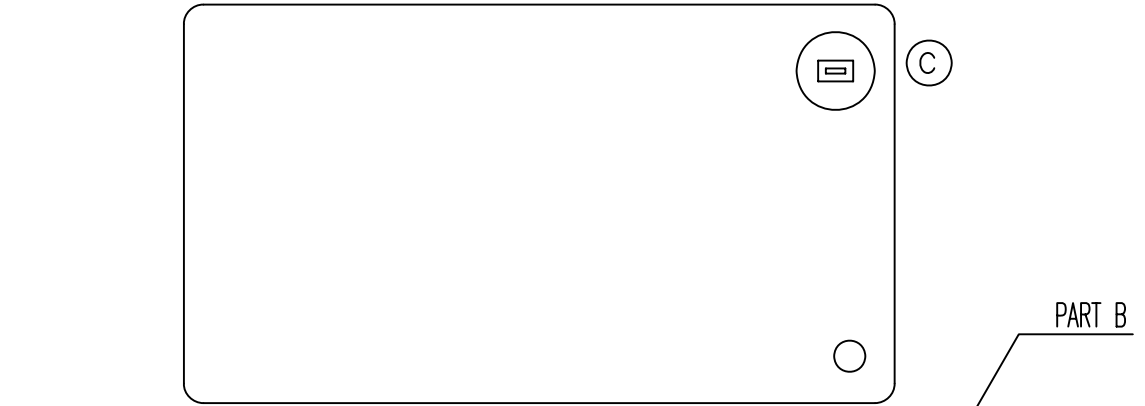
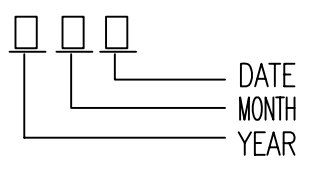
THIS DRAWING IS UNPUBLISHED. RELEASED FOR PUBLICATION  
 © COPYRIGHT BY TYCO ELECTRONICS CORPORATION. ALL RIGHTS RESERVED.

LOC HH  
 DIST

REVISIONS  
変更

P	LTR	DESCRIPTION	ECN	DATE	DWN	APVD
	0	RELEASE	FK00-0104-04	21-JUN-04	H.S	A.N
	C	MODIFY VENT HOLE&ADD NOTE	ECO-06-008136	15-FEB-06	JG	HSU

© NOTES:  
 1.LOT NUMBERING SYSTEM AS FOLLOWS:



CONNECTION FIGURE

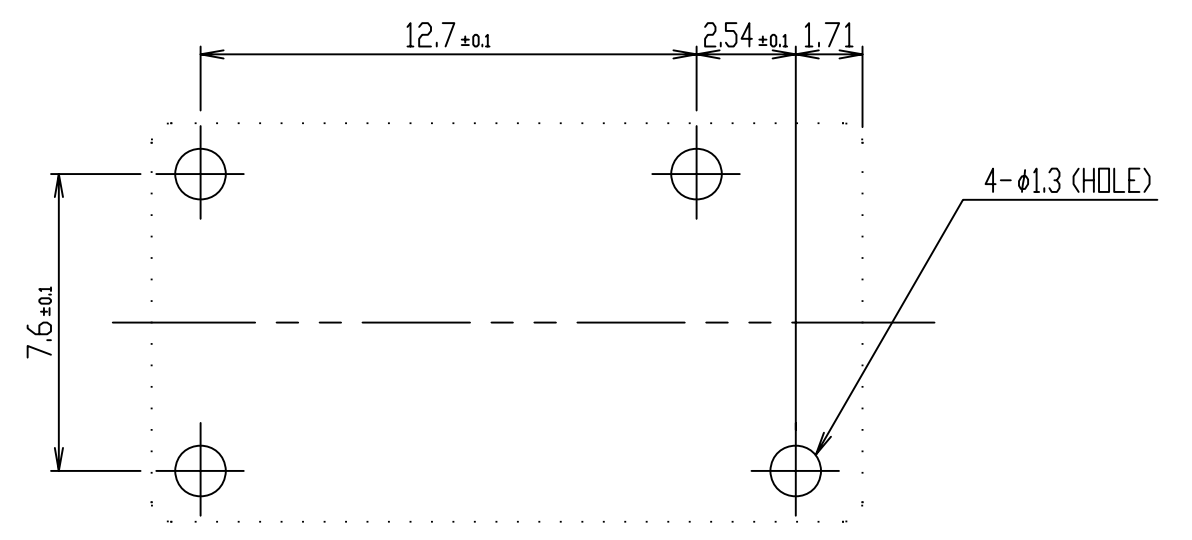


FIGURE FOR PRINTED CIRCUIT BOARD PROCESSING  
 (BOTTOM VIEW)

THIS DRAWING IS A CONTROLLED DOCUMENT FOR TYCO ELECTRONICS CORPORATION IT IS SUBJECT TO CHANGE AND THE CONTROLLING ENGINEERING ORGANIZATION SHOULD BE CONTACTED FOR THE LATEST REVISION.		DWN	H.SASAKI		Tyco Electronics EC K.K. Tochigi, Japan
DIMENSIONS: 単位: 耗 mm		CHK	Y.OIKAWA		
TOLERANCES UNLESS OTHERWISE SPECIFIED: 0 PLC ± 1 PLC ± 2 PLC ± 3 PLC ± 4 PLC ± ANGLES ±		APVD	A.NAGAI		NAME 名称
MATERIAL 材料		PRODUCT SPEC	SEE PRODUCT SPEC		OJ-SS-LMH SPEC,000
FINISH 仕上		APPLICATION SPEC	取付適用規格		SIZE
		WEIGHT	A3	CAGE CODE 00779	DRAWING NO 番号 1461080
		CUSTOMER DRAWING		SCALE 尺度	RESTRICTED TO
				5:1	SHEET 1 OF 2
					REV C


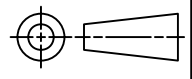
THIS DRAWING IS UNPUBLISHED. RELEASED FOR PUBLICATION  
 © COPYRIGHT BY TYCO ELECTRONICS CORPORATION. ALL RIGHTS RESERVED.

LOC HH	DIST	REVISIONS 変更						
		P	LTR	DESCRIPTION	ECN	DATE	DWN	APVD

4-1419144-4	OJ-SS-124LMH, 000	108-79081	24V	OJ-SS-124LMH	g
1-1461080-1	OJ-SS-118LMH, 000	—	18V	OJ-SS-118LMH	f
2-1419129-5	OJ-SS-112LMH, 000	108-79080	12V	OJ-SS-112LMH	e
1461080-3	OJ-SS-109LMH, 000	108-79079	9V	OJ-SS-109LMH	d
4-1419144-0	OJ-SS-106LMH, 000	108-79078	6V	OJ-SS-106LMH	c
1461080-2	OJ-SS-105LMH, 000	108-79077	5V	OJ-SS-105LMH	b
1461080-1	OJ-SS-103LMH, 000	108-79076	3V	OJ-SS-103LMH	a
AMP PART NO	EC TYPE NAME	PRODUCT SPEC	PART B	PART A	TYPE

RELAY TYPE

AR	AR	AR	AR	AR	AR	AR			EPOXY RESIN	SEEL (BASE & BOBBIN)	15
1	1	1	1	1	1	1			3UEW	MAGNETIC WIRE	14
1	1	1	1	1	1	1	94V-0		P.B.T	CASE	13
1	1	1	1	1	1	1	94V-0		P.B.T	BASE	12
1	1	1	1	1	1	1	94V-0		P.B.T	BOBBIN	11
2	2	2	2	2	2	2		SOLDER DIP	C.P WIRE	COIL TERMINAL	10
1	1	1	1	1	1	1	94V-0		P.P.S	CARD	9
1	1	1	1	1	1	1			Ag ALLOY	MOVABLE CONTACT	8
1	1	1	1	1	1	1			Ag ALLOY	NO.CONTACT	7
1	1	1	1	1	1	1			STEEL	HINGE SPRING	6
1	1	1	1	1	1	1		SOLDER DIP	Cu ALLOY	NO.TERMINAL	5
1	1	1	1	1	1	1		SOLDER DIP	Cu ALLOY	MOVABLE SPRING	4
1	1	1	1	1	1	1		NIP	STEEL	CORE	3
1	1	1	1	1	1	1		NIP	STEEL	ARMATURE	2
1	1	1	1	1	1	1		NIP	STEEL	YOKE	1
g	f	e	d	c	b	a	INCOMBUSTIBILITY	TREATMENT	MATERIAL	DESCRIPTION	ITEM

THIS DRAWING IS A CONTROLLED DOCUMENT FOR TYCO ELECTRONICS CORPORATION IT IS SUBJECT TO CHANGE AND THE CONTROLLING ENGINEERING ORGANIZATION SHOULD BE CONTACTED FOR THE LATEST REVISION.		DWN		 Tyco Electronics EC K.K. Tochigi, Japan	
DIMENSIONS: 単位: 耗 mm		CHK			
		APVD		NAME 名称	
TOLERANCES UNLESS OTHERWISE SPECIFIED: 0 PLC ± 1 PLC ± 2 PLC ± 3 PLC ± 4 PLC ± ANGLES ±		PRODUCT SPEC 製品規格		OJ-SS-LMH SPEC,000	
MATERIAL 材料		APPLICATION SPEC 取付適用規格		DRAWING NO 番号	
FINISH 仕上		WEIGHT		RESTRICTED TO	
CUSTOMER DRAWING		SCALE 尺数		SHEET 2 OF 2 REV C	
		SIZE A3		CAGE CODE 00779	
		DRAWING NO 1461080			